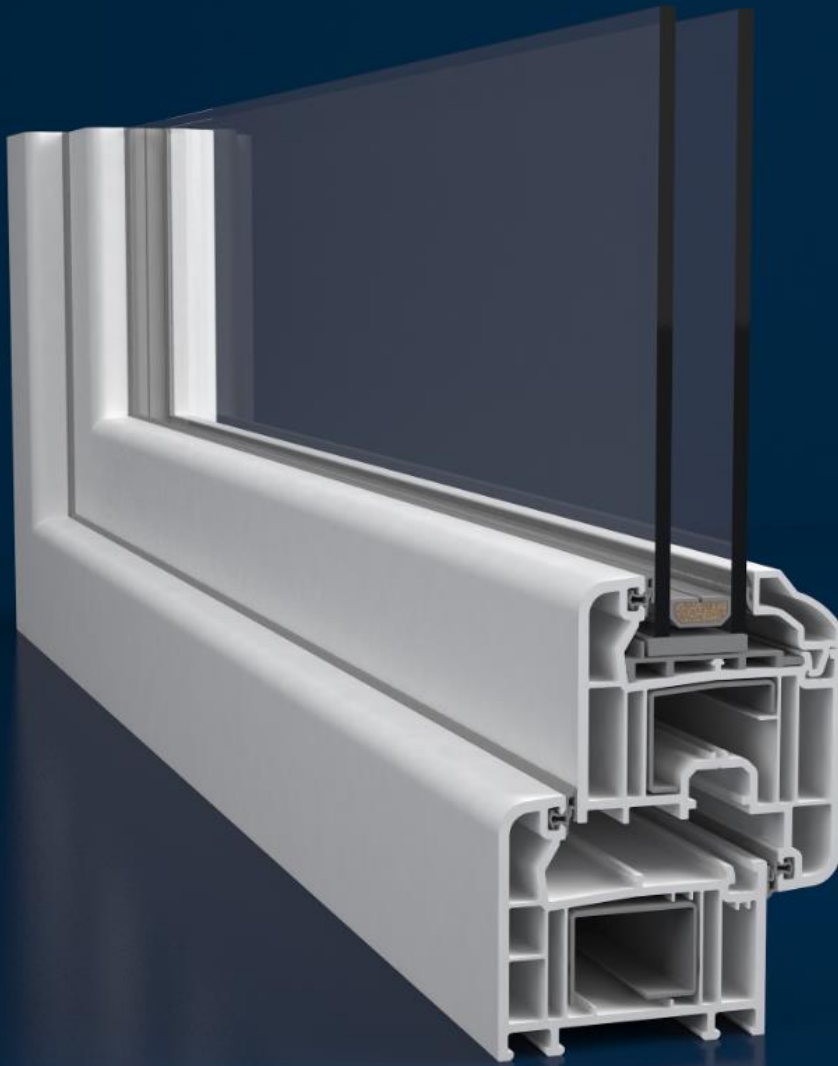




TECHNICAL MANUAL

deceuninck



Technical Manual

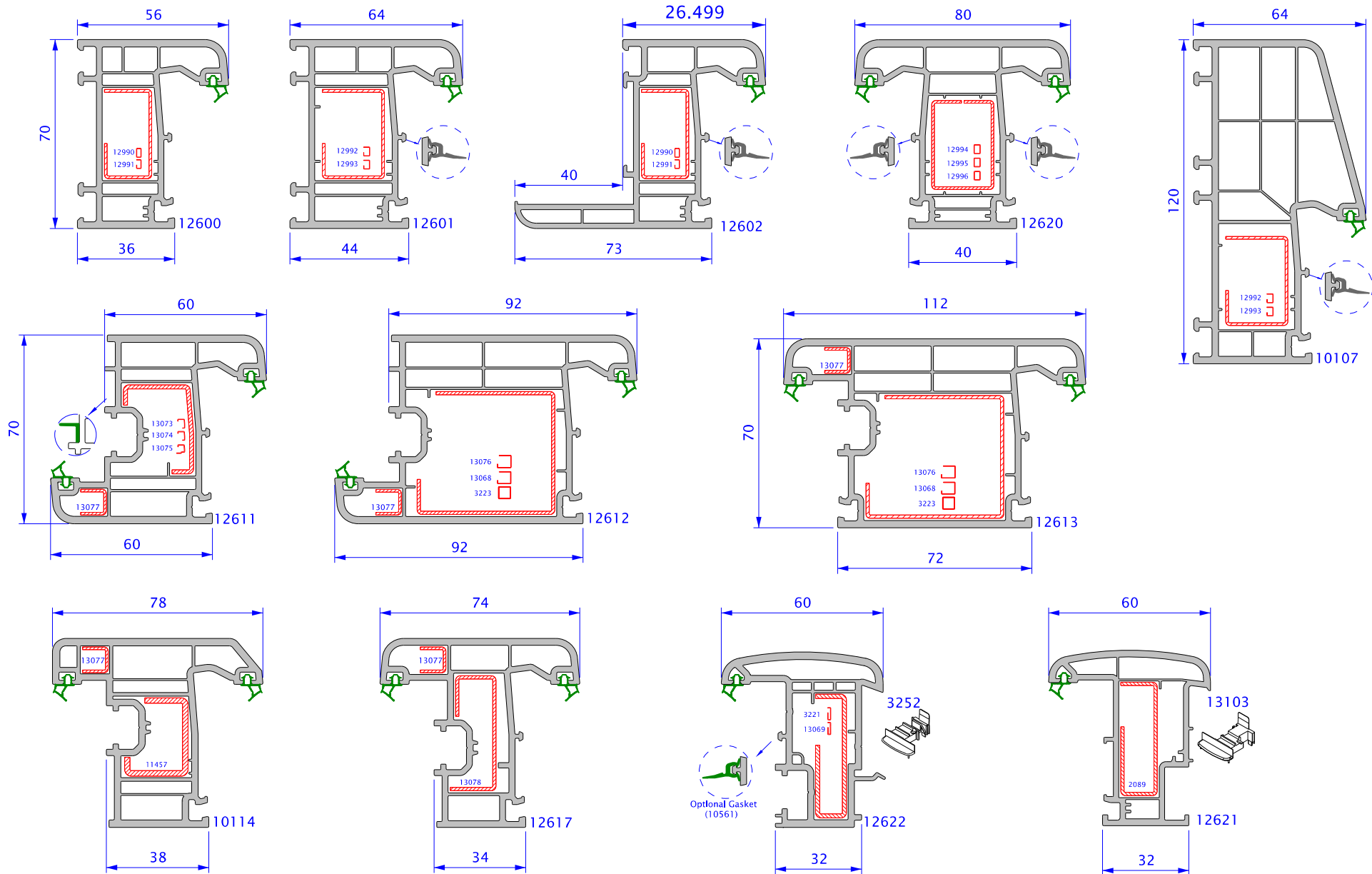
November 2017

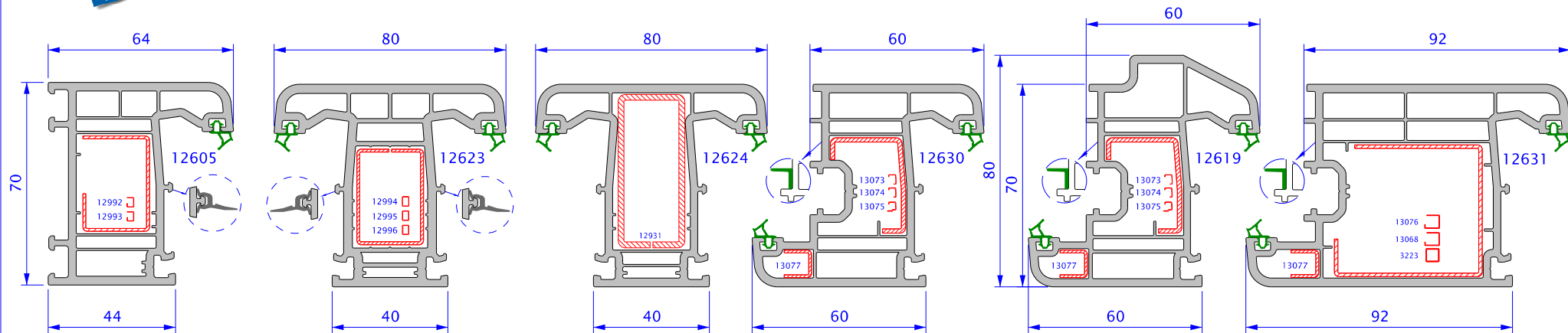
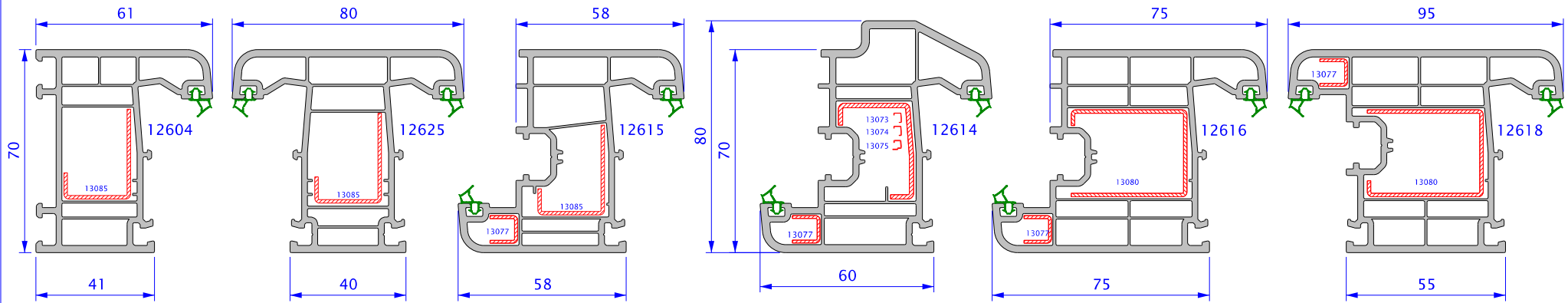


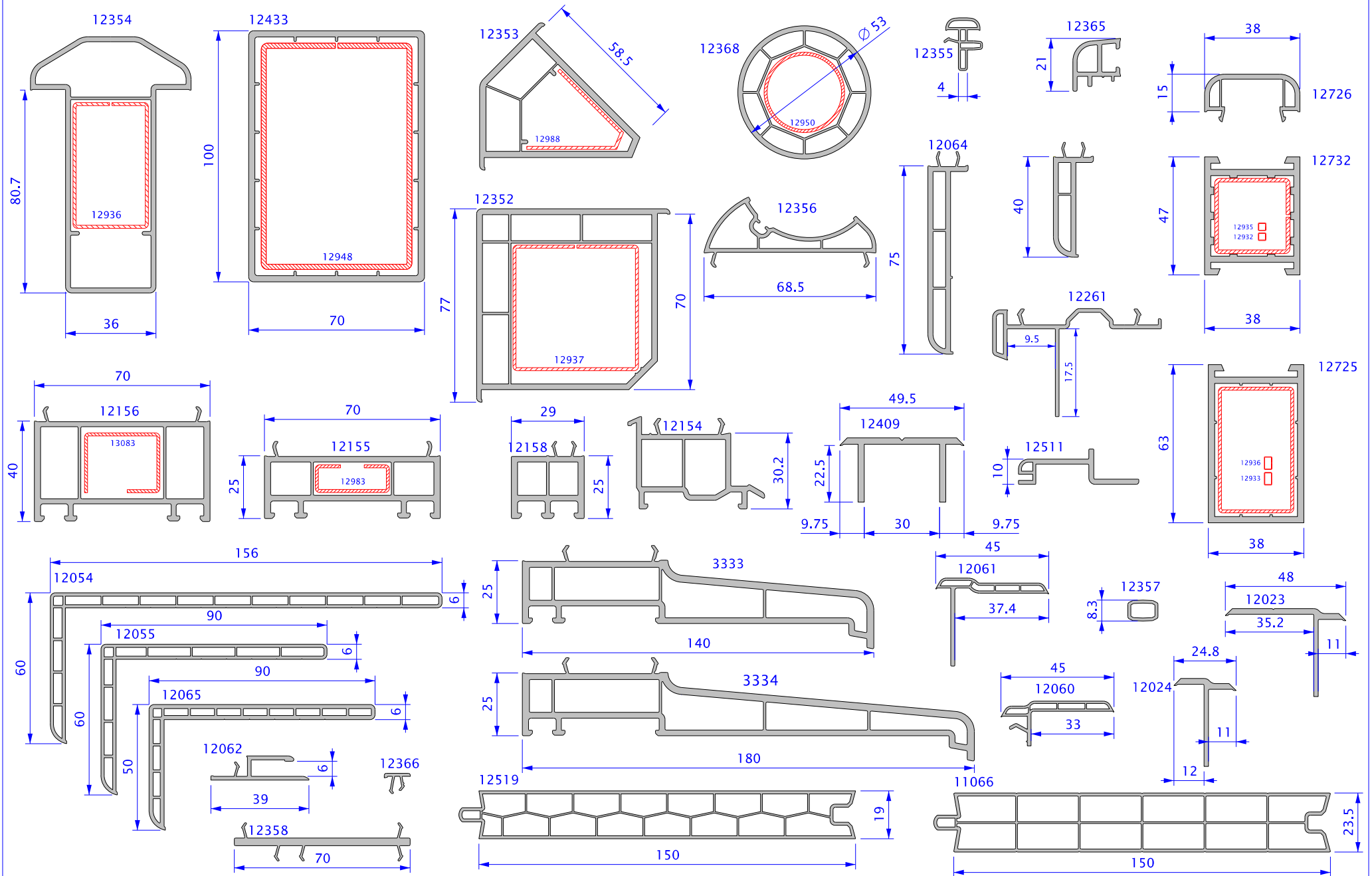
Building a sustainable home

page number

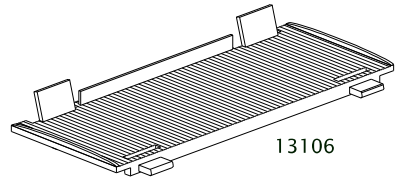
System Overview	1.1 – 1.8
Main profiles	1.1 – 1.2
Accessory profiles	1.3
Accessory products	1.4
Glazing Beads	1.5
Reinforcements	1.6 – 1.8
Main profiles	2.1 – 2.26
Sections	3.1 – 3.123
Cavity Brick Sections	3.124 – 3.125
Brick Veneer Sections	3.126 – 3.130
Details	3.131 – 3.143



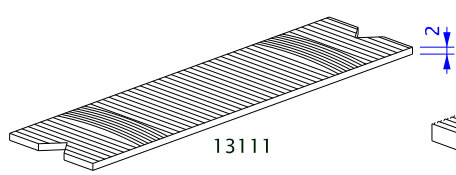




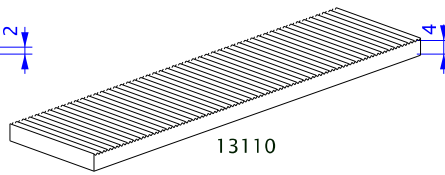
Technical documents are subject to change without notice.



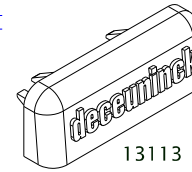
13106



13111



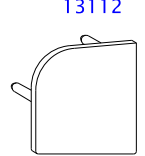
13110



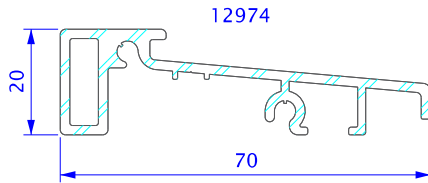
13113



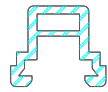
933



13112



12974



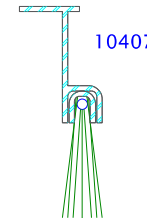
12975



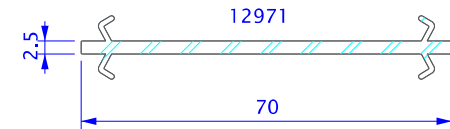
12960



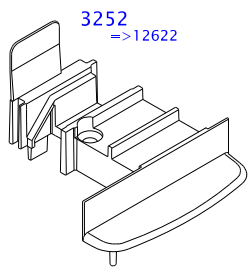
3299



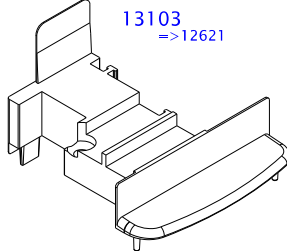
10407



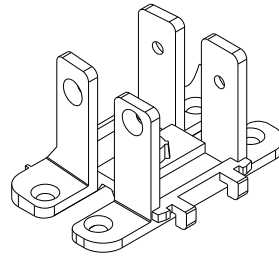
12971



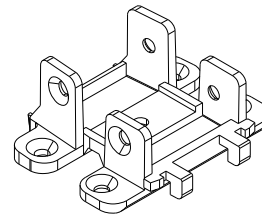
3252
=>12622



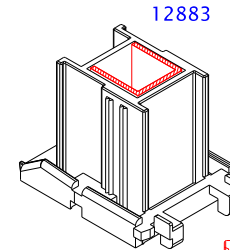
13103
=>12621



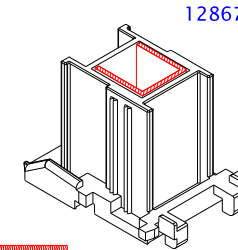
12871



13191

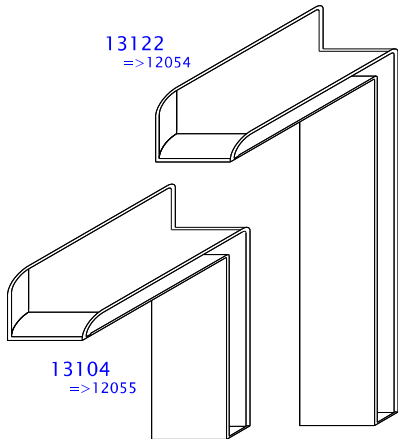


12883

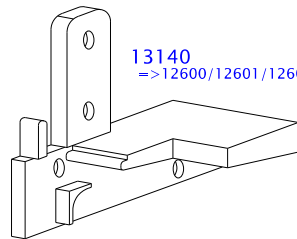


12867

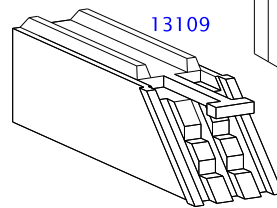
3254
=>3334



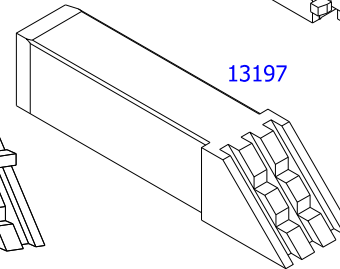
13122
=>12054



13140
=>12600/12601/12604



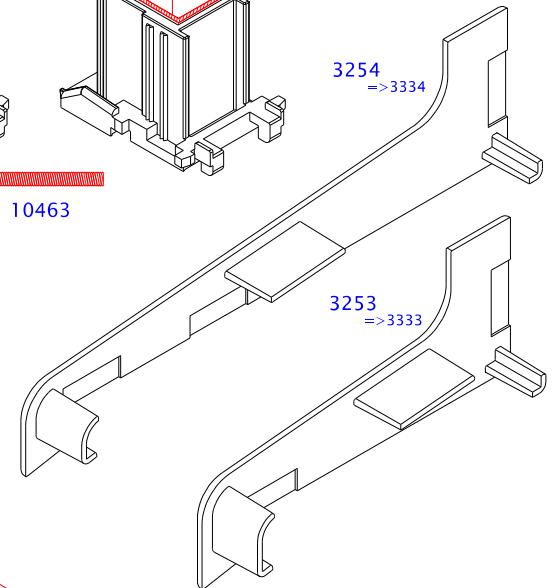
13109



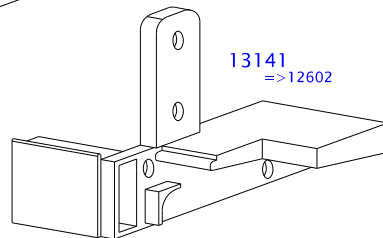
13197



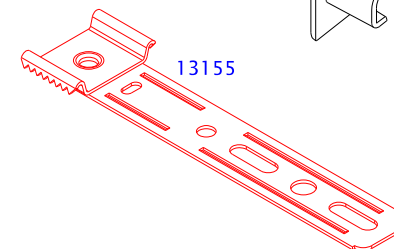
10463



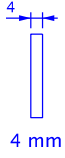
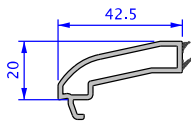
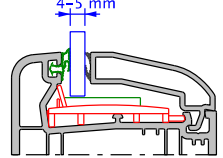
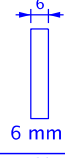
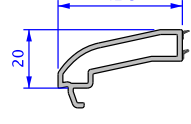
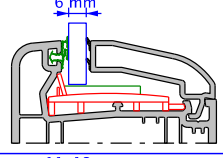
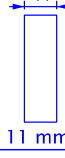
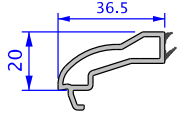
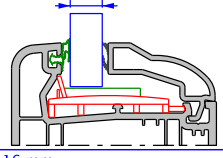
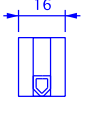
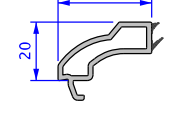
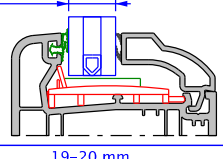
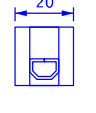
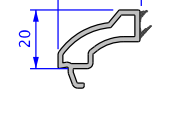
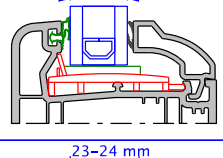
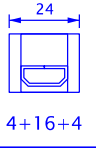
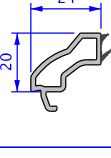
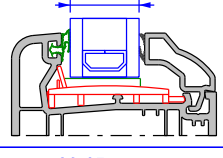
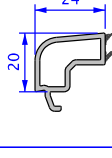
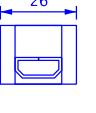
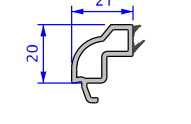
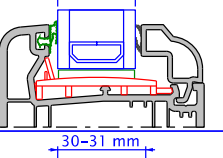
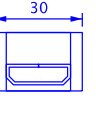
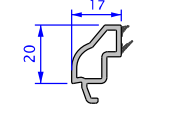
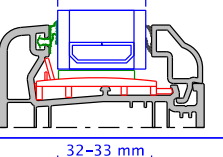
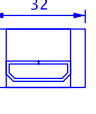
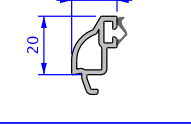
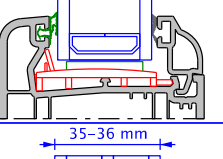
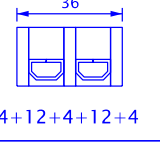
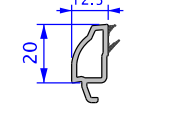
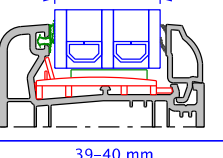
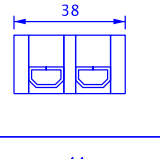
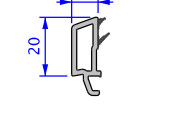
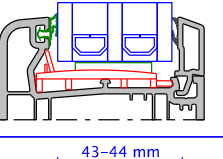
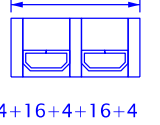
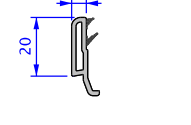
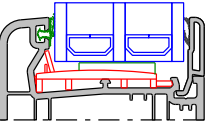
3253
=>3333



13141
=>12602



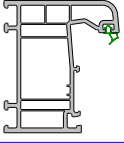

13155

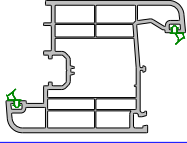


Glass Thickness (mm)		Glazing Beads		Glazing Wedge Applications	
4 mm	 4 mm	12642	 42.5 20	 4-5 mm	
6 mm	 6 mm	12646	 42.5 20	 6 mm	
11 mm	 11 mm	12342	 36.5 20	 11-12 mm	
16 mm	 16 mm	12343	 32 20	 15-16 mm	
20 mm	 20 mm	12641	 28.5 20	 19-20 mm	
24 mm	 4+16+4	12640	 24 20	12645	 23-24 mm
			 24 20		
26 mm	 26 mm	12341	 21 20	 26-27 mm	
30 mm	 30 mm	12340	 17 20	 30-31 mm	
32 mm	 32 mm	12643	 15.5 20	 32-33 mm	
36 mm	 4+12+4+12+4	12650	 12.5 20	 35-36 mm	
38 mm	 38 mm	12648	 9 20	 39-40 mm	
44 mm	 4+16+4+16+4	12649	 5 20	 43-44 mm	

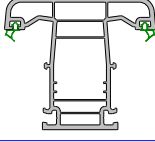



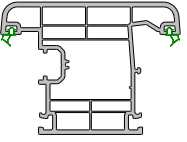


12600		12990	12991		
		17.5x33x1	13x17.5x33x1		
12601		12992	12993	All reinforcements which are used in 12620 transom, can be used for 12601- Zendow Frame L-44	
		13x23x33x1	13x23x33x1.5		
10107		12992	12993	All reinforcements which are used in 12620 transom, can be used for 12601- Zendow Frame L-44	
		13x23x33x1	13x23x33x1.5		
12620		12994	12995	12996	
		23x33x1	23x33x1.5	23x33x2	
12617		13078			
		15x15x42.5x17x1.2			
10114		11457			
		7x23.5x29x16x2			
12621		2089			
		25.5x13.5x42x1.2			
12611		13073	13074	13075	13077
		7.5x26x33x8x1	7.5x26x33x8x1.5	7.5x26x32.3x29.8x2	9.5x9.5x9.5x1
12612		13076	3223	13068	
		44x45.5x51x13x1.2	45x45x2	44x45.5x51x13x2	
12613		13076	3223	13068	13077
		44x45.5x51x13x1.2	45x45x2	44x45.5x51x13x2	9.5x9.5x9.5x1
3086		3238			
		12.6x42.9x1.2			

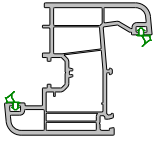




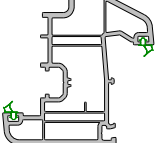




12604		13085		
				
		31x23x9x1.2		

12616		13080	13077	
				
		5.5x40x30x40x1.2 9.5x9.5x9.5x1		


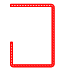

12625		13085		
				
		31x23x9x1.2		

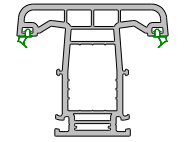



12618		13080	13077	
				
		5.5x40x30x40x1.2 9.5x9.5x9.5x1		

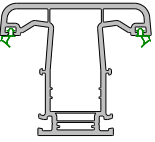

12615		13085	13077	
				
		31x23x9x1.2 9.5x9.5x9.5x1		

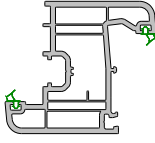




12614		13073	13074	13075	13077
					
		7.5x26x33x8x1 7.5x26x33x8x1.5 7.5x26x32.3x29.8x2 9.5x9.5x9.5x1			

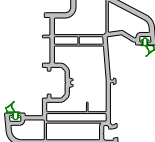






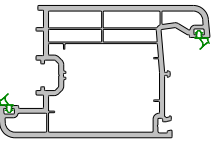

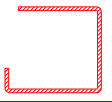
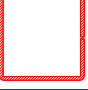
12605		12992	12993	All reinforcements which are used in 12620 transom, can be used for 12601 - Zendow Frame L-44
				
		13x23x33x1 13x23x33x1.5		

12623		12994	12995	12996
				
		23x33x1 23x33x1.5 23x33x2		





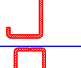
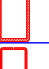

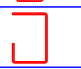
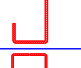
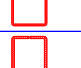
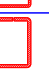


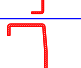


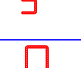
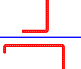
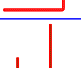

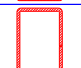
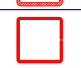


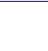
12624		12931		
				
		22x53x2		

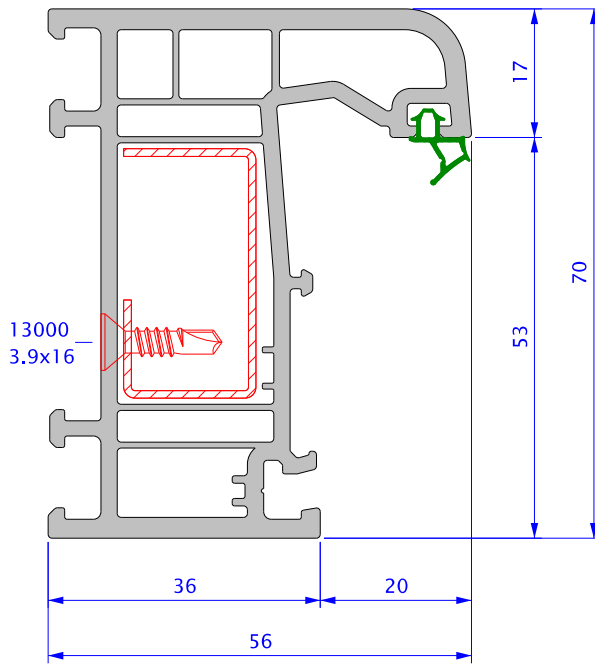
12630		13073	13074	13075	13077
					
		7.5x26x33x8x1 7.5x26x33x8x1.5 7.5x26x32.3x29.8x2 9.5x9.5x9.5x1			

12619		13073	13074	13075	13077
					
		7.5x26x33x8x1 7.5x26x33x8x1.5 7.5x26x32.3x29.8x2 9.5x9.5x9.5x1			

12631		13076	13068	3223
				
		44x45.5x51x13x1.2 44x45.5x51x13x2 45x45x2		

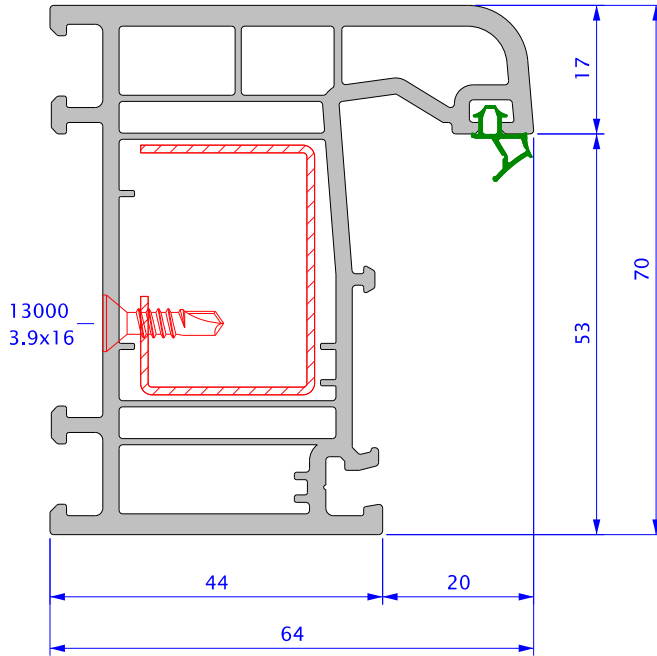
Material : Reinforcement

P number	Drawing	Dimension	Ix (cm ⁴)	Iy (cm ⁴)	PVC Profile
2089		25.5x13.5x42x1.2	2.1693	0.3219	12621
3221		11.4x45.8x26.9x1.5	2.9094	0.2685	12622
3223		45x45x2	10.2908	10.2908	12612-12613
3238		12.6x42.9x1.2	2.4692	0.3449	3086
11457		7x23.5x29x16x2	1.6692	0.7637	10114
12931		23x53x2	9.3974	2.5052	12624
12990		17.5x33x1	1.3215	0.4993	12600-12602-12603
12991		13x17.5x33x1	1.2182	0.3424	12600-12602-12603
12992		13x23x33x1	1.5018	0.6595	12601-12605
12993		13x23x33x1.5	2.1375	0.9298	12601-12605
12994		23x33x1	1.6032	0.9317	12620-12623
12995		23x33x1.5	2.2665	1.3060	12620-12623
12996		23x33x2	2.8457	1.6258	12620-12623
13068		44x45.5x51x13x2	10.39	8.72	12612
13069		11.4x45.8x26.9x1.5	3.7369	0.3247	12622
13073		7.5x26x33x8x1	0.9838	0.5612	12611-12614-12619
13074		7.5x26x33x8x1.5	1.3871	0.7828	12611-12614-12619
13075		7.5x26x32.3x29.8x2	2.6356	1.4245	12611-12614-12619
13076		44x45.5x51x13x1.2	6.5850	5.5342	12612-12613
13077		9.5x9.5x9.5x1	0.0362	0.0230	12610-12611-12613 12614-12615-12616
13078		15x15x42.5x17x1.2	2.4966	0.3479	12617
13080		5.5x40x30x40x1.2	2.2340	2.4422	12616
13085		31x23x9x1.2	0.6503	0.5283	12604-12615
12936		50x30x1.2	6.3061	2.8487	12725 - 12354
12933		50x30x2	9.8511	4.3843	12725 - 12354
12935		30x30x1.2	2.2523	2.2216	12732
12932		30x30x2	2.8334	2.7937	12732



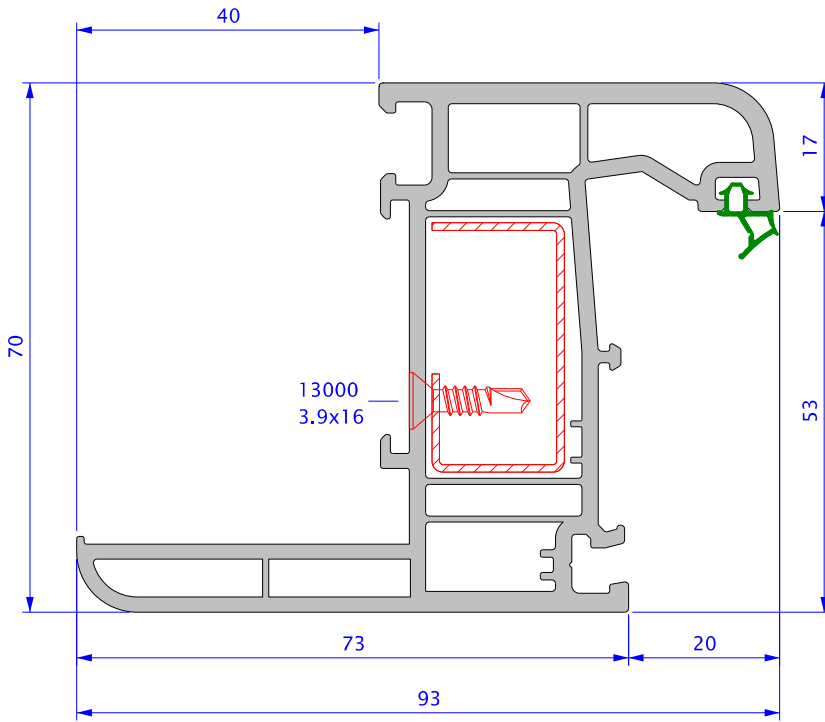
12600	
Ix (cm ⁴)	Iy (cm ⁴)
47.21	17.10

Reinforcement	s (mm)	Ix (cm ⁴)	Iy (cm ⁴)
12990 17.5x33	1.0	1.32	0.49
12991 13x17.5x33x17.5	1.0	1.21	0.34



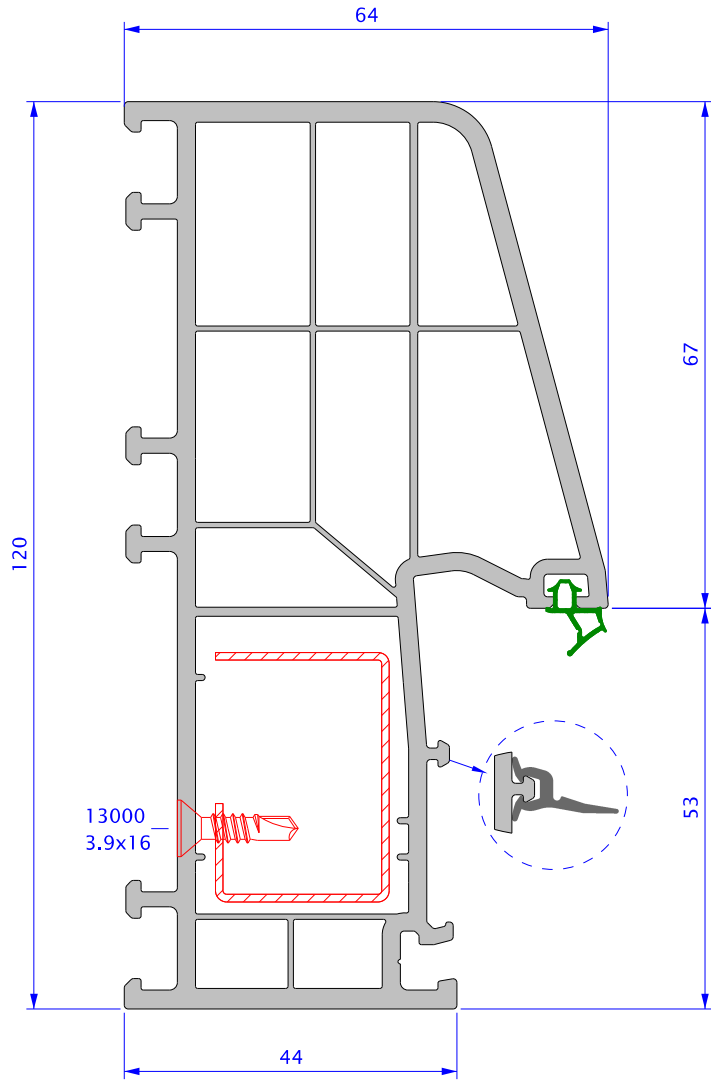
12601	
Ix (cm ⁴)	Iy (cm ⁴)
53.42	26.16

Reinforcement		s (mm)	Ix (cm ⁴)	Iy (cm ⁴)
12992 13x23x33x23		1.0	1.50	0.65
12993 13x23x33x23		1.5	2.13	0.92
12994 23x33		1.0	1.50	0.93
12995 23x33		1.5	2.26	1.30
12996 23x33		2.0	2.84	1.62

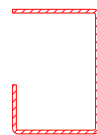
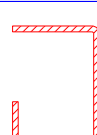


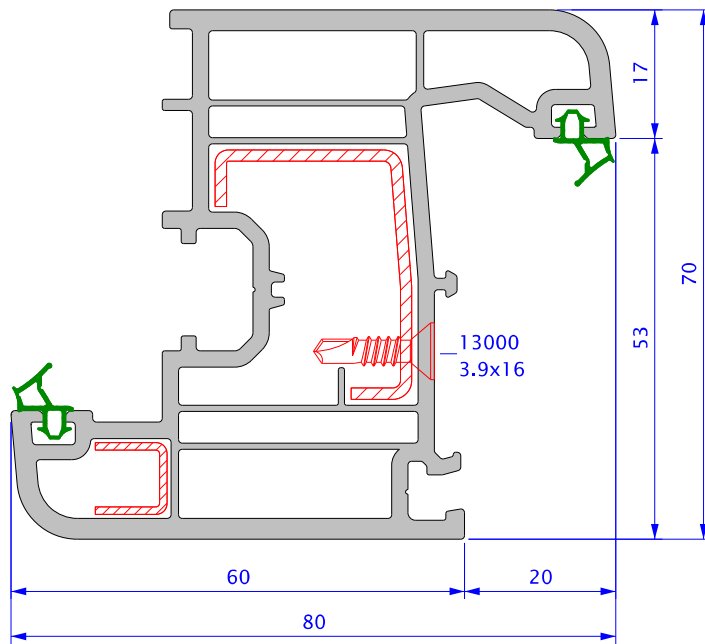
12602	
I _x (cm ⁴)	I _y (cm ⁴)
60.62	41.65

Reinforcement		s (mm)	I _x (cm ⁴)	I _y (cm ⁴)
12990 17.5x33		1.0	1.32	0.49
12991 13x17.5x33x17.5		1.0	1.21	0.34

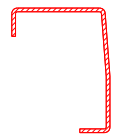
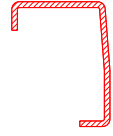
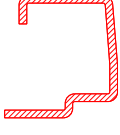



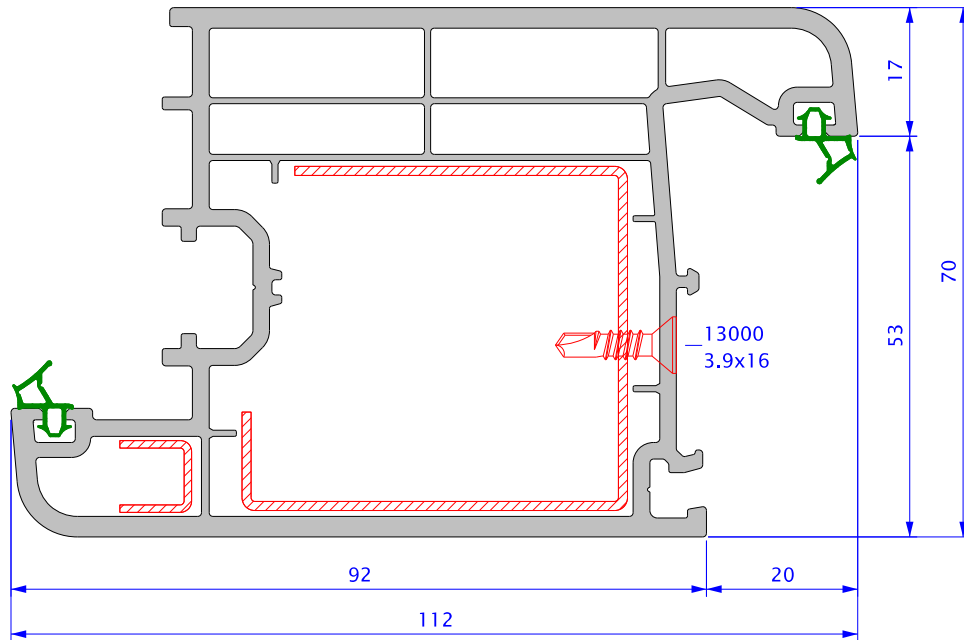
10107	
Ix (cm ⁴)	Iy (cm ⁴)
180.39	41.07

Reinforcement	s (mm)	Ix (cm ⁴)	Iy (cm ⁴)
12992 13x23x33x23 	1.0	1.50	0.65
12993 13x23x33x23 	1.5	2.13	0.92



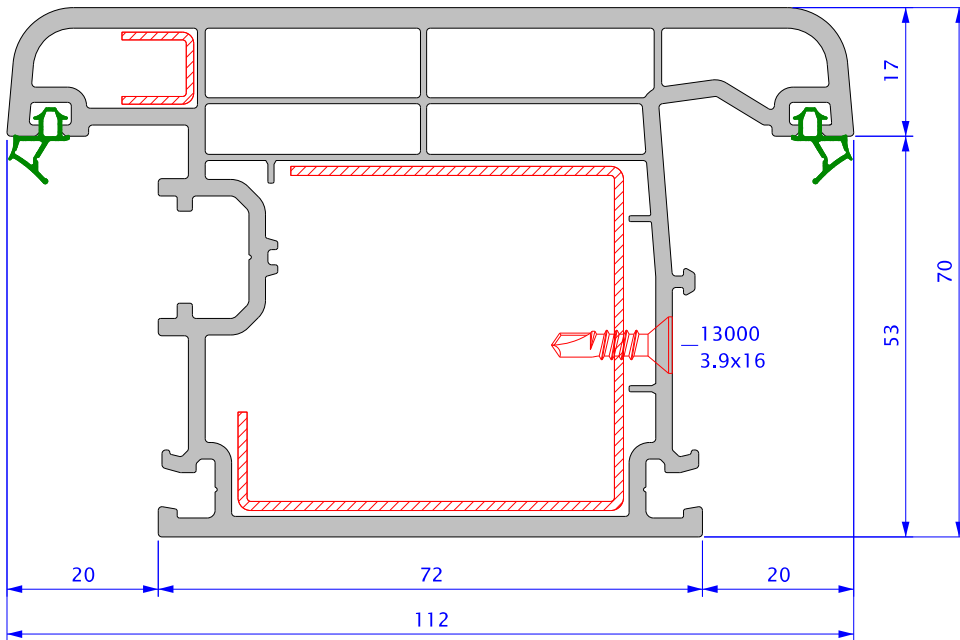
12611	
Ix (cm ⁴)	Iy (cm ⁴)
58.59	37.93

Reinforcement		s (mm)	Ix (cm ⁴)	Iy (cm ⁴)
13073 7.5x26x33x8		1.0	0.99	0.56
13074 7.5x26x33x8		1.5	1.38	0.78
13075 7.5x26x32.3x9.8		2.0	2.63	1.42
13077 9.5x9.5x9.5x1		1.0	0.03	0.02



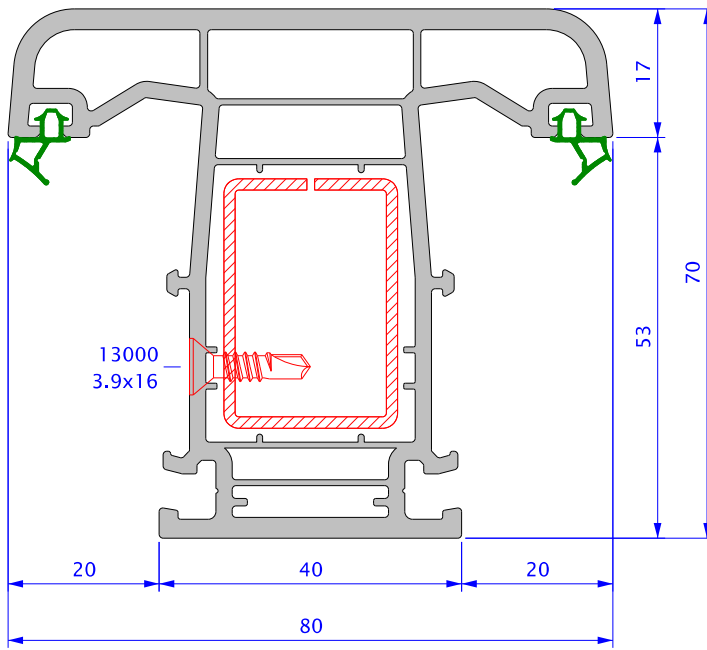
12612	
Ix (cm ⁴)	Iy (cm ⁴)
78.75	113.91

Reinforcement		s (mm)	Ix (cm ⁴)	Iy (cm ⁴)
13076 13x51x45.5x44		1.2	6.58	5.53
13068 13x51x45.5x44		2.0	10.39	8.72
3223 45x45		2.0	10.29	10.29
13077 9.5x9.5x9.5x1		1.0	0.03	0.02



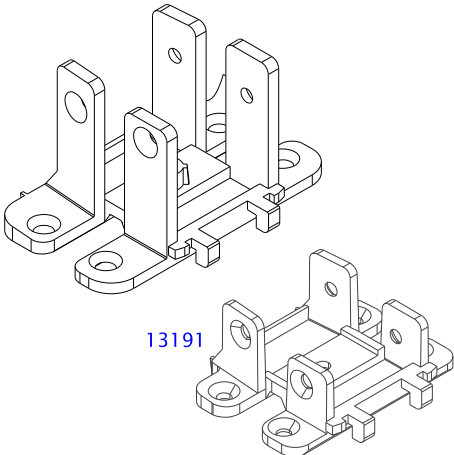
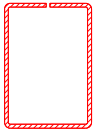
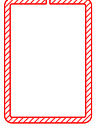
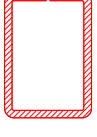
12613	
Ix (cm ⁴)	Iy (cm ⁴)
74.28	114.78

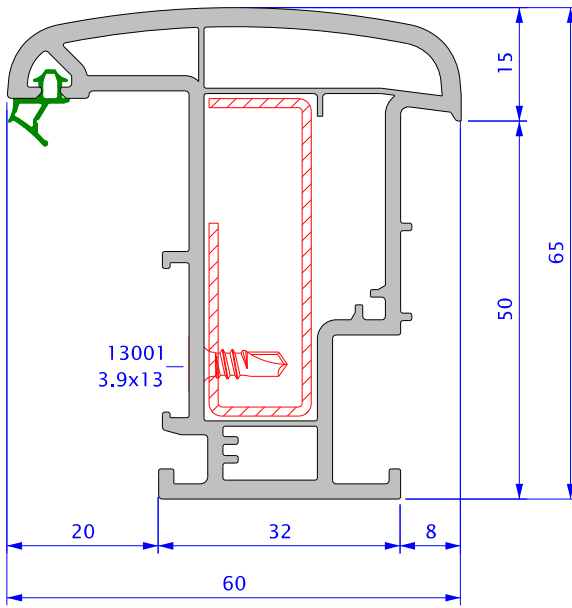
Reinforcement		s (mm)	Ix (cm ⁴)	Iy (cm ⁴)
13076 13x51x45.5x44		1.2	6.58	5.53
13068 13x51x45.5x44		2.0	10.39	8.72
3223 45x45		2.0	10.29	10.29
13077 9.5x9.5x9.5x1		1.0	0.03	0.02



12620	
Ix (cm ⁴)	Iy (cm ⁴)
57.07	37.68

Technical documents are subject to change without notice.

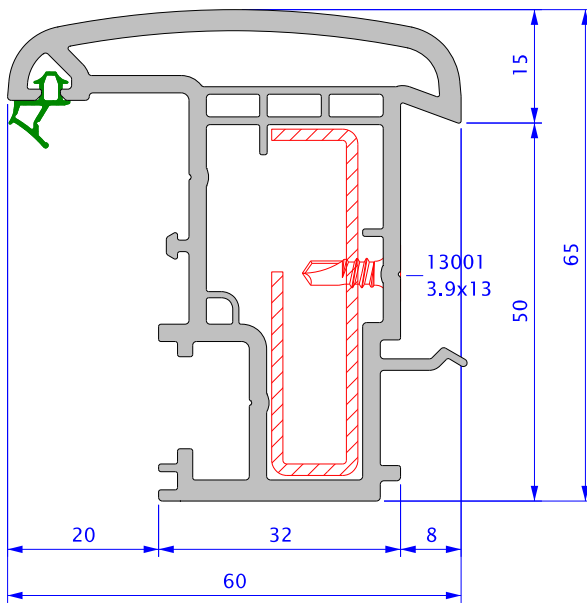
Reinforcement		Destek Sacı		s (mm)	Ix (cm ⁴)	Iy (cm ⁴)
12871 13191		12994 23x33		1.0	1.50	0.93
		12995 23x33		1.5	2.26	1.30
		12996 23x33		2.0	2.84	1.62



12621	
Ix (cm ⁴)	Iy (cm ⁴)
30.44	14.12

Technical documents are subject to change without notice.

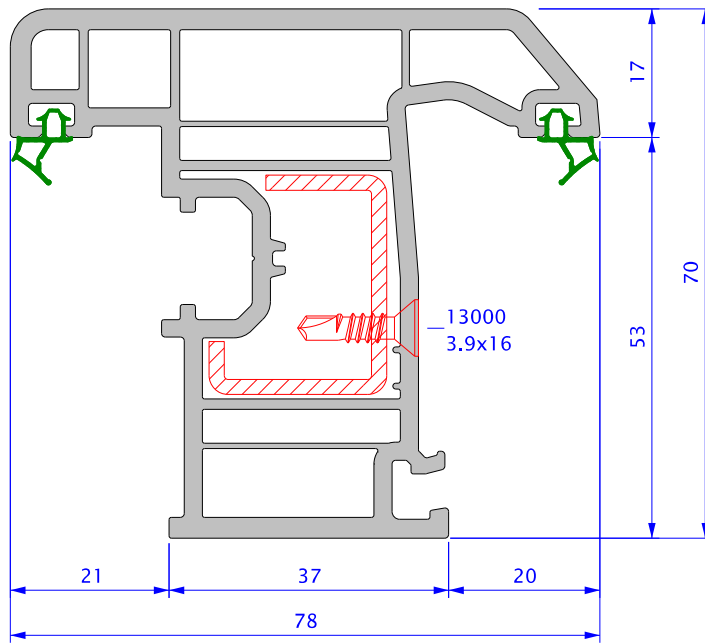
End cap of 12621		Reinforcement		s (mm)	Ix (cm ⁴)	Iy (cm ⁴)
13103	<p>13103 =>12621</p>	2089		1.2	2.16	0.32
		25.5x13.5x42x13.5				



12622	
Ix (cm ⁴)	Iy (cm ⁴)
35.25	16.41

Technical documents are subject to change without notice.

End cap of 12622		Reinforcement		s (mm)	Ix (cm ⁴)	Iy (cm ⁴)
3252	<p>3252 =>12622</p>	3221		1.5	2.95	0.27
		26.9x11.4x45x8x11.4				

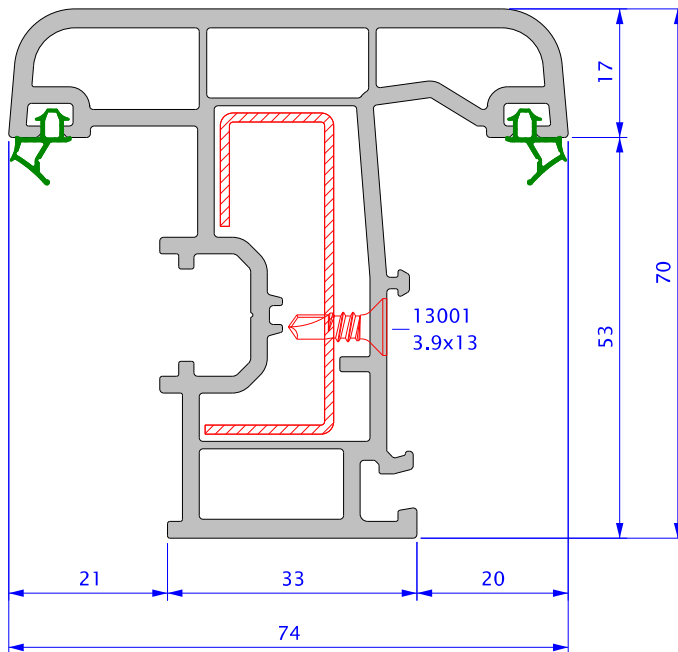


10114	
I _x (cm ⁴)	I _y (cm ⁴)
56.18	37.19

Technical documents are subject to change without notice.

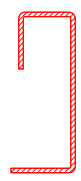
Reinforcement	s (mm)	I _x (cm ⁴)	I _y (cm ⁴)
11457 7x23.5x29x16	2.0	1.66	0.76

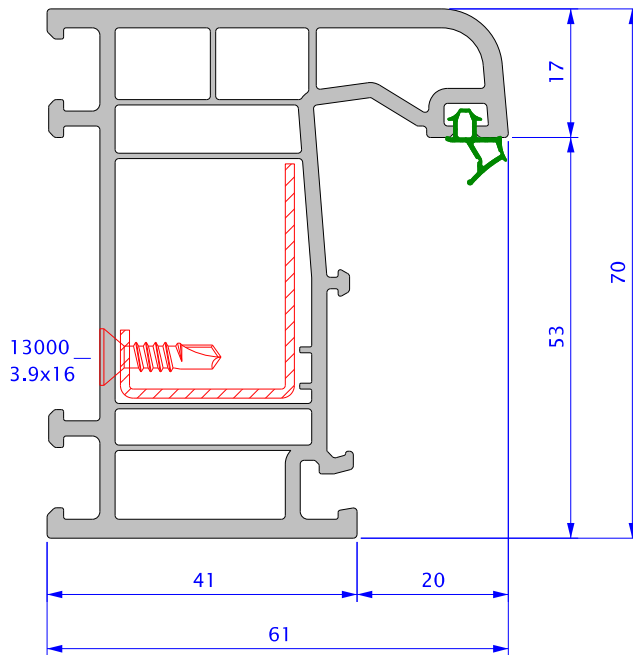




12617	
Ix (cm ⁴)	Iy (cm ⁴)
47.32	27.93

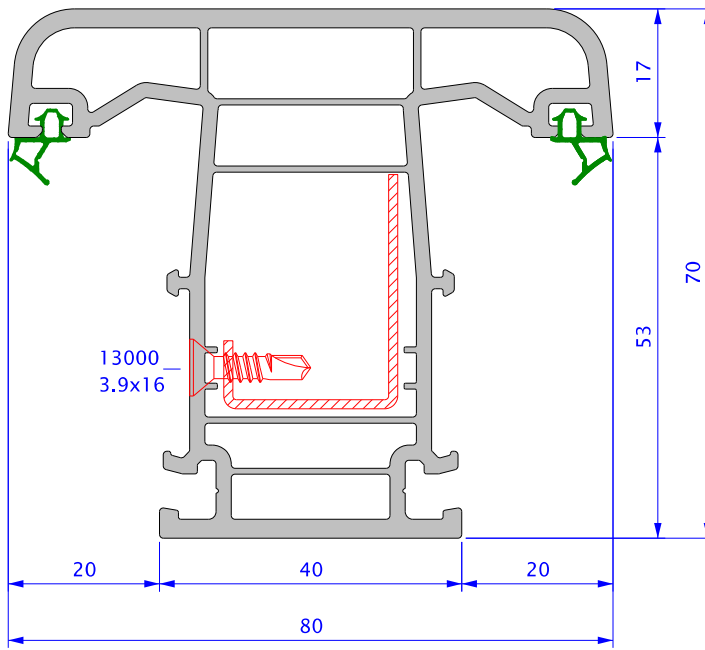
Technical documents are subject to change without notice.

Reinforcement	s (mm)	Ix (cm ⁴)	Iy (cm ⁴)
<p>13078</p> <p>17x42.5x15x15</p> 	1.2	2.49	0.34



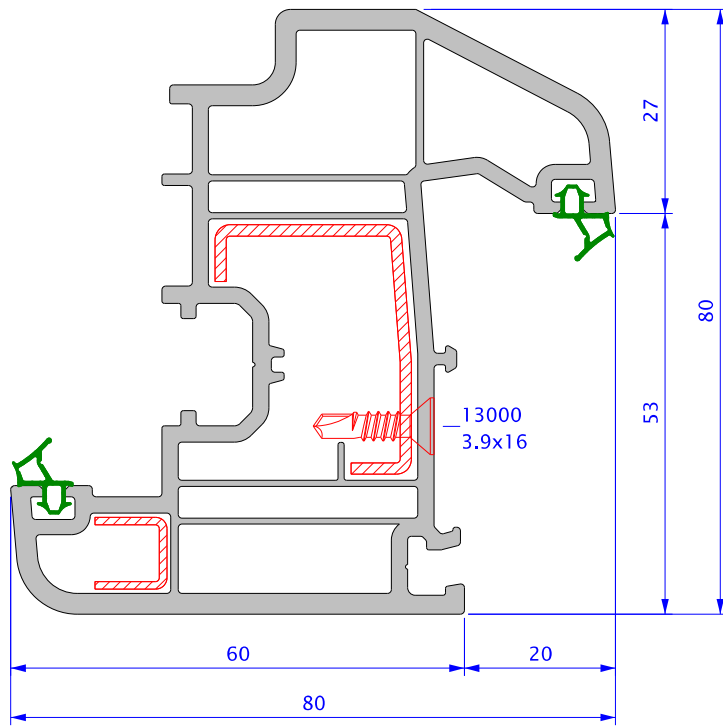
12604	
Ix (cm ⁴)	Iy (cm ⁴)
47.51	21.44

Reinforcement	s (mm)	Ix (cm ⁴)	Iy (cm ⁴)
13085 9x23x31	1.2	0.65	0.52

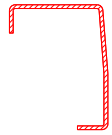
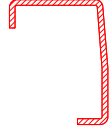
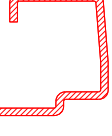



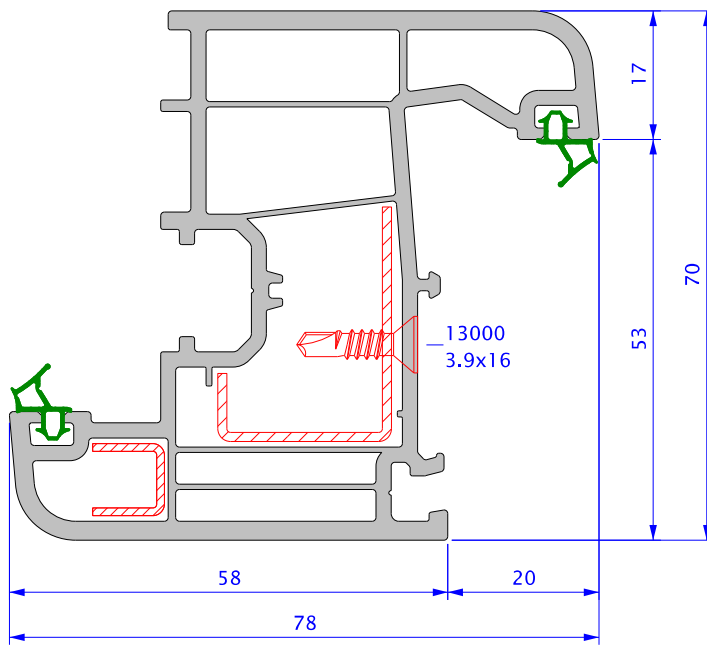
12625	
Ix (cm ⁴)	Iy (cm ⁴)
53.09	35.95

Reinforcement	s (mm)	Ix (cm ⁴)	Iy (cm ⁴)
13085 9x23x31	1.2	0.65	0.52

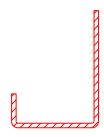



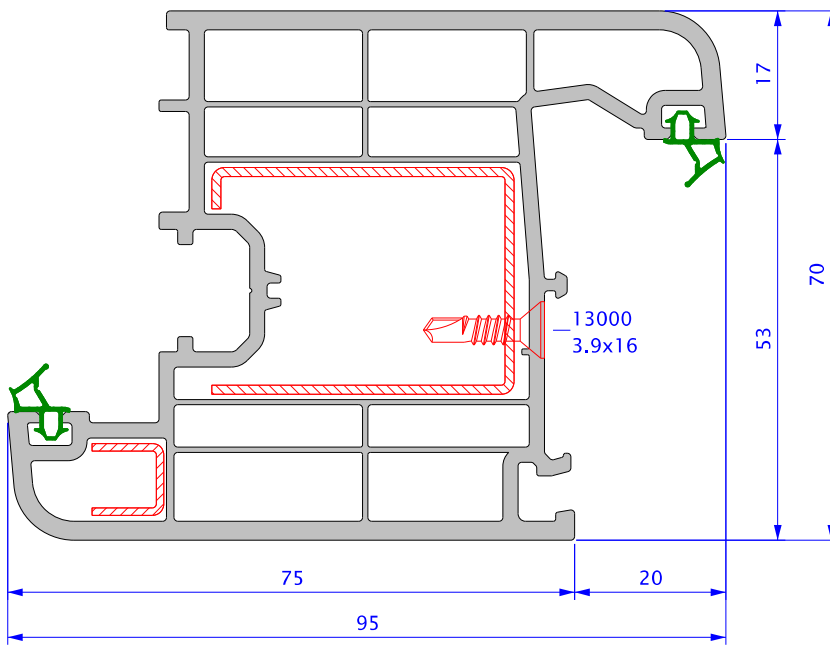
12614	
Ix (cm ⁴)	Iy (cm ⁴)
69.59	38.49

Reinforcement		s (mm)	Ix (cm ⁴)	Iy (cm ⁴)
13073 7.5x26x33x8		1.0	0.99	0.56
13074 7.5x26x33x8		1.5	1.38	0.78
13075 7.5x26x32.3x9.8		2.0	2.63	1.42
13077 9.5x9.5x9.5x1		1.0	0.03	0.02





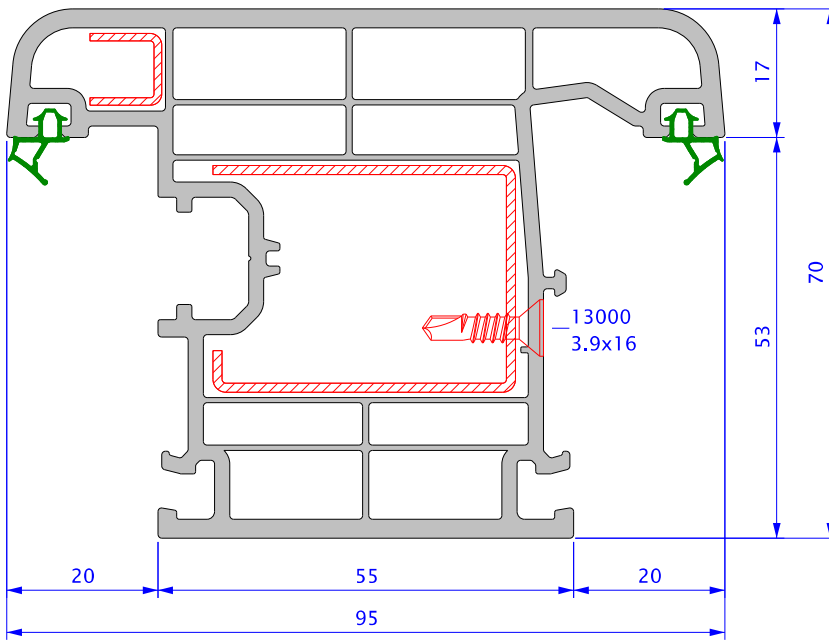
12615	
Ix (cm ⁴)	Iy (cm ⁴)
53.65	33.13

Reinforcement	s (mm)	Ix (cm ⁴)	Iy (cm ⁴)	
13085 9x23x31		1.2	0.65	0.52
13077 9.5x9.5x9.5x1		1.0	0.03	0.02



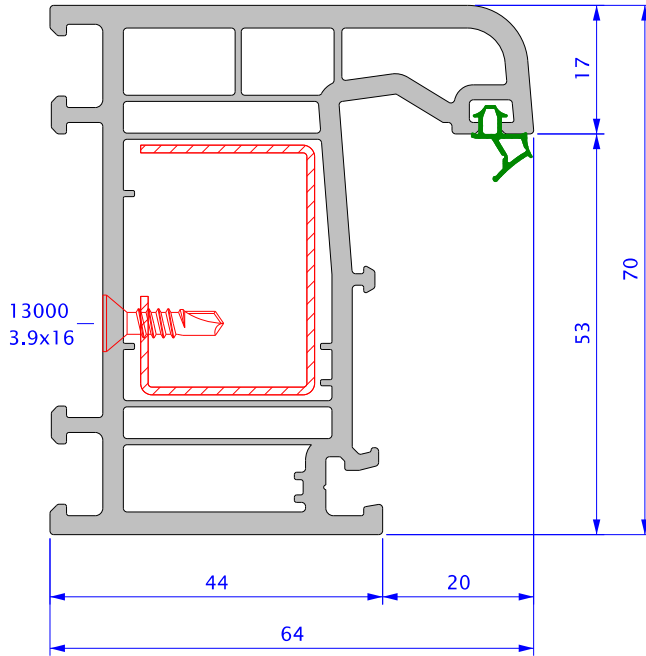
12616	
Ix (cm ⁴)	Iy (cm ⁴)
66.01	64.17

Reinforcement		s (mm)	Ix (cm ⁴)	Iy (cm ⁴)
13080 5.5x40x30x40		1.2	2.23	2.44
13077 9.5x9.5x9.5x1		1.0	0.03	0.02



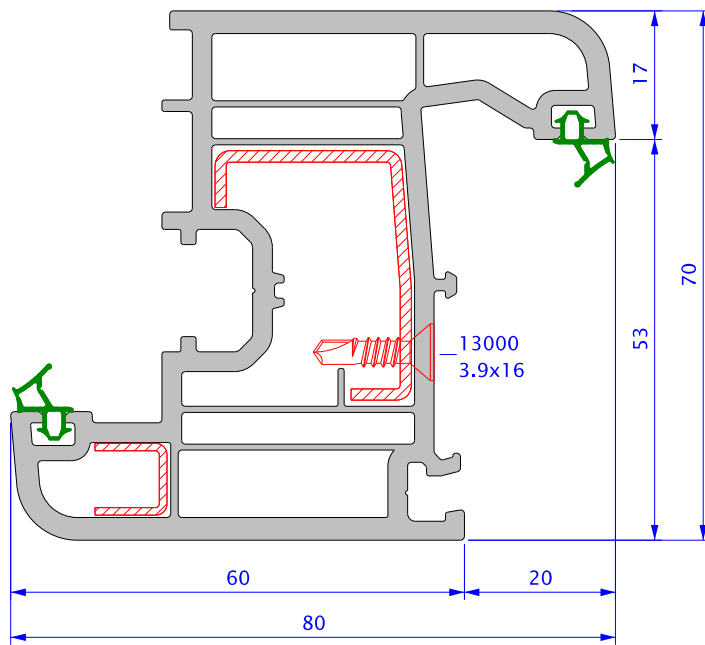
12618	
I _x (cm ⁴)	I _y (cm ⁴)
64.41	64.73

Reinforcement		s (mm)	I _x (cm ⁴)	I _y (cm ⁴)
13080 5.5x40x30x40		1.2	2.23	2.44
13077 9.5x9.5x9.5x1		1.0	0.03	0.02

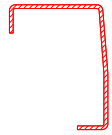
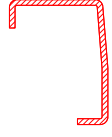
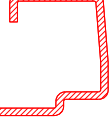



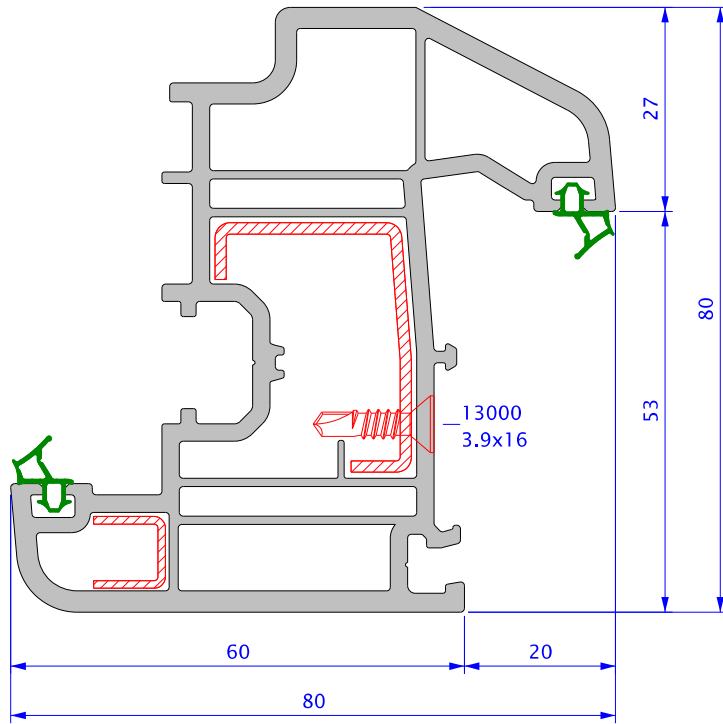
12605	
Ix (cm ⁴)	Iy (cm ⁴)
57.65	28.34

Reinforcement		s (mm)	Ix (cm ⁴)	Iy (cm ⁴)
12992 13x23x33x23		1.0	1.50	0.65
12993 13x23x33x23		1.5	2.13	0.92
12994 23x33		1.0	1.50	0.93
12995 23x33		1.5	2.26	1.30
12996 23x33		2.0	2.84	1.62



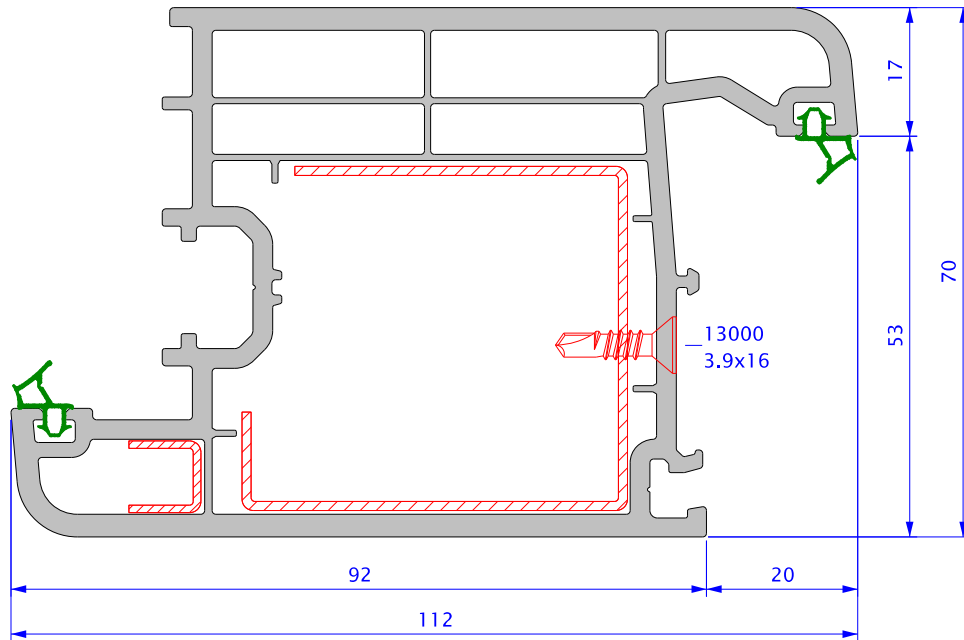
12630	
Ix (cm ⁴)	Iy (cm ⁴)
63.25	40.59

Reinforcement		s (mm)	Ix (cm ⁴)	Iy (cm ⁴)
13073 7.5x26x33x8		1.0	0.99	0.56
13074 7.5x26x33x8		1.5	1.38	0.78
13075 7.5x26x32.3x9.8		2.0	2.63	1.42
13077 9.5x9.5x9.5x1		1.0	0.03	0.02



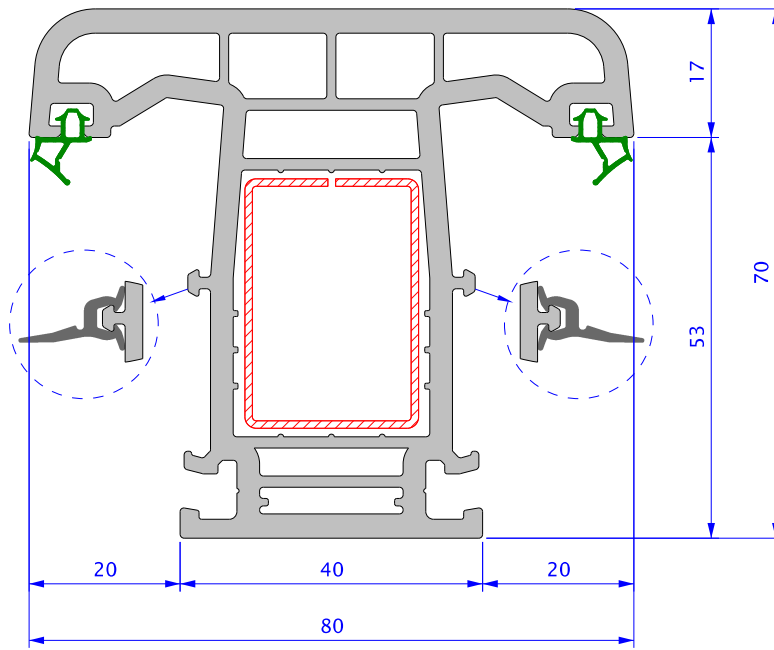
12619	
Ix (cm ⁴)	Iy (cm ⁴)
72.94	39.63

Reinforcement		s (mm)	Ix (cm ⁴)	Iy (cm ⁴)
13073 7.5x26x33x8		1.0	0.99	0.56
13074 7.5x26x33x8		1.5	1.38	0.78
13075 7.5x26x32.3x9.8		2.0	2.63	1.42
13077 9.5x9.5x9.5x1		1.0	0.03	0.02



12631	
Ix (cm ⁴)	Iy (cm ⁴)
85.81	123.42

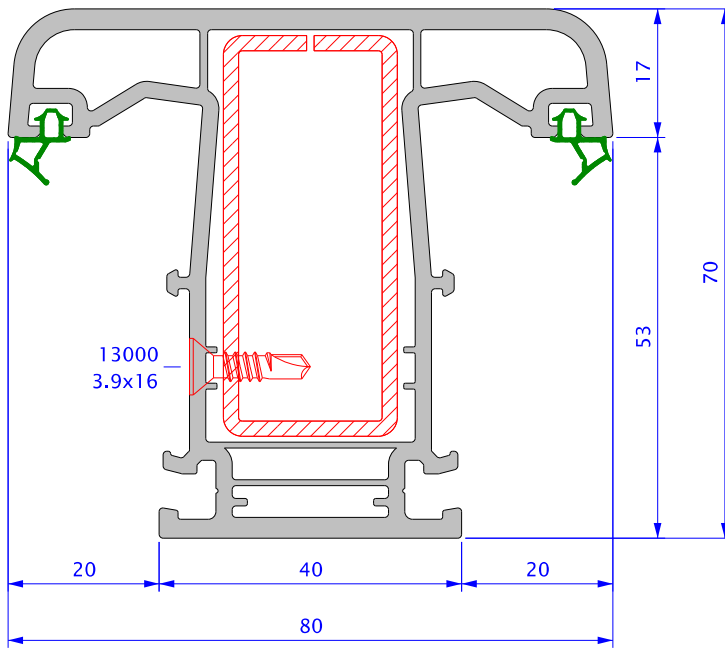
Reinforcement		s (mm)	Ix (cm ⁴)	Iy (cm ⁴)
13076 13x51x45.5x44		1.2	6.58	5.53
13068 13x51x45.5x44		2.0	10.39	8.72
3223 45x45		2.0	10.29	10.29
13077 9.5x9.5x9.5x1		1.0	0.03	0.02



12623	
Ix (cm ⁴)	Iy (cm ⁴)
64.84	41.58

Technical documents are subject to change without notice.

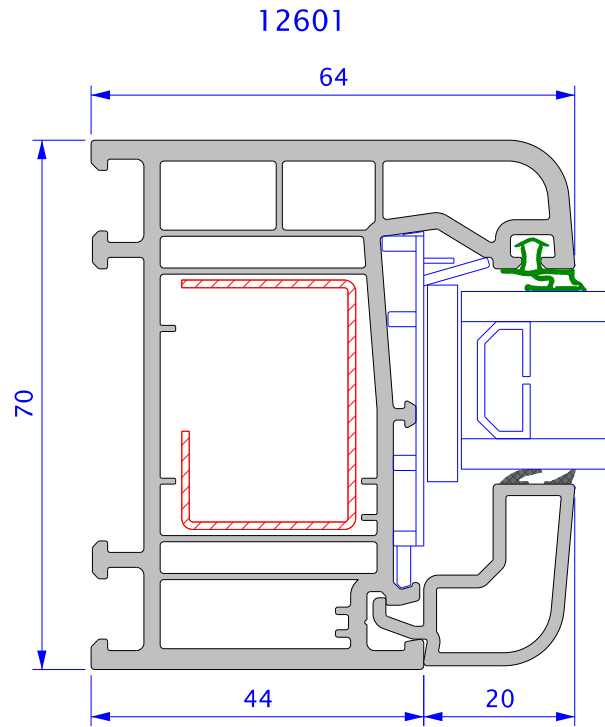
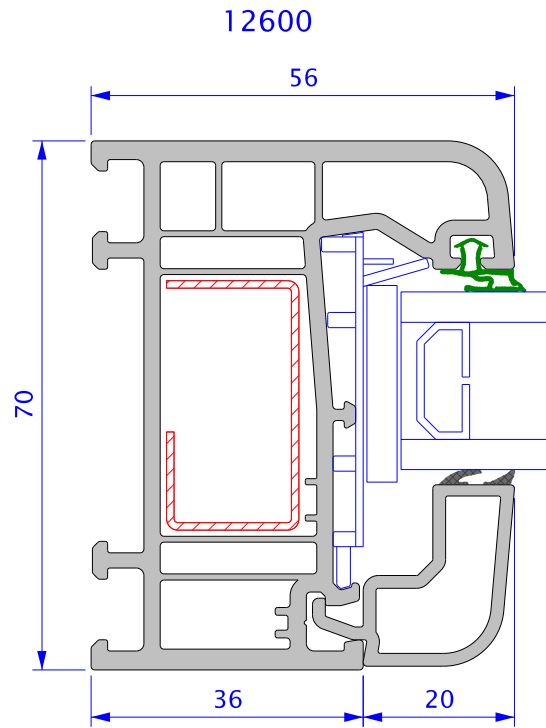
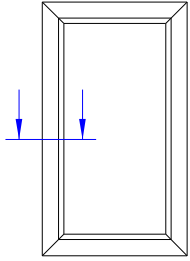
Mechanical Joint		Reinforcement		s (mm)	Ix (cm ⁴)	Iy (cm ⁴)
12871 13191		12994 23x33		1.0	1.50	0.93
		12995 23x33		1.5	2.26	1.30
		12996 23x33		2.0	2.84	1.62

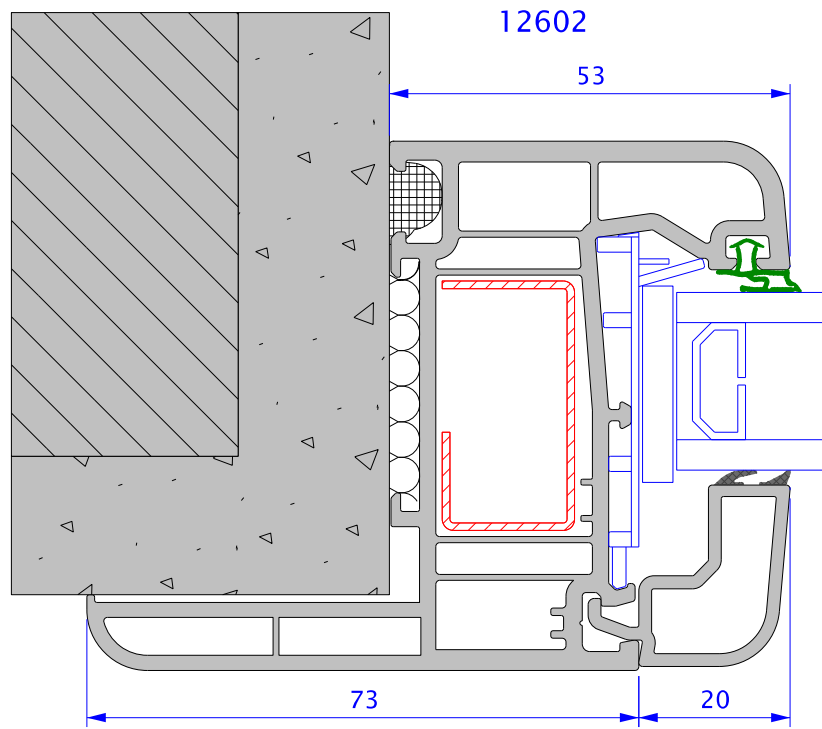
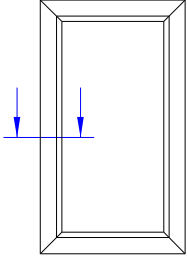


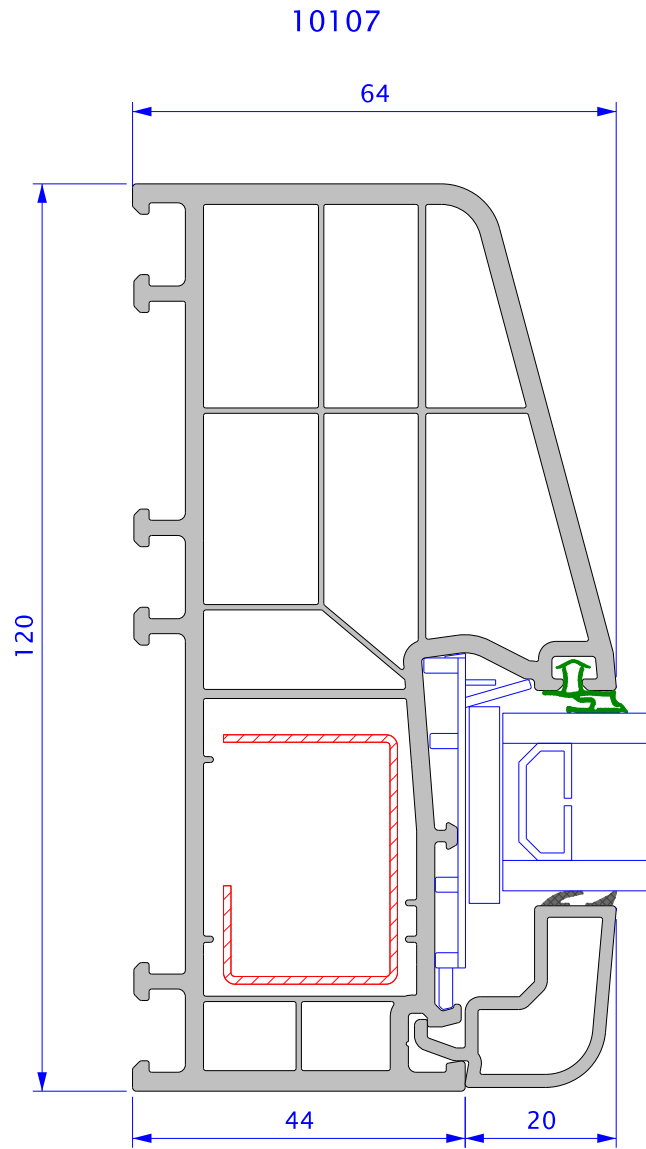
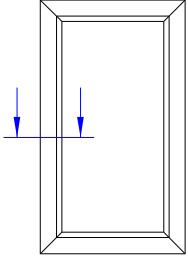
12624	
Ix (cm ⁴)	Iy (cm ⁴)
60.38	40.14

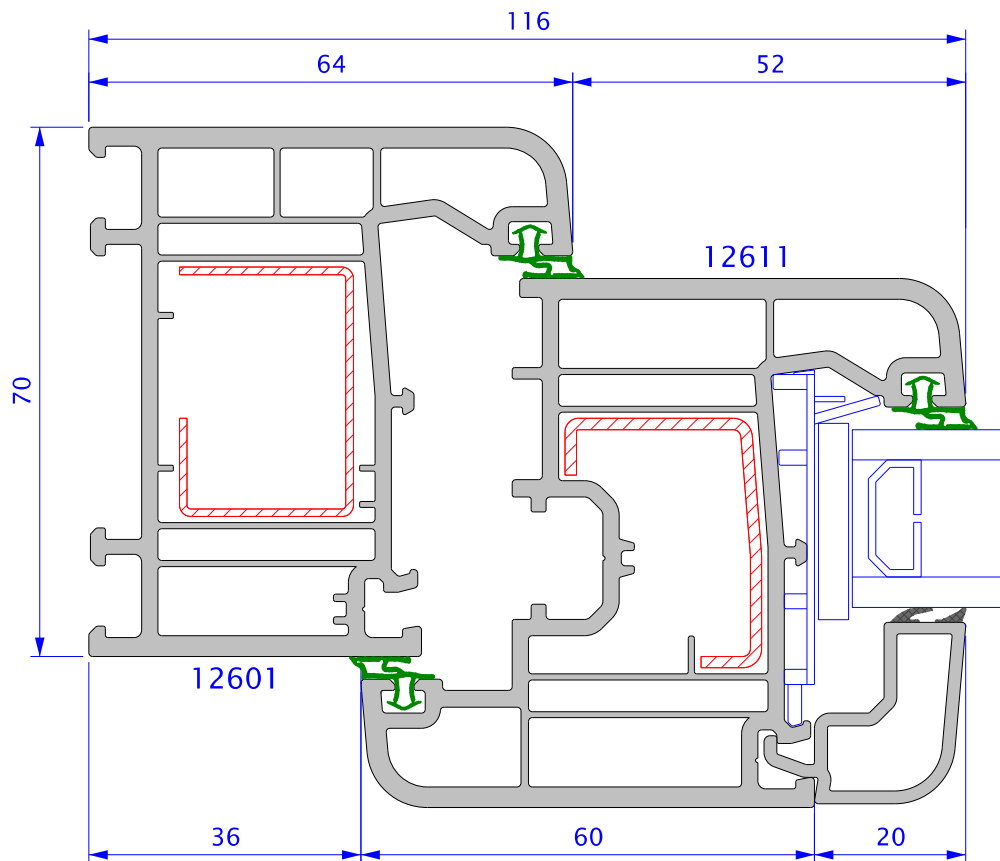
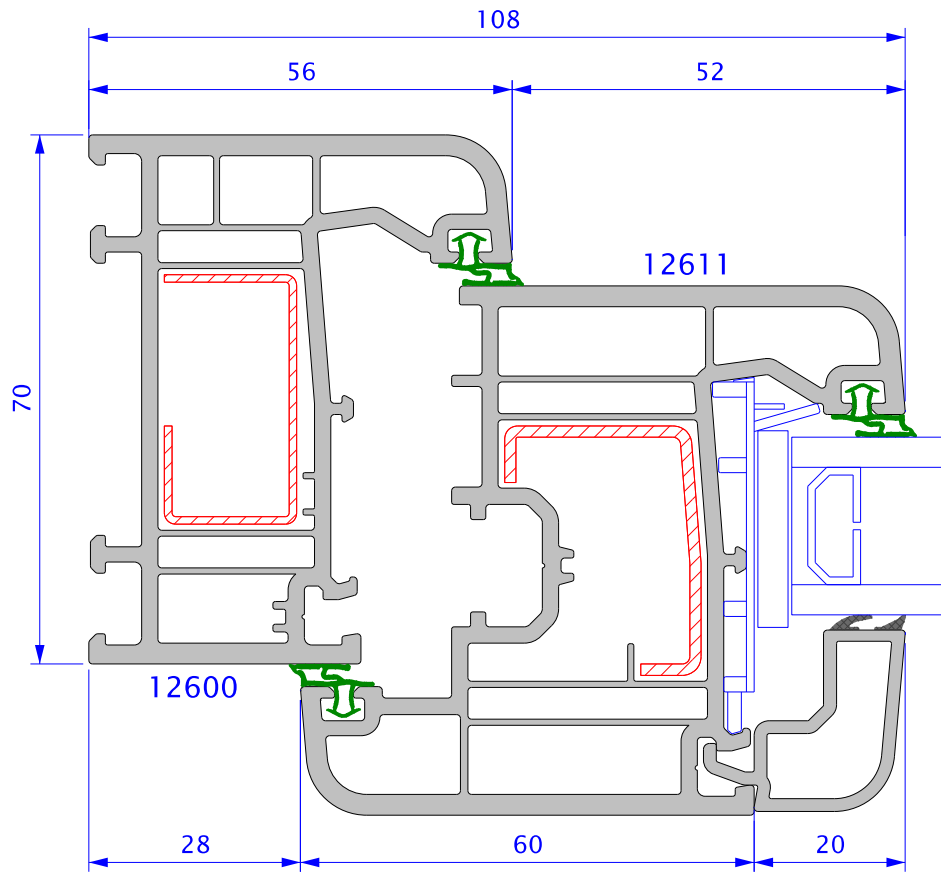
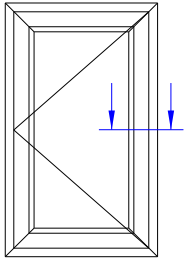
Technical documents are subject to change without notice.

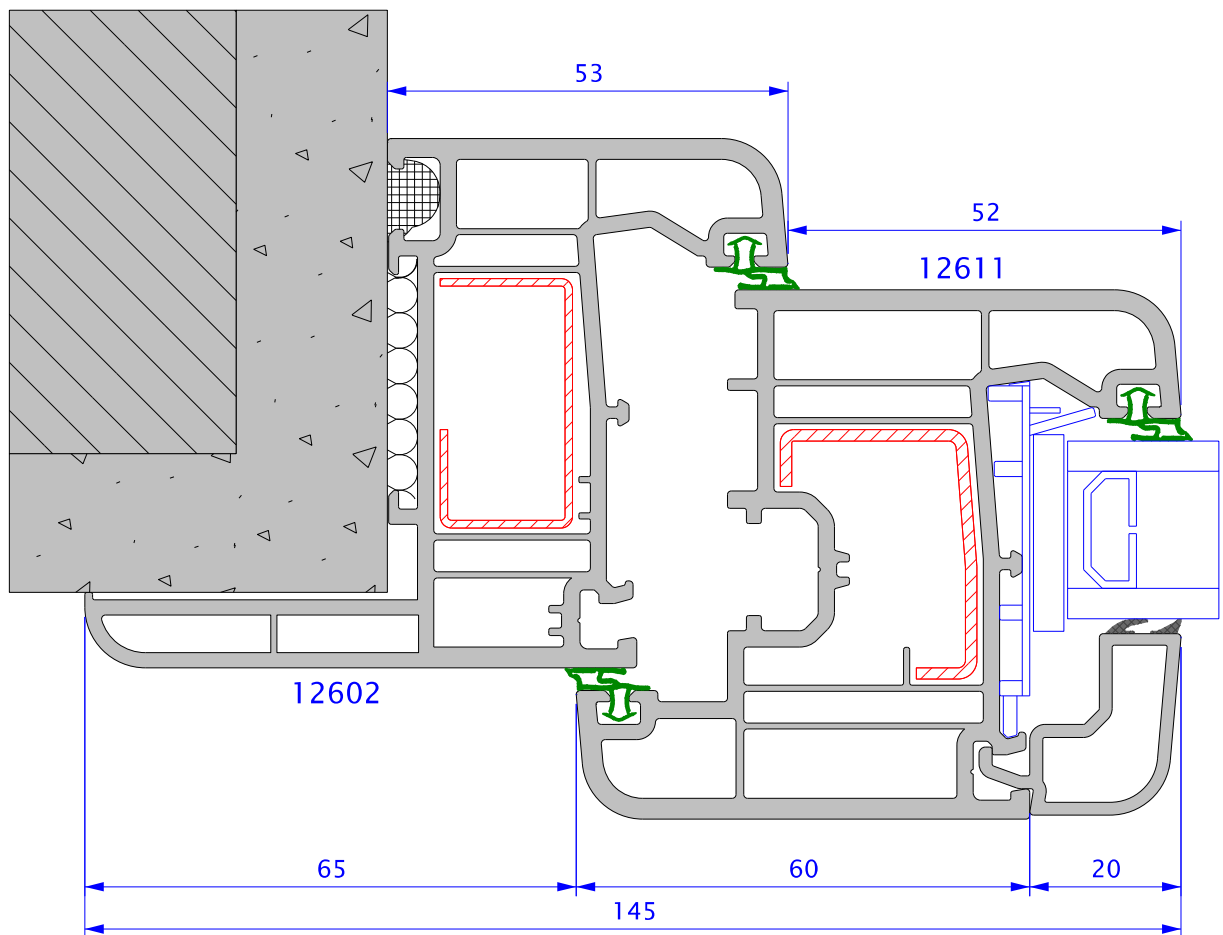
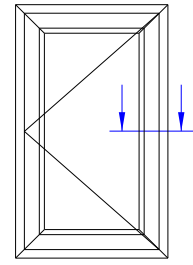
Mechanical Joint		Reinforcement		s (mm)	Ix (cm ⁴)	Iy (cm ⁴)
12871	<p>12871</p>	12931	<p>23x33</p>	2.0	9.39	2.50

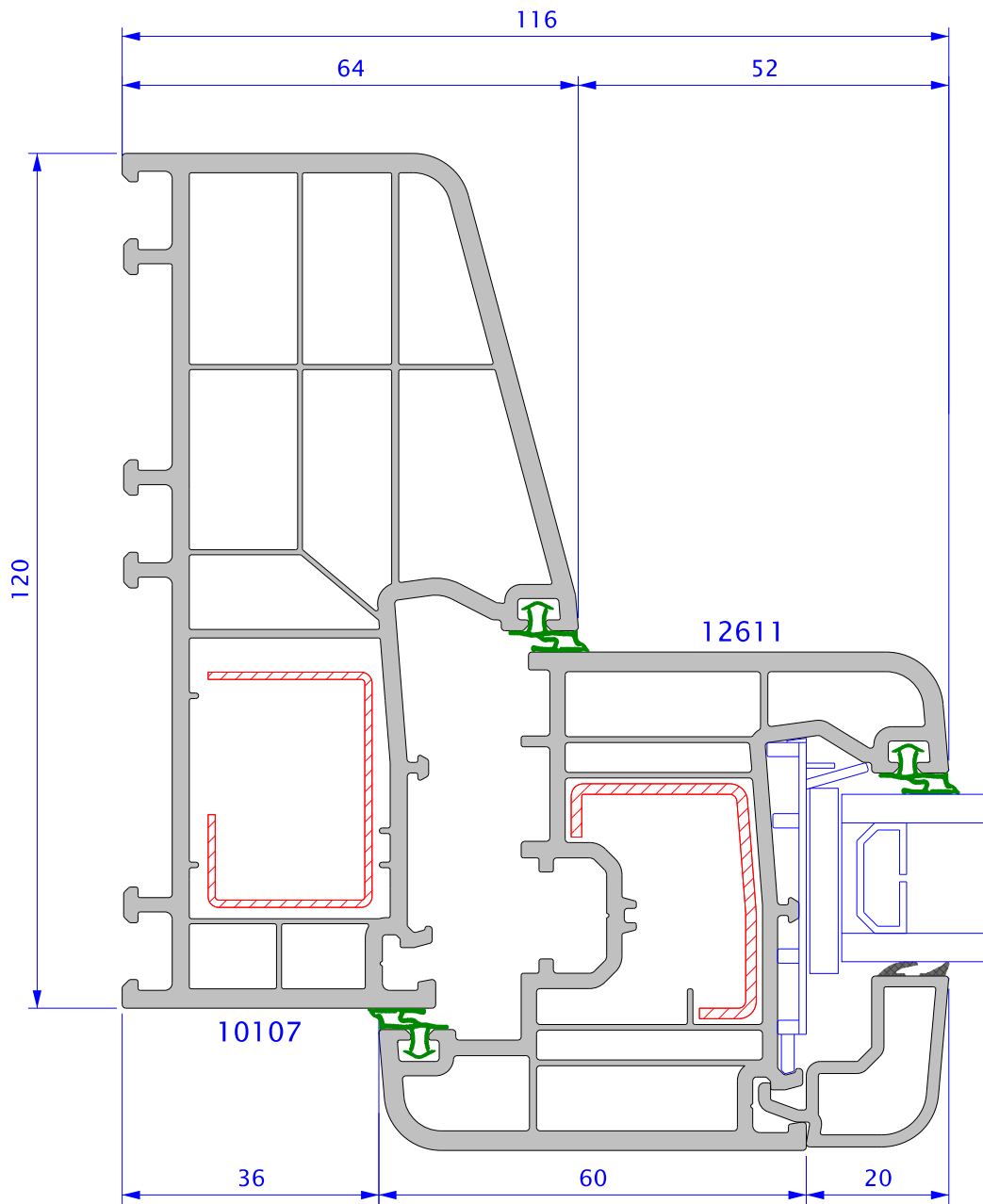
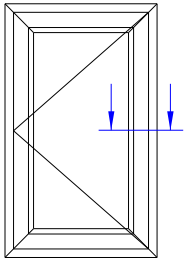


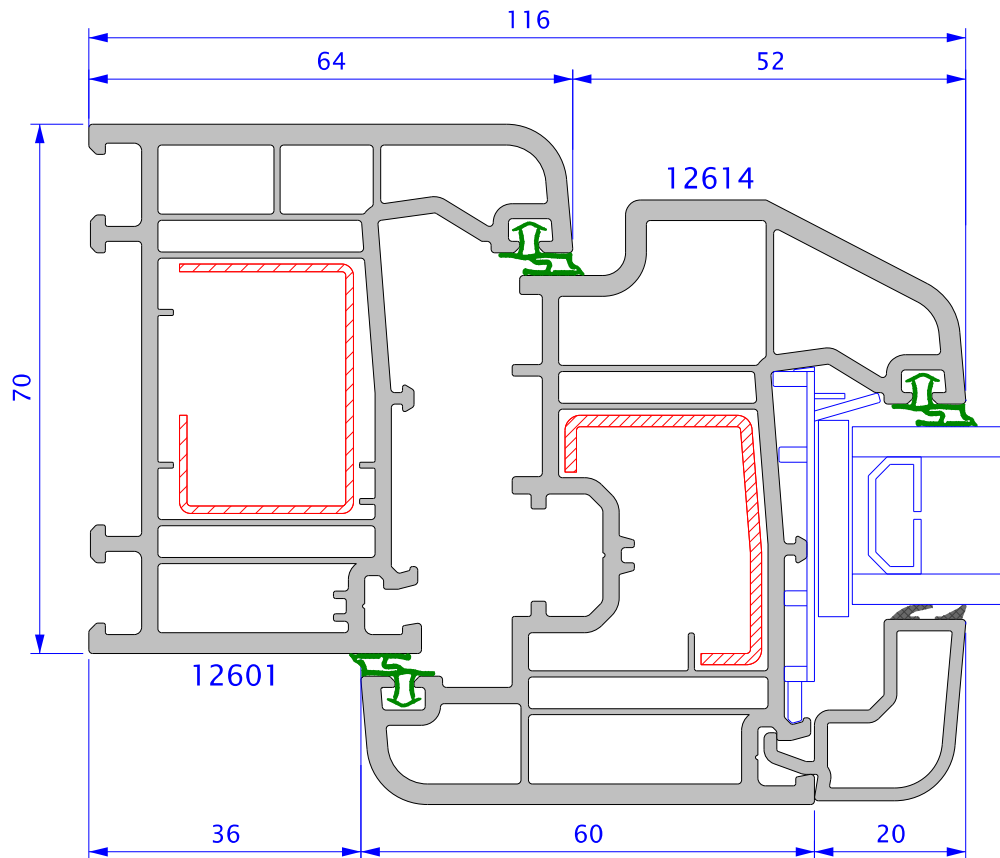
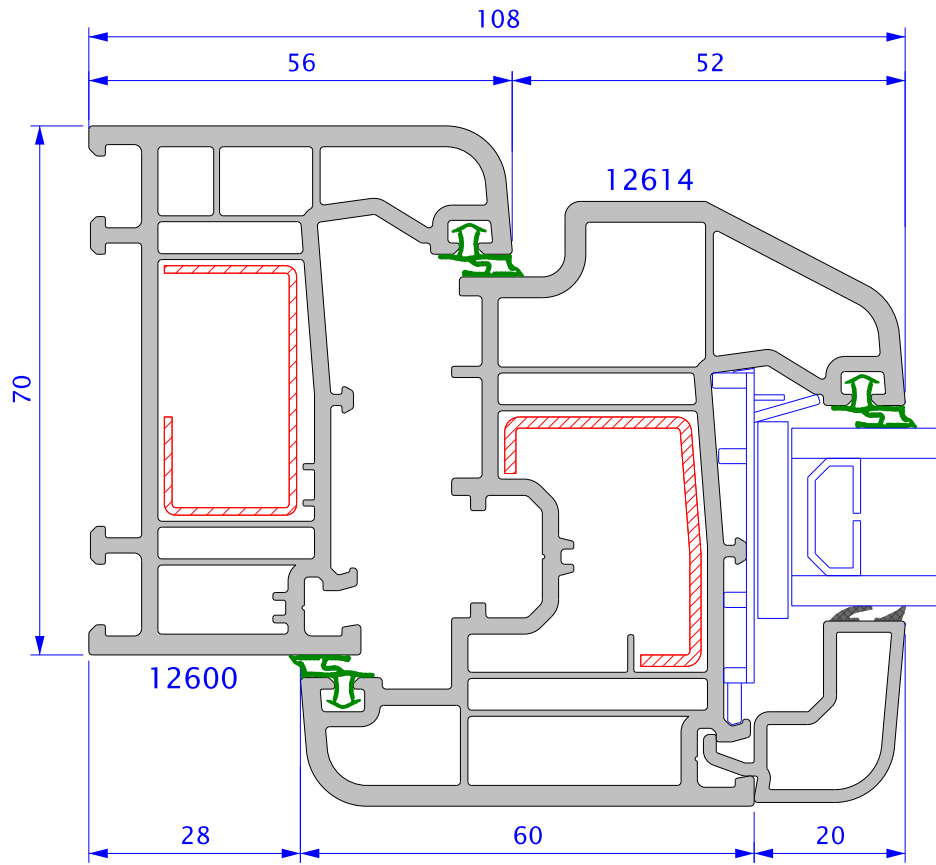
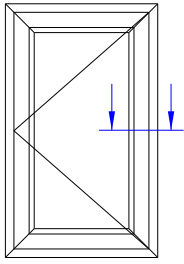


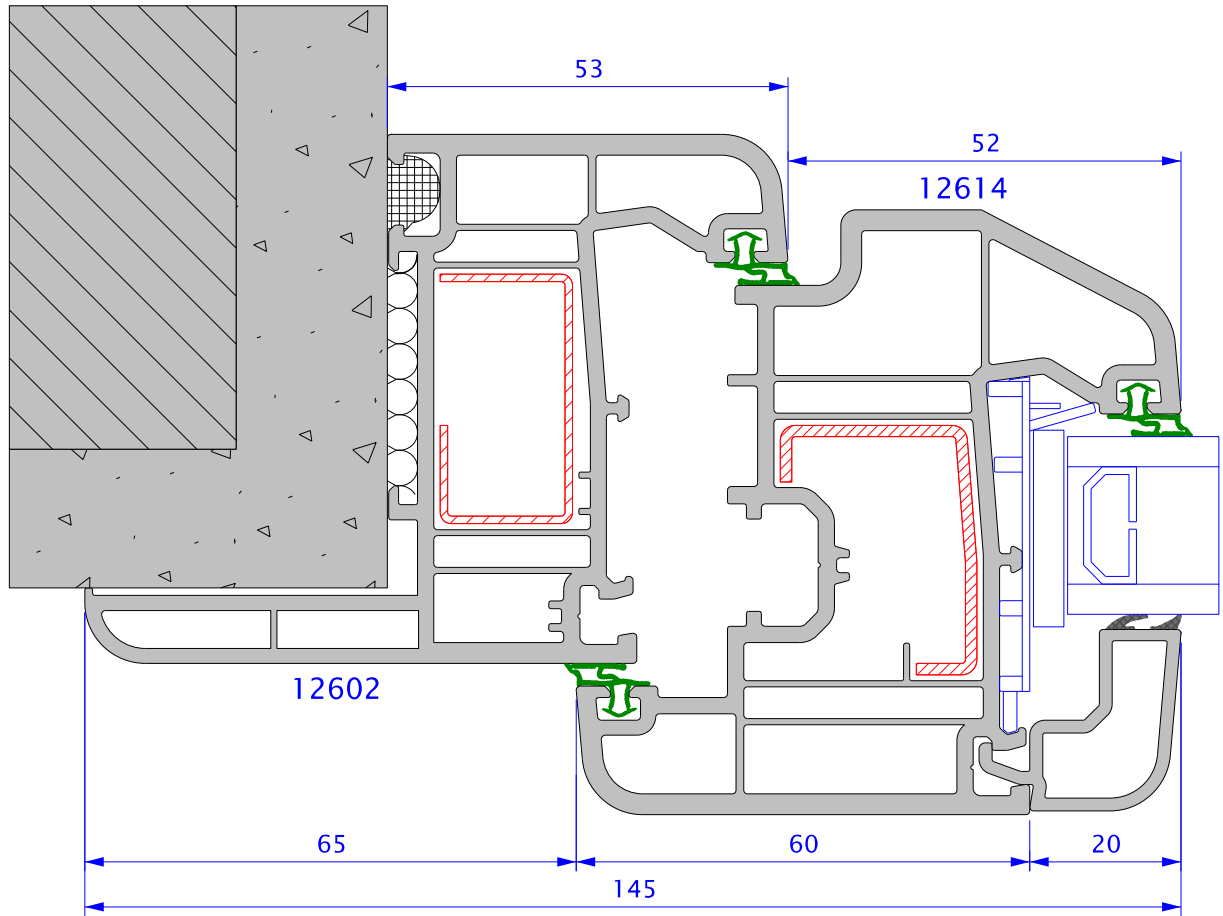
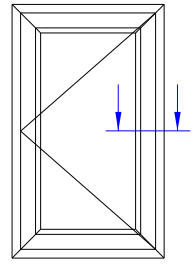


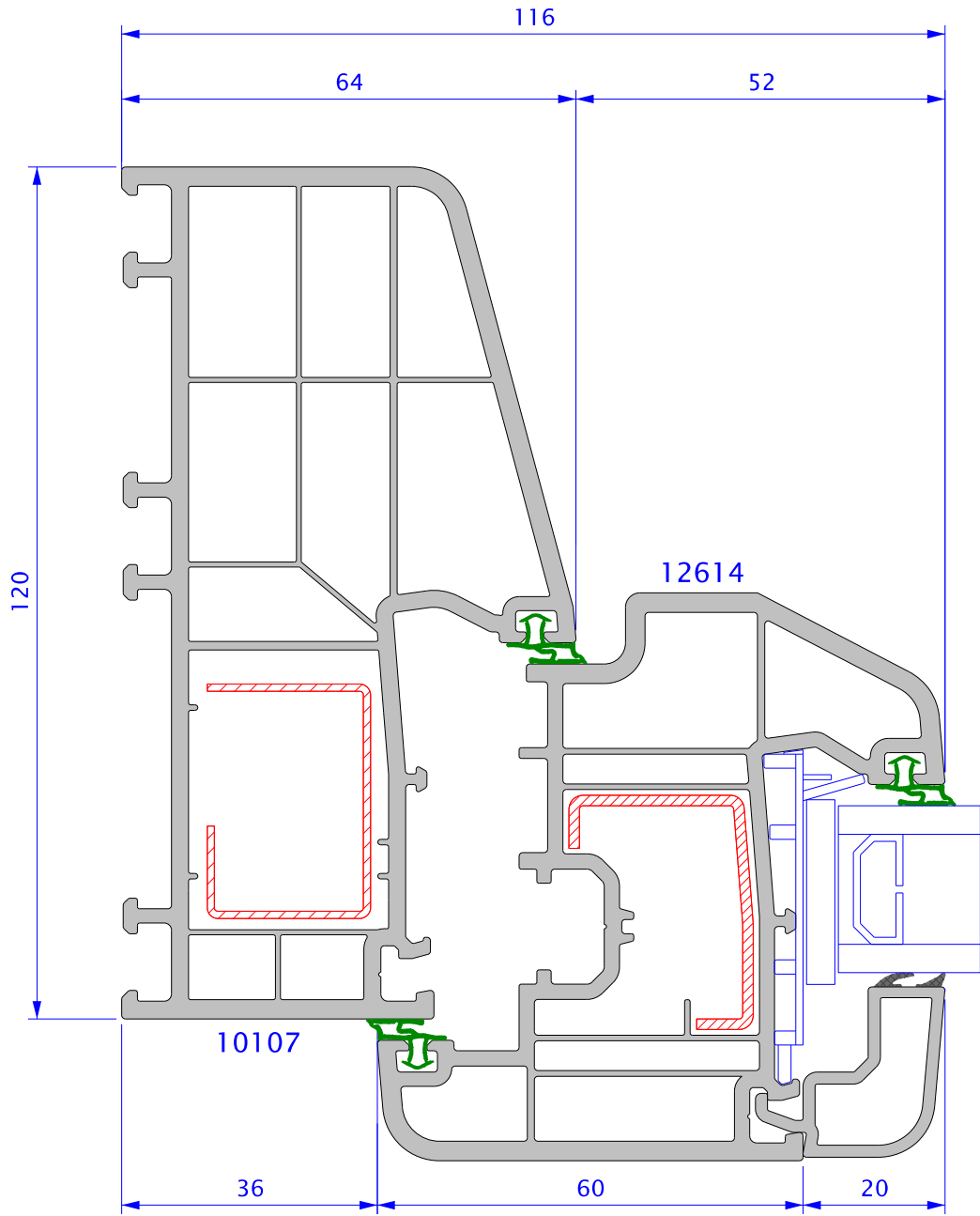
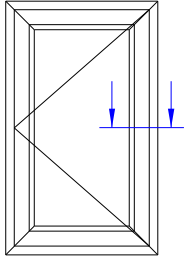


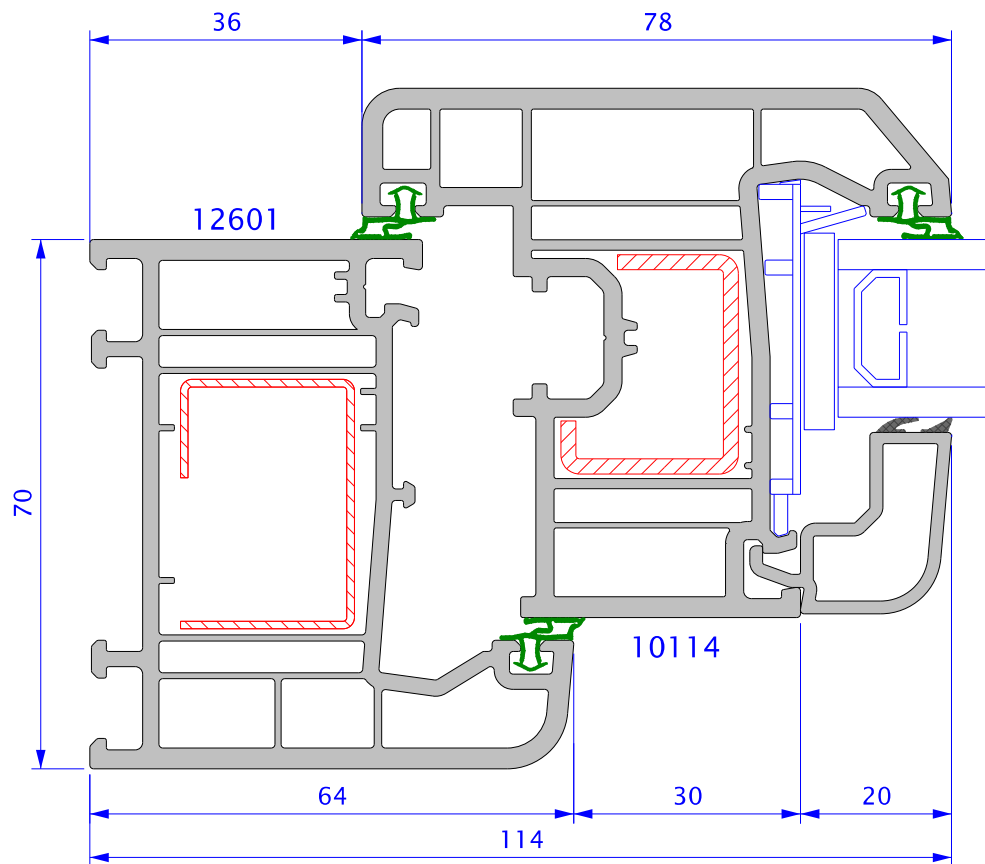
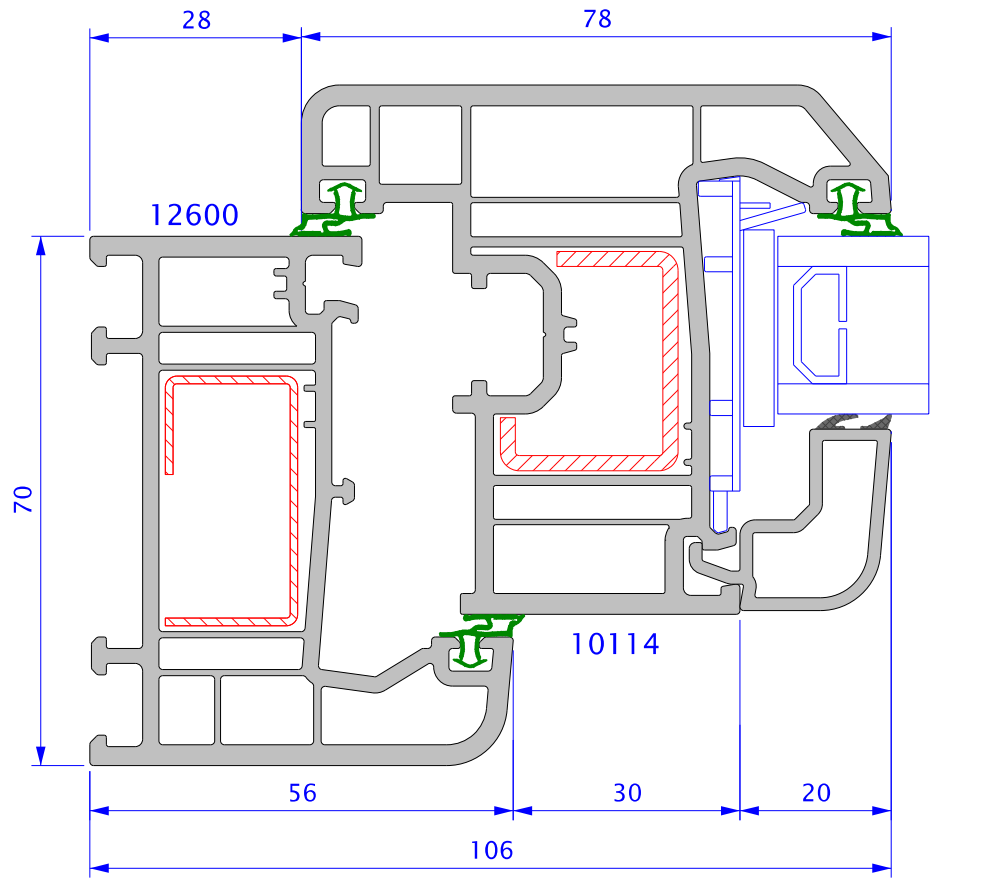
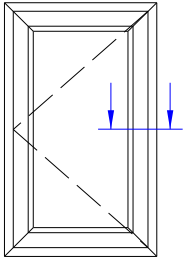


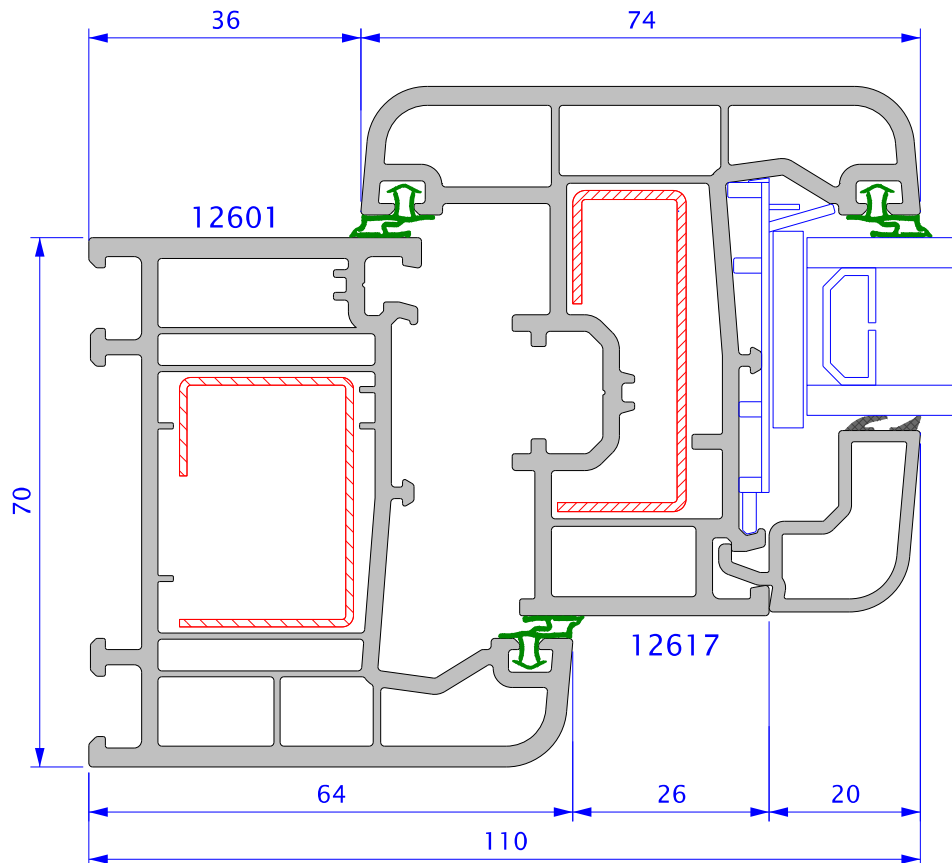
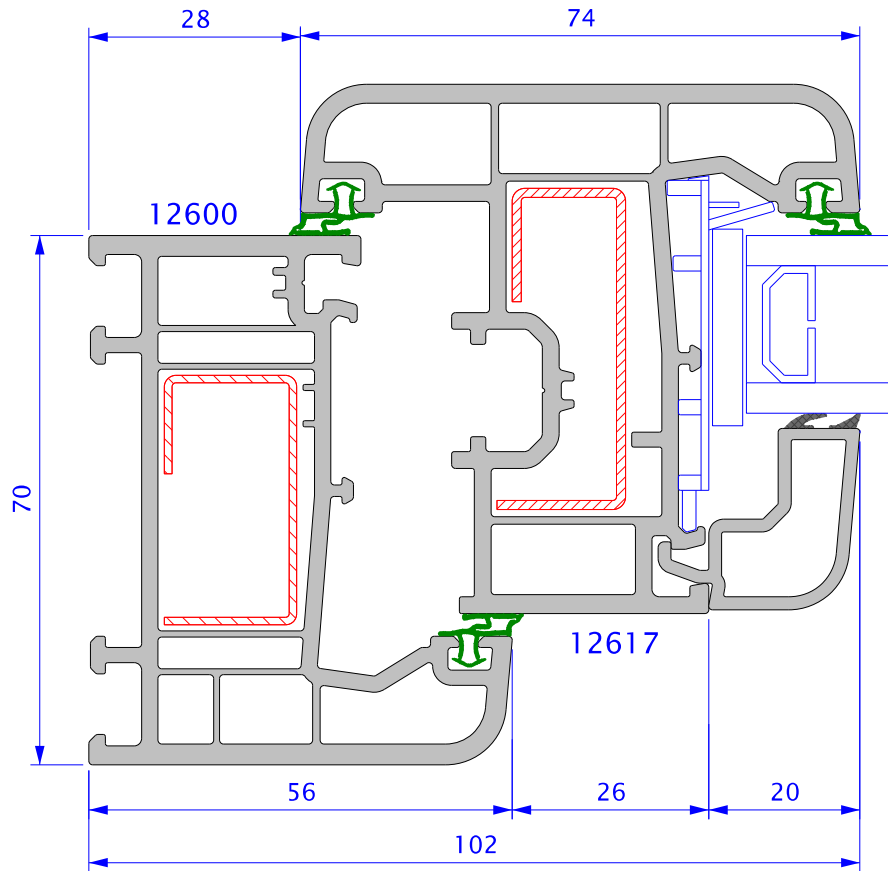
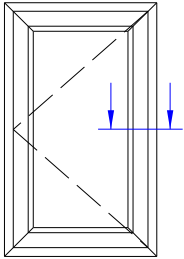


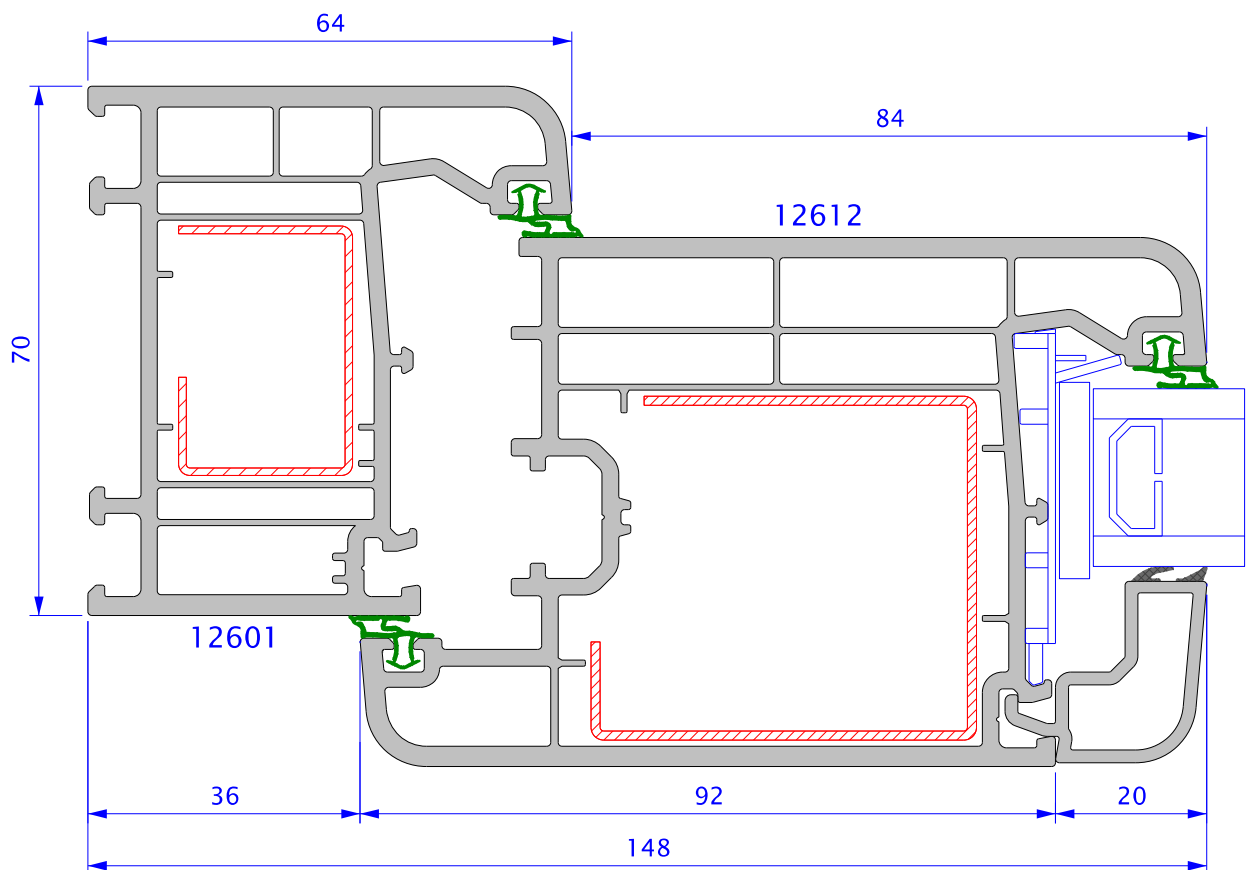
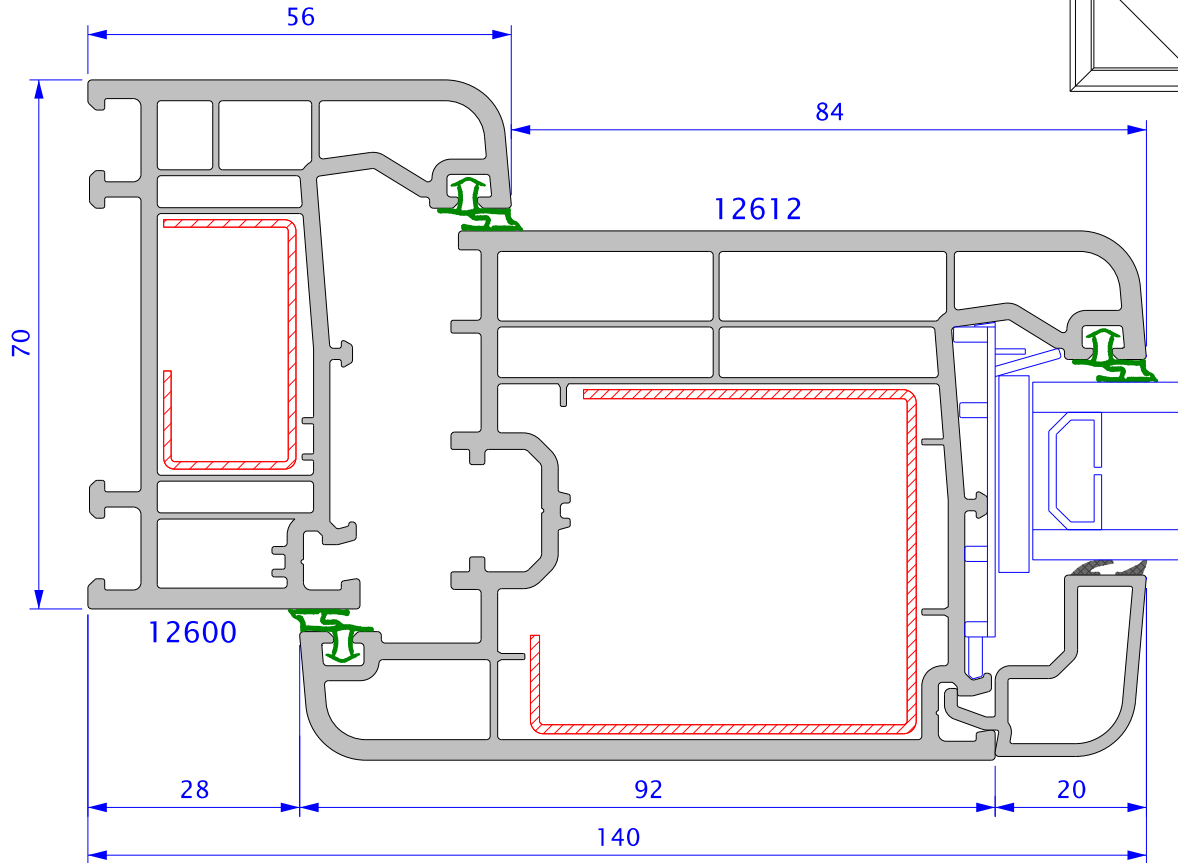
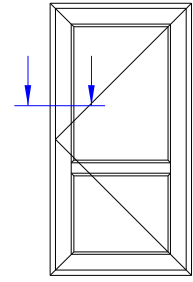


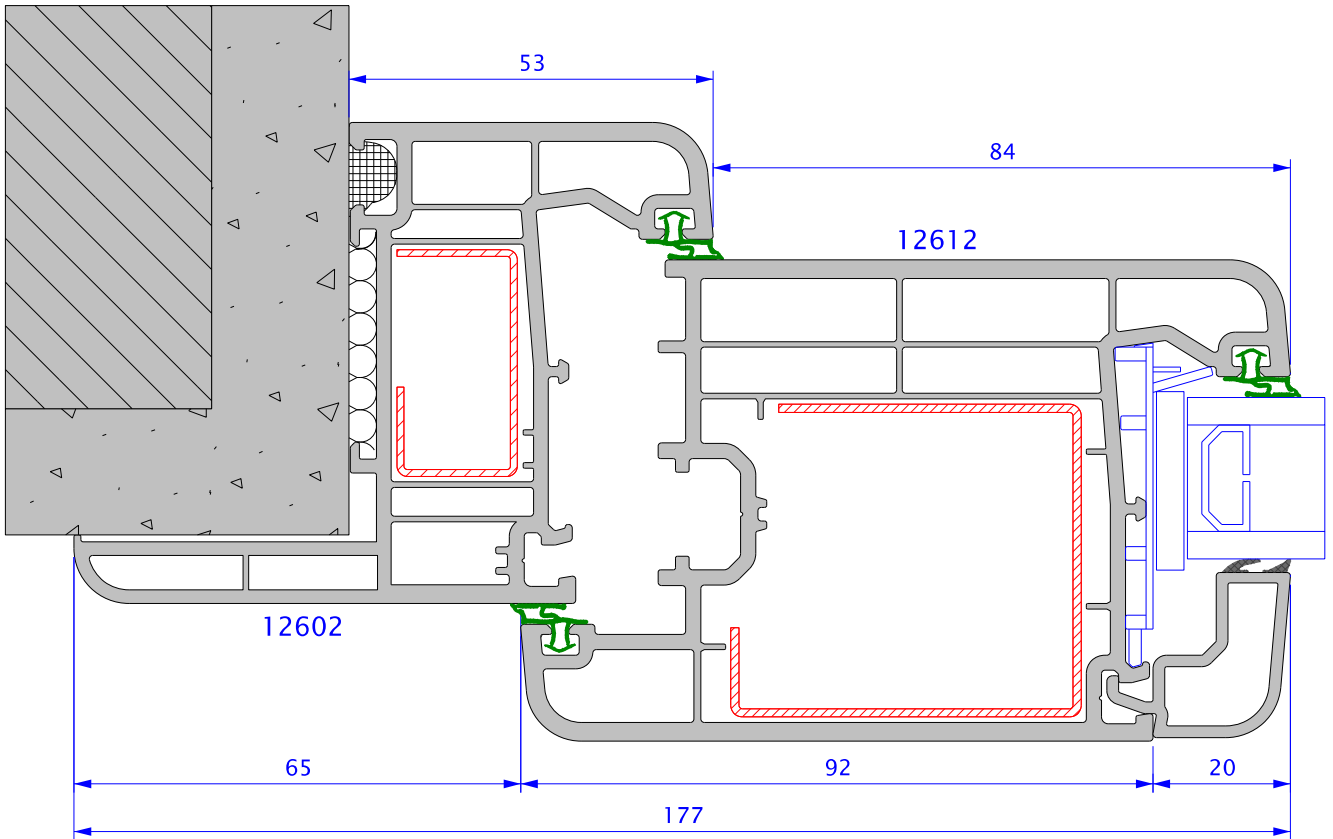
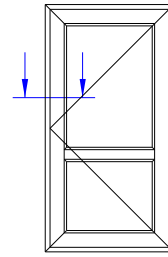


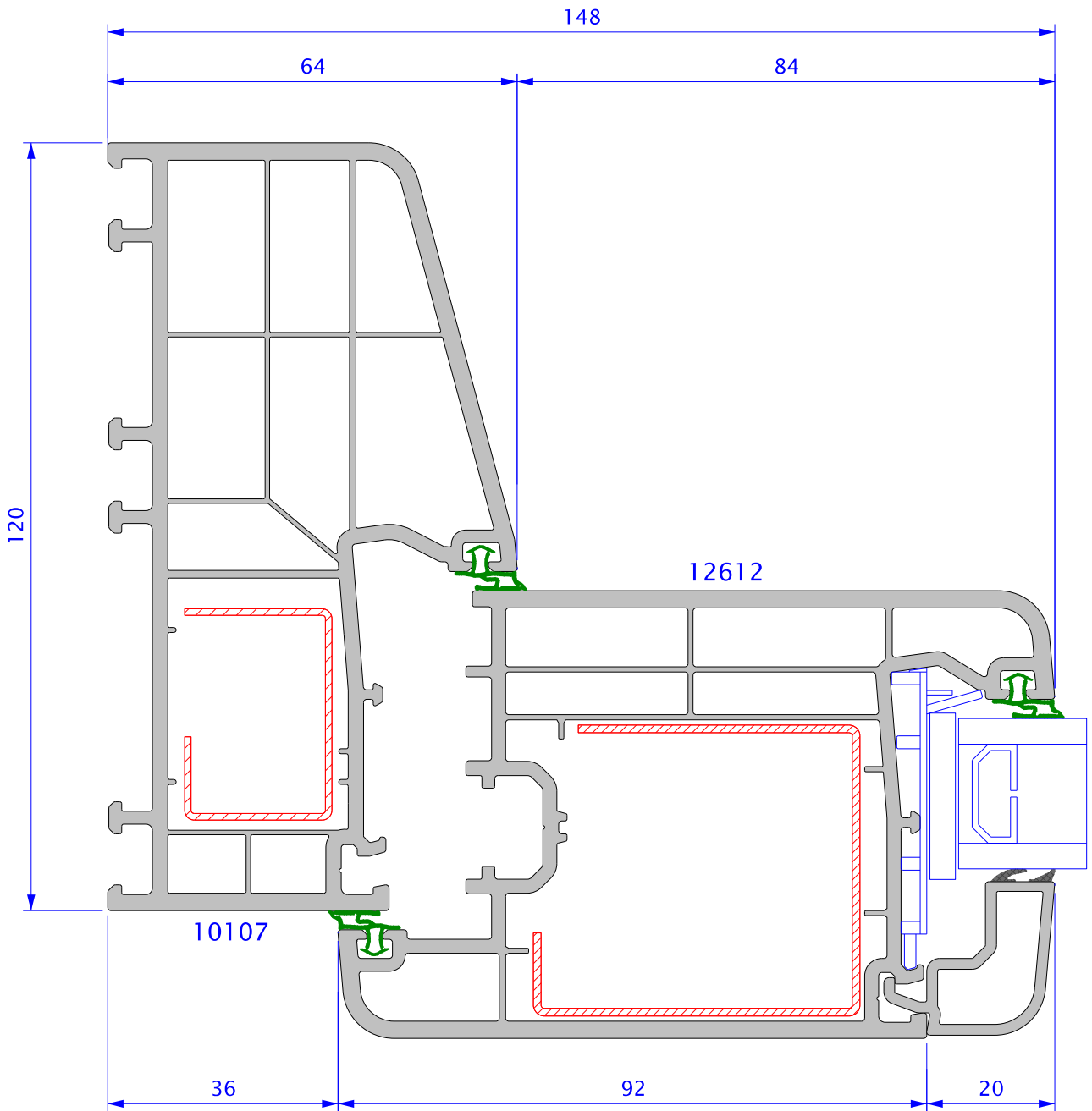
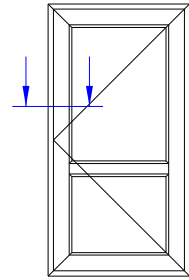


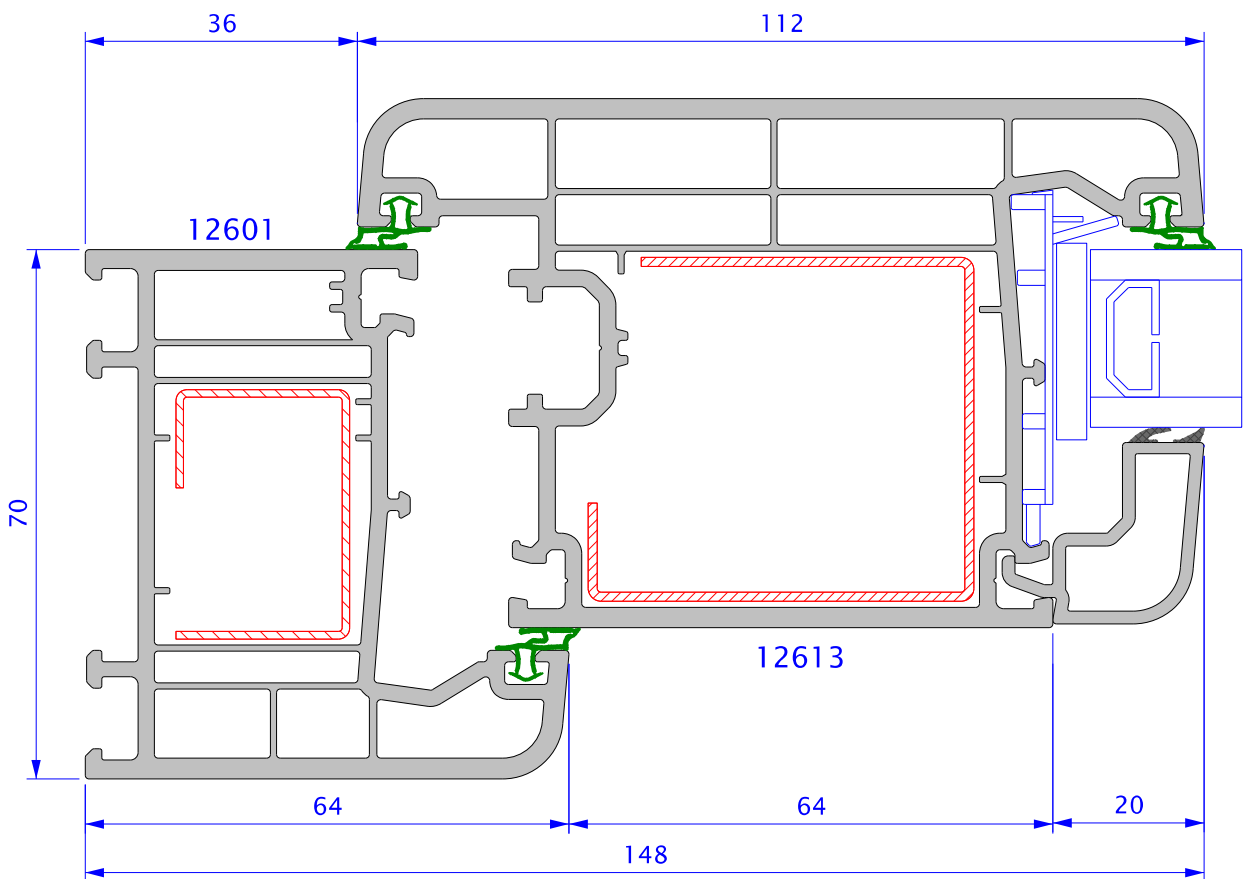
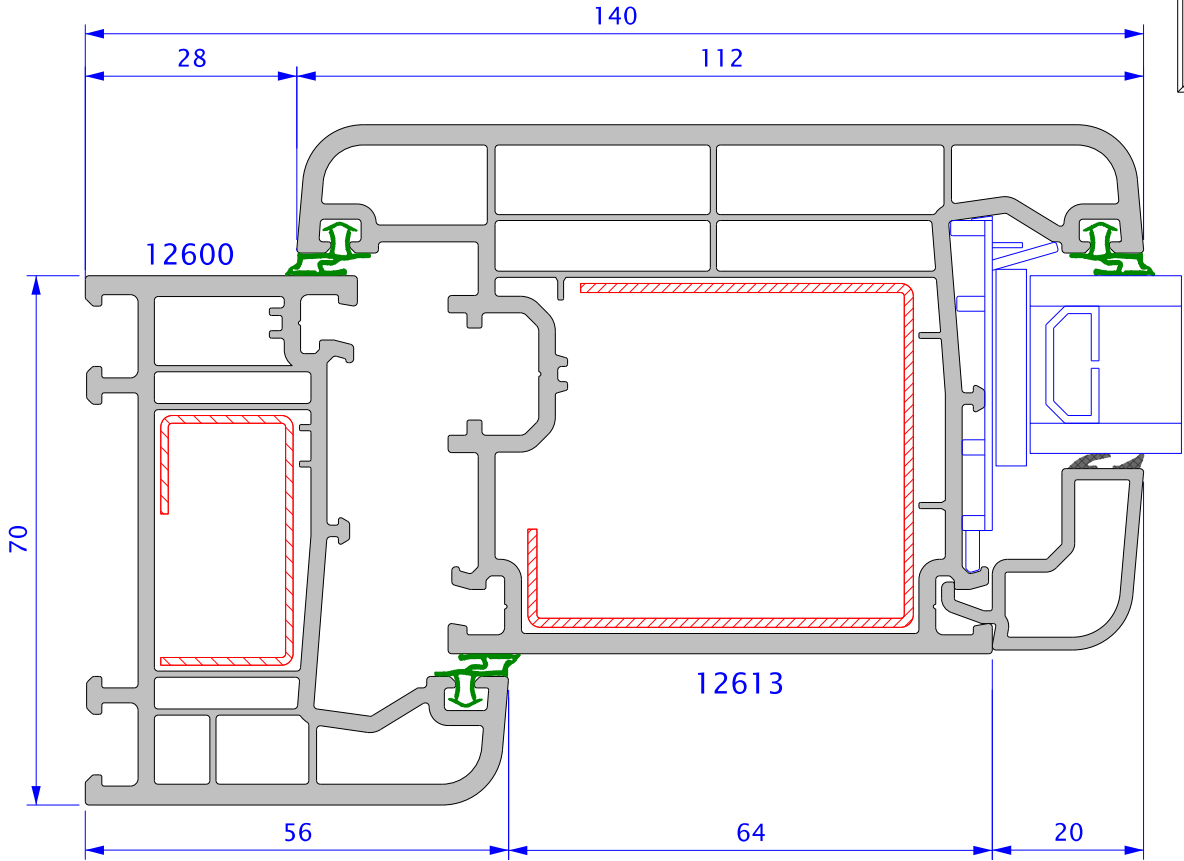
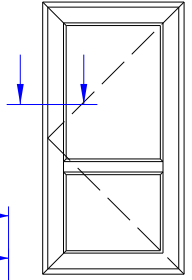


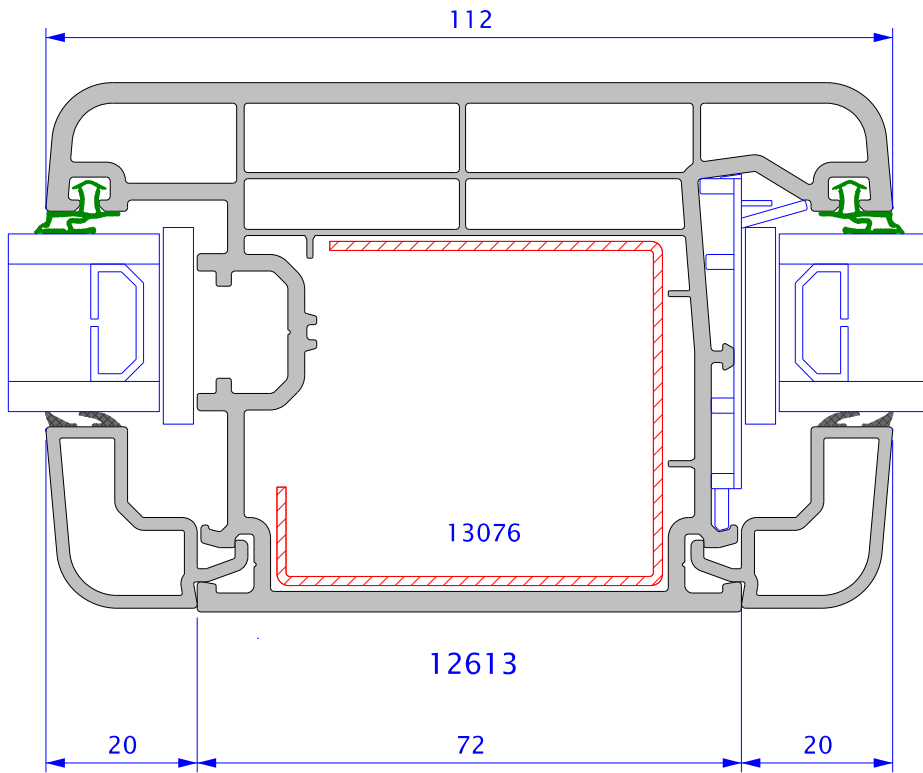
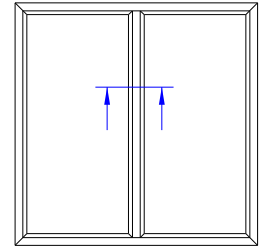


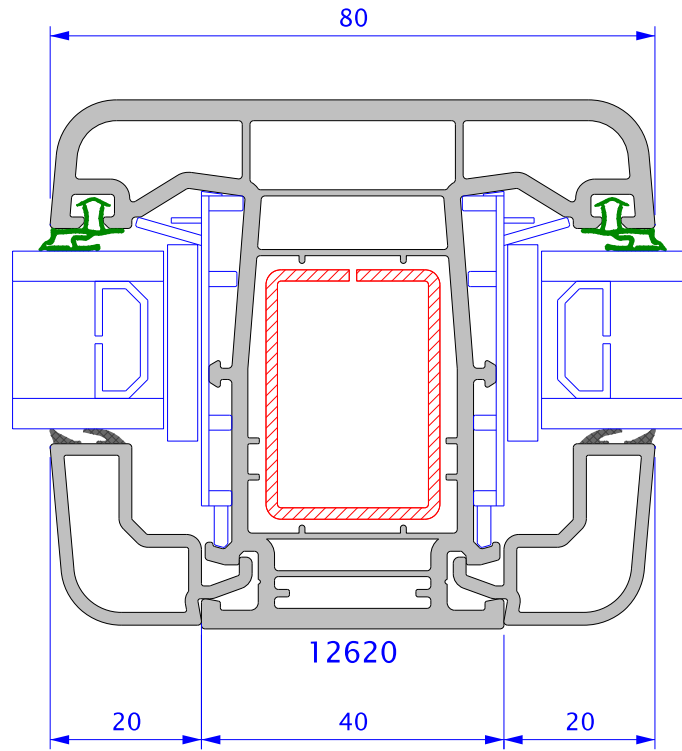
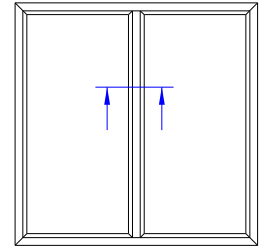


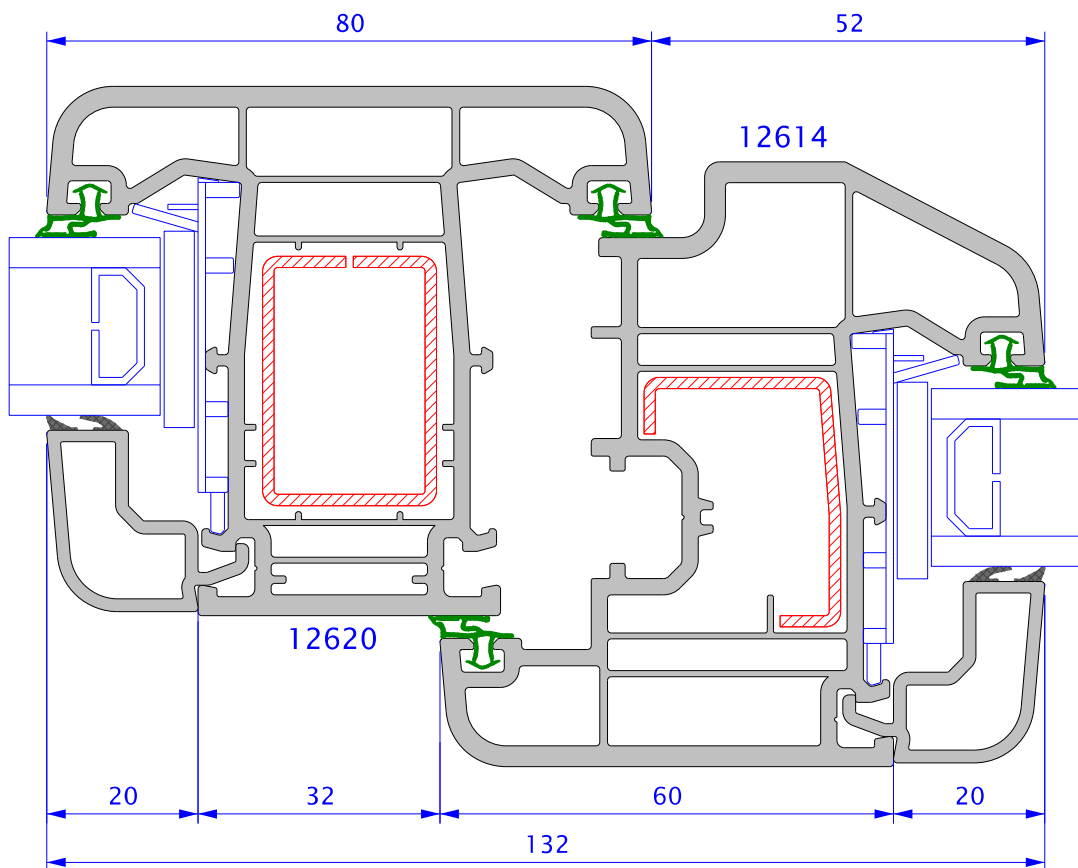
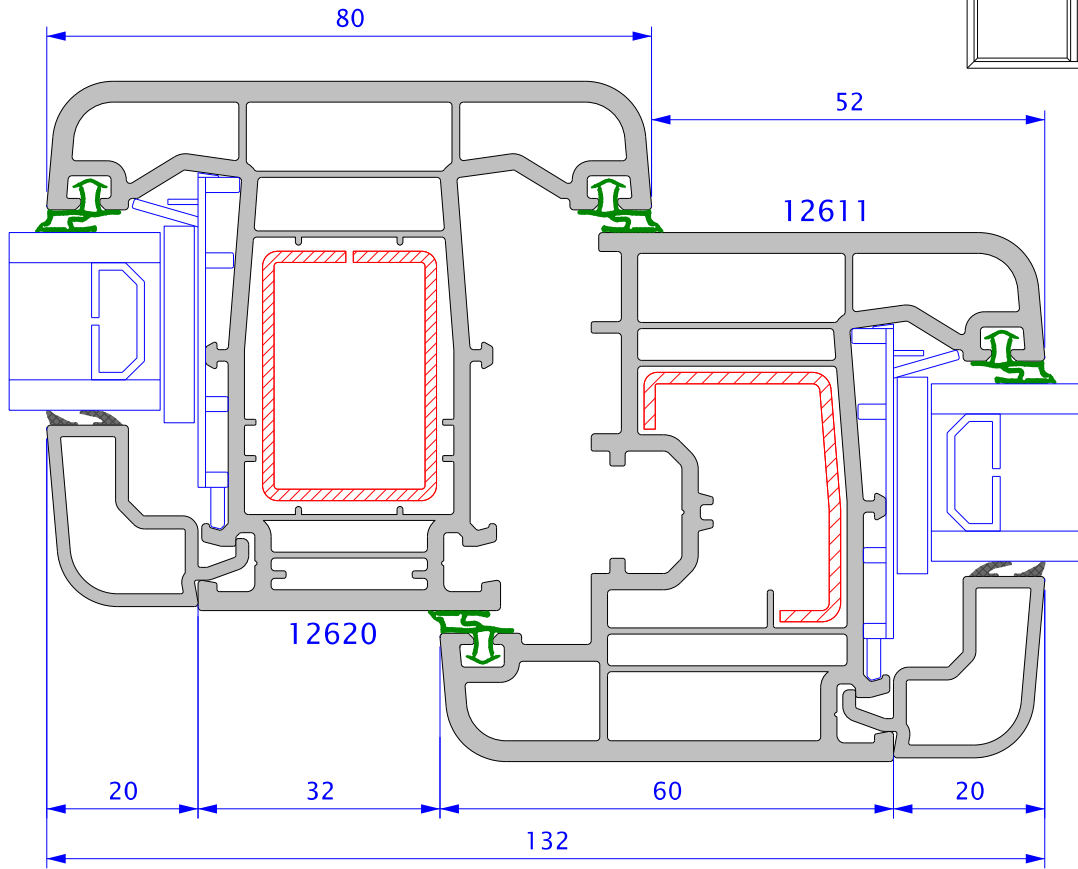
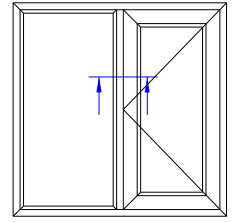


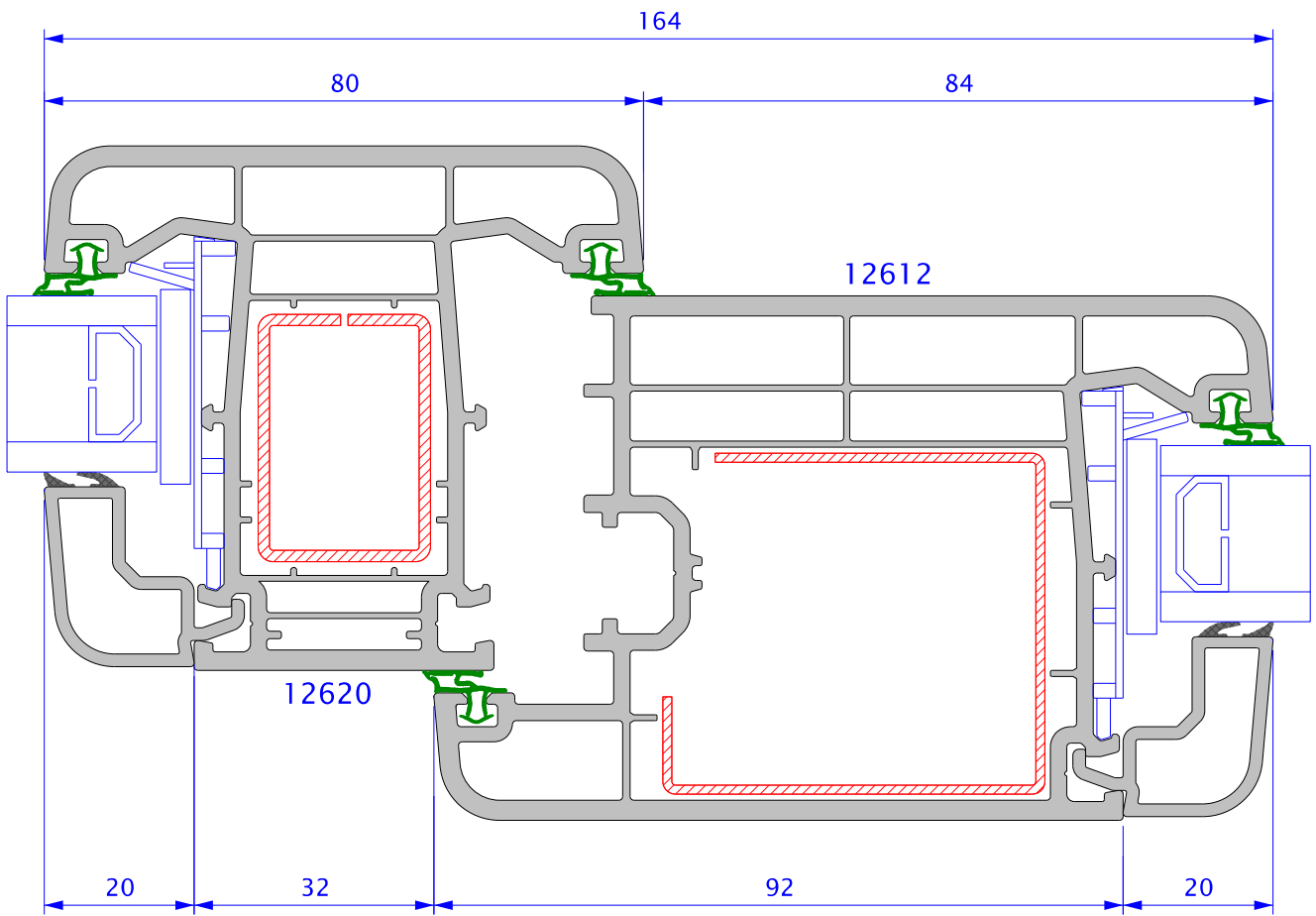
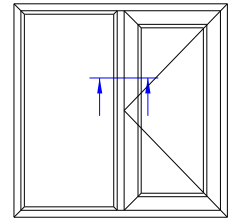


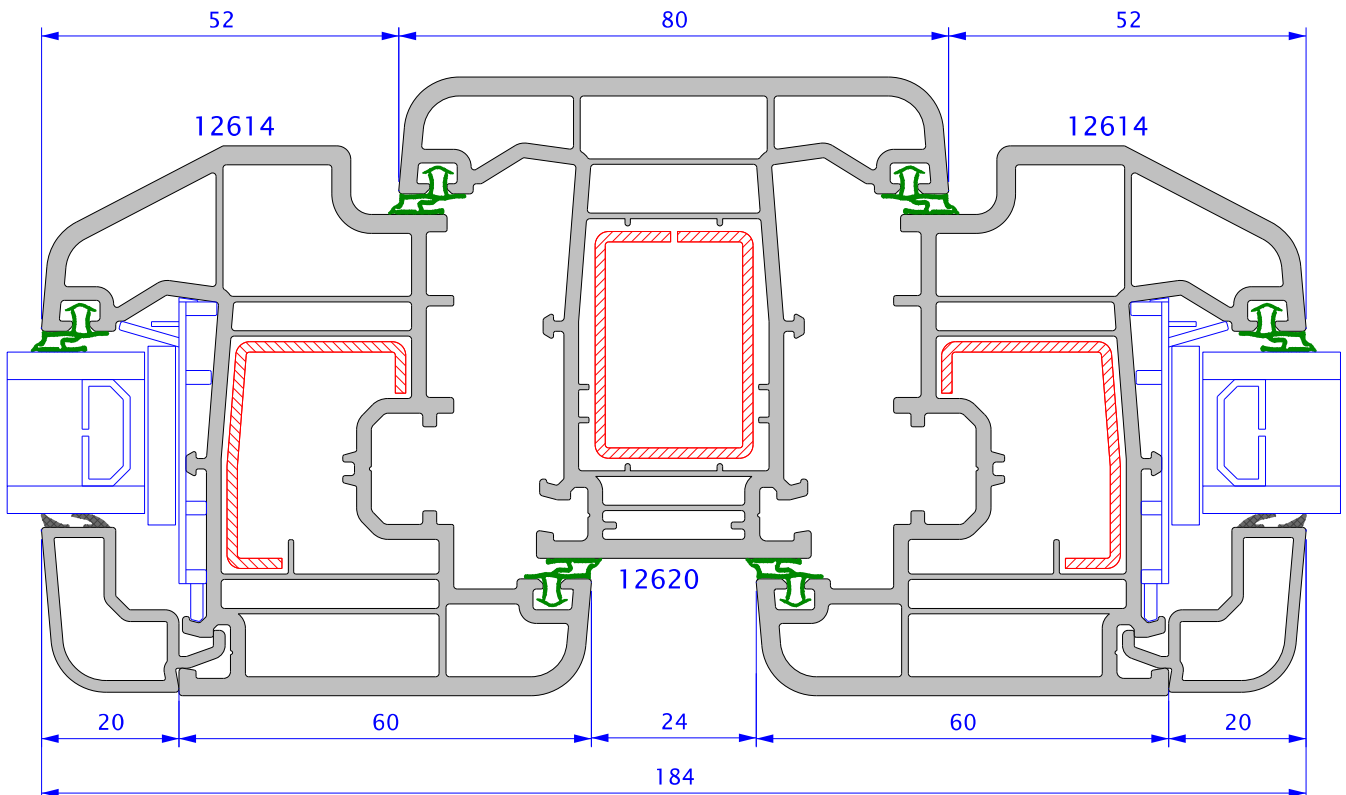
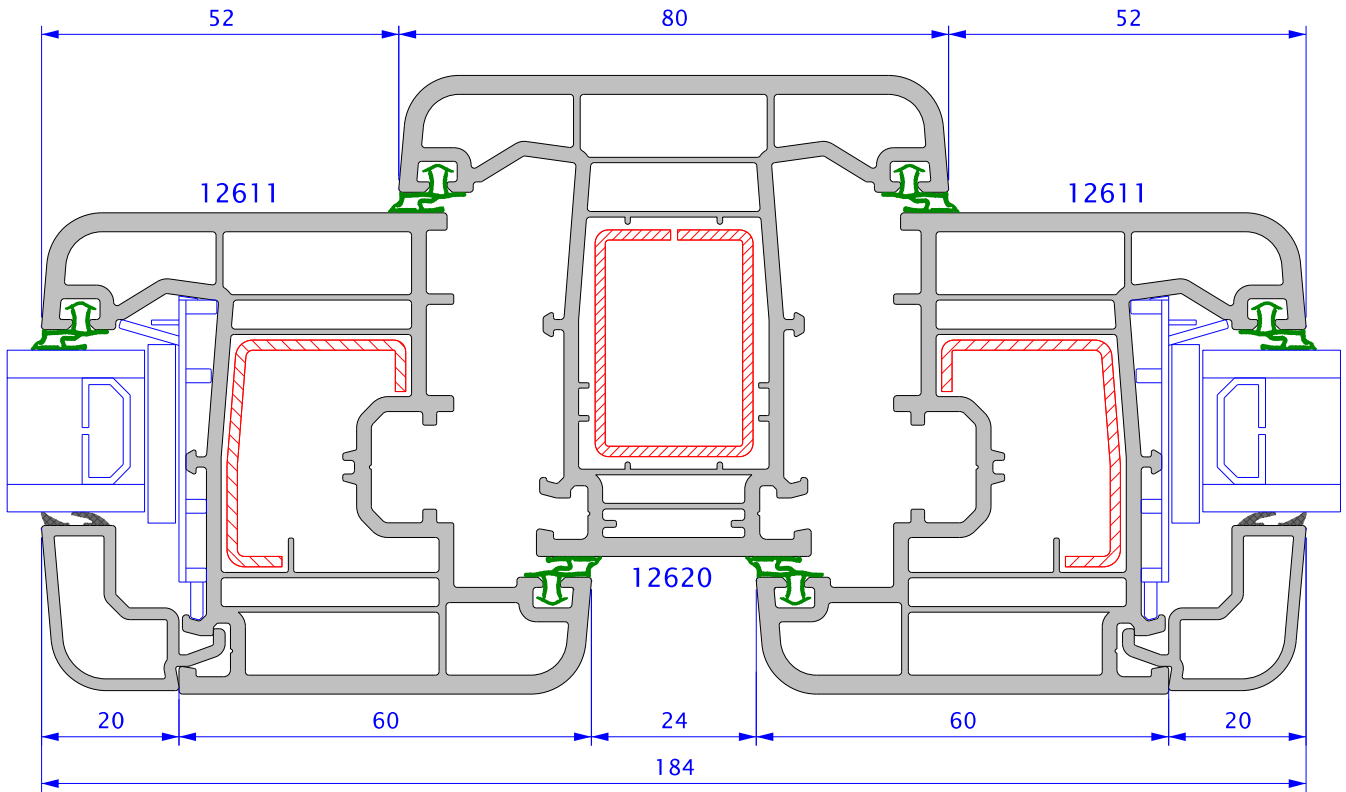
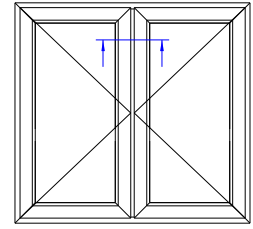


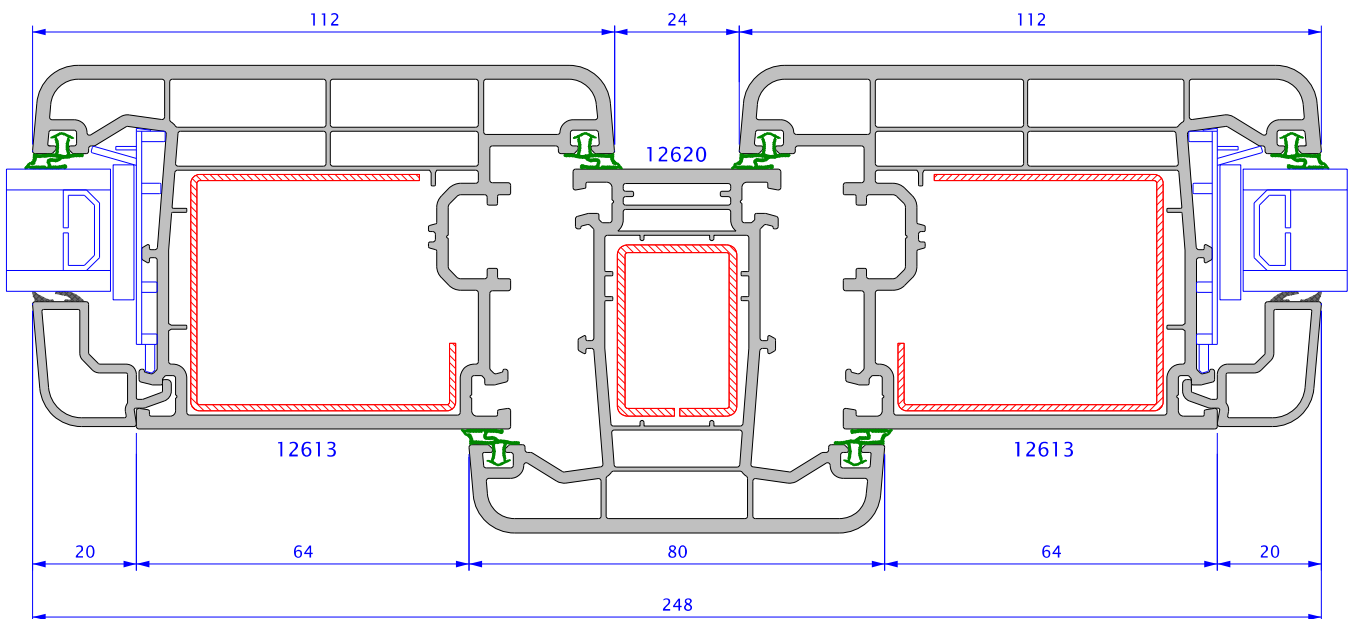
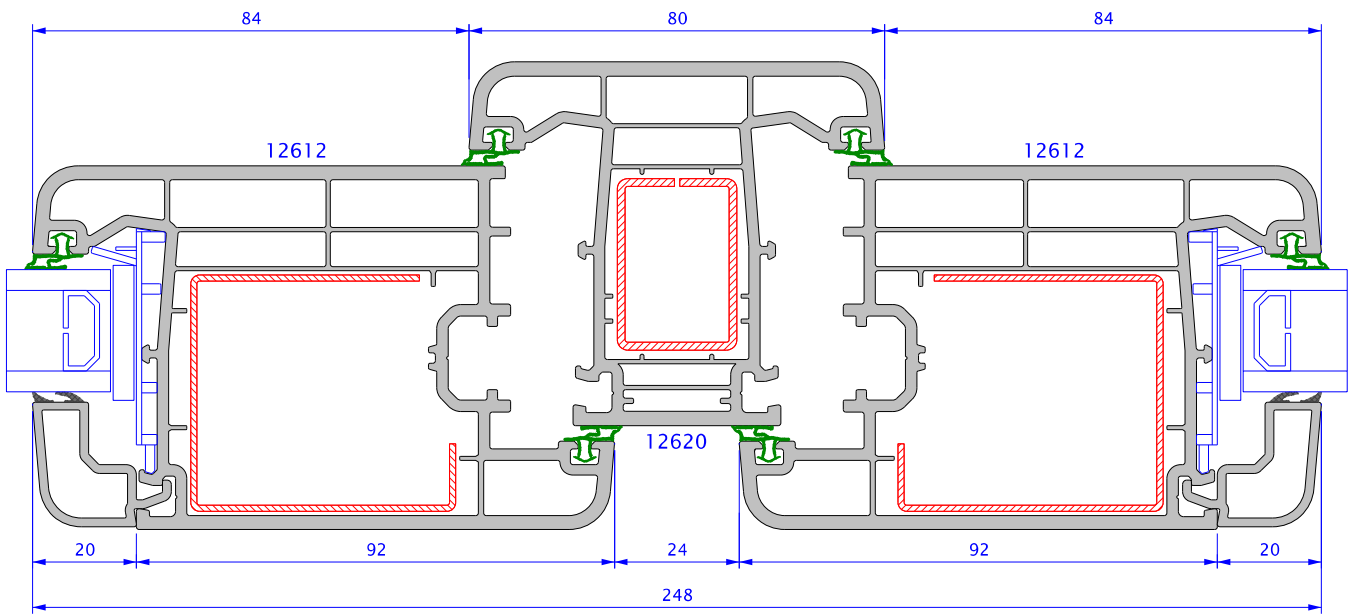
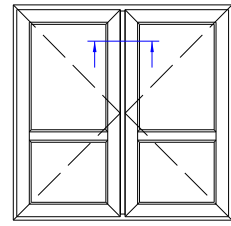


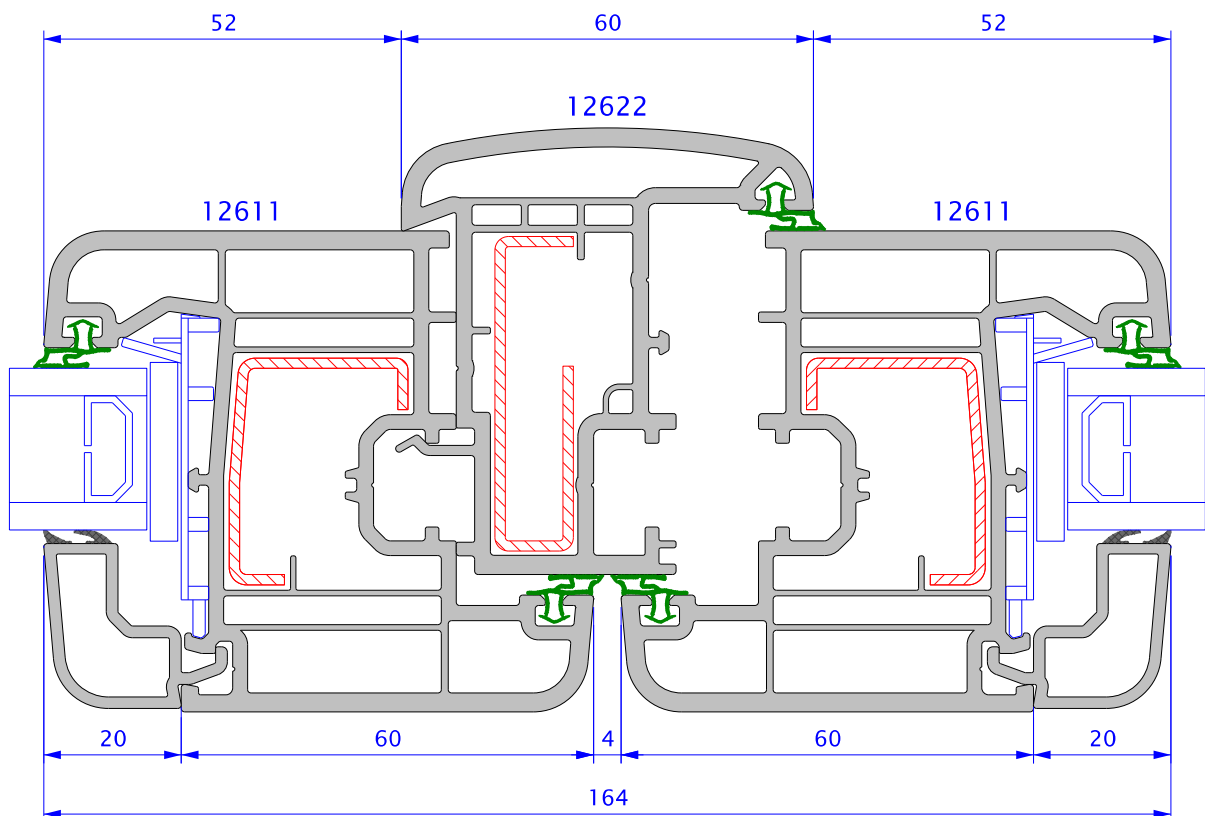
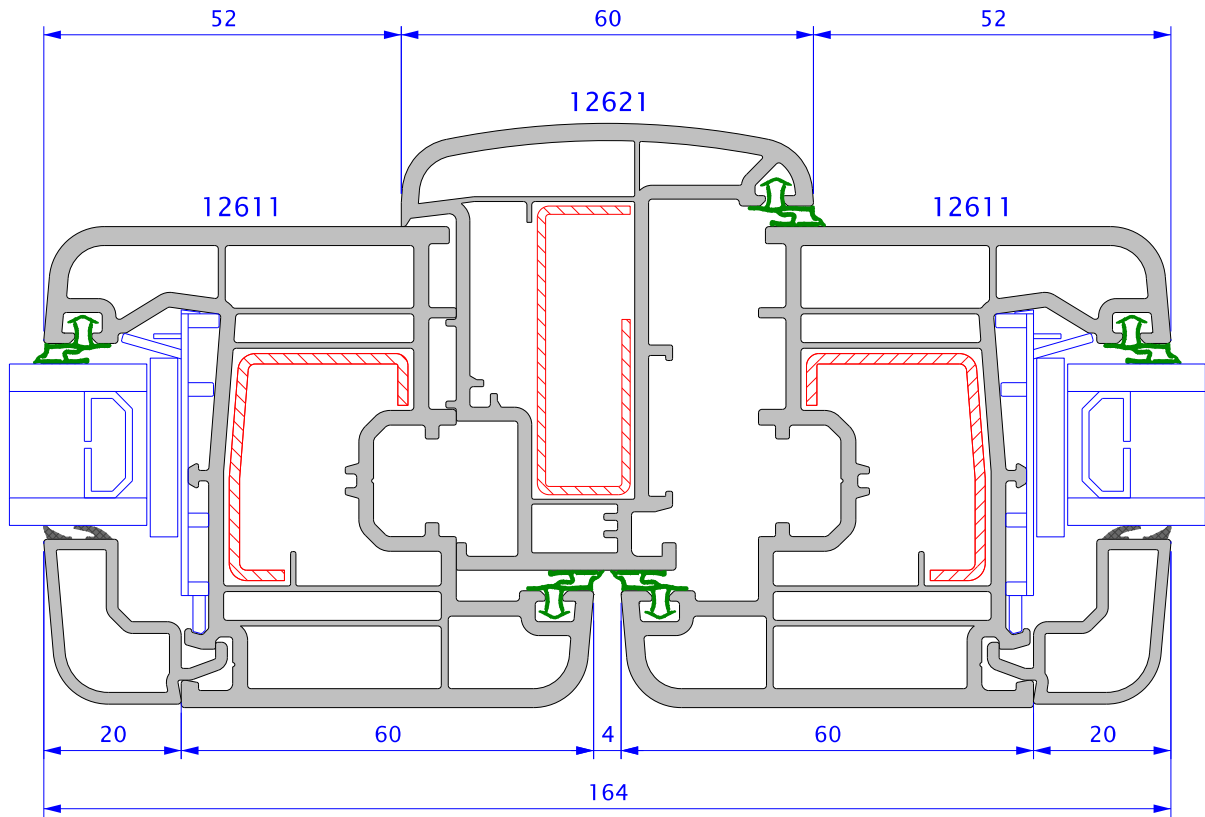
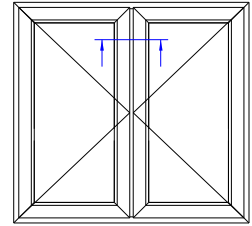


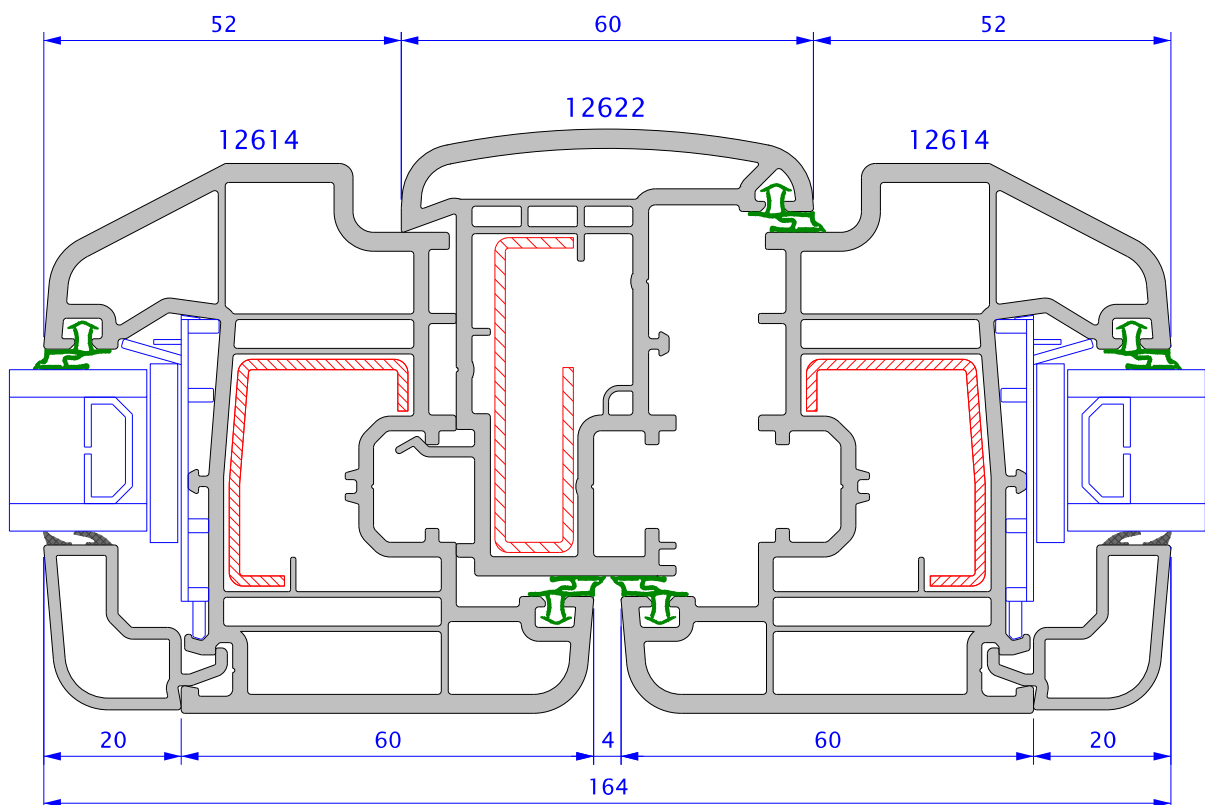
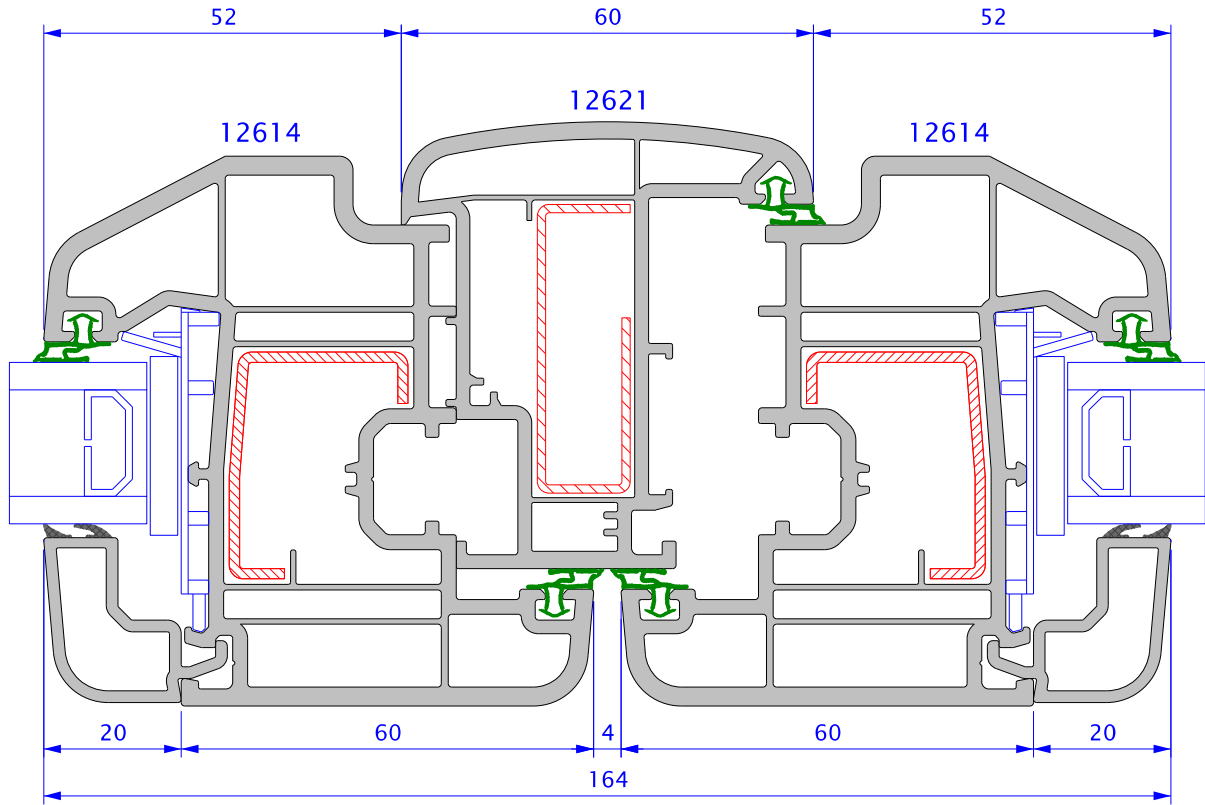
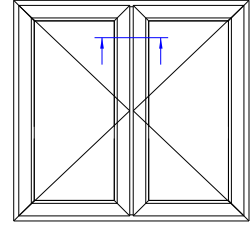


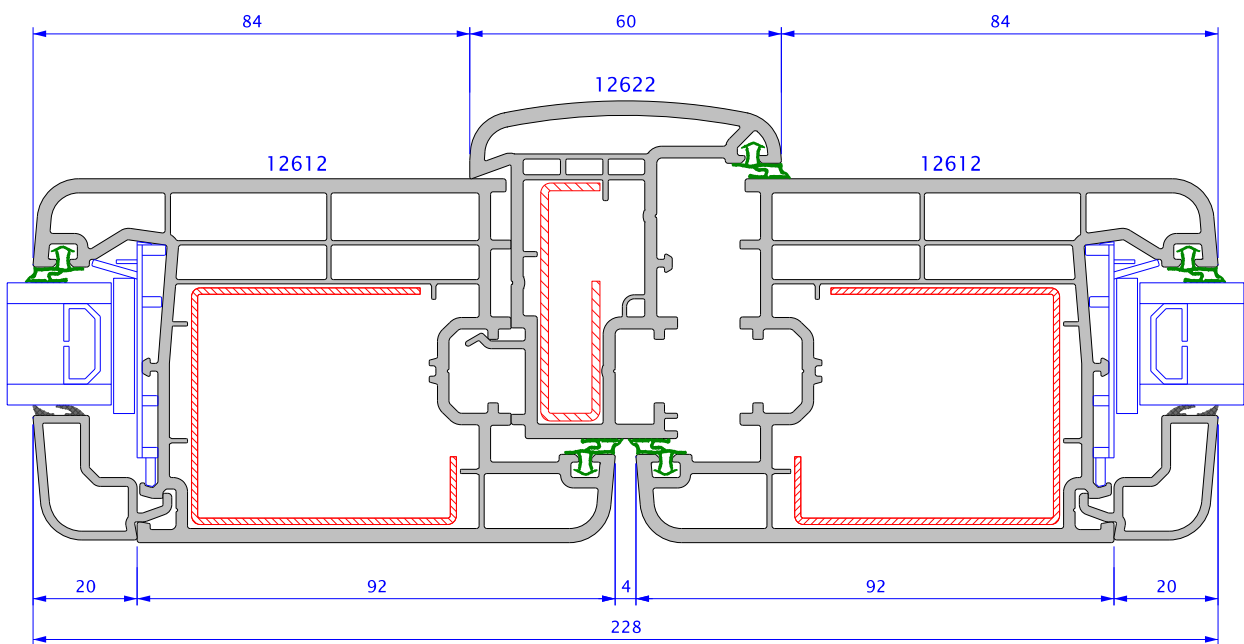
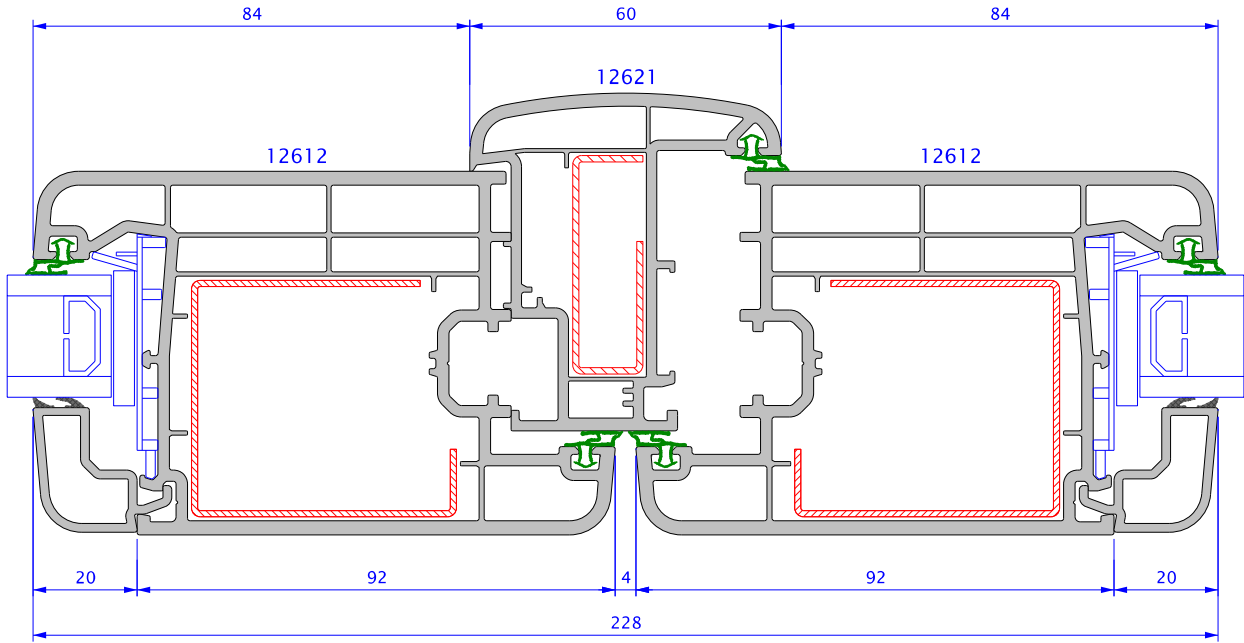
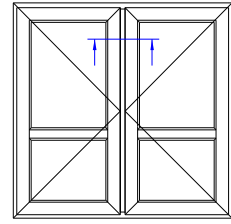


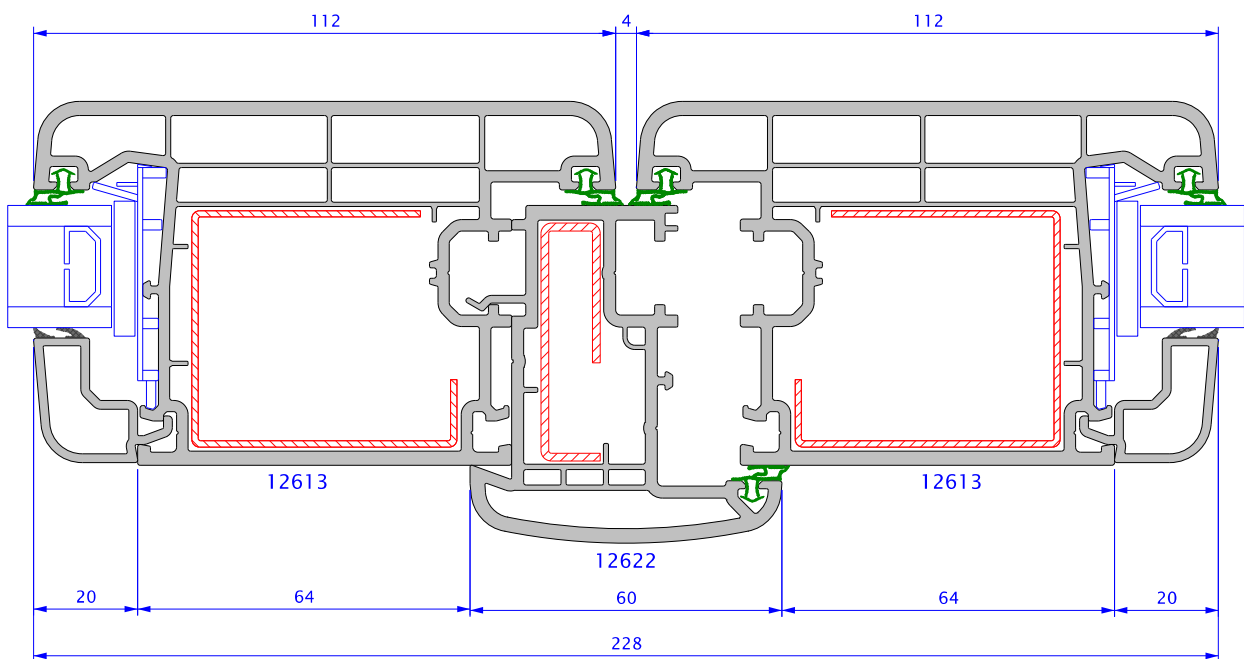
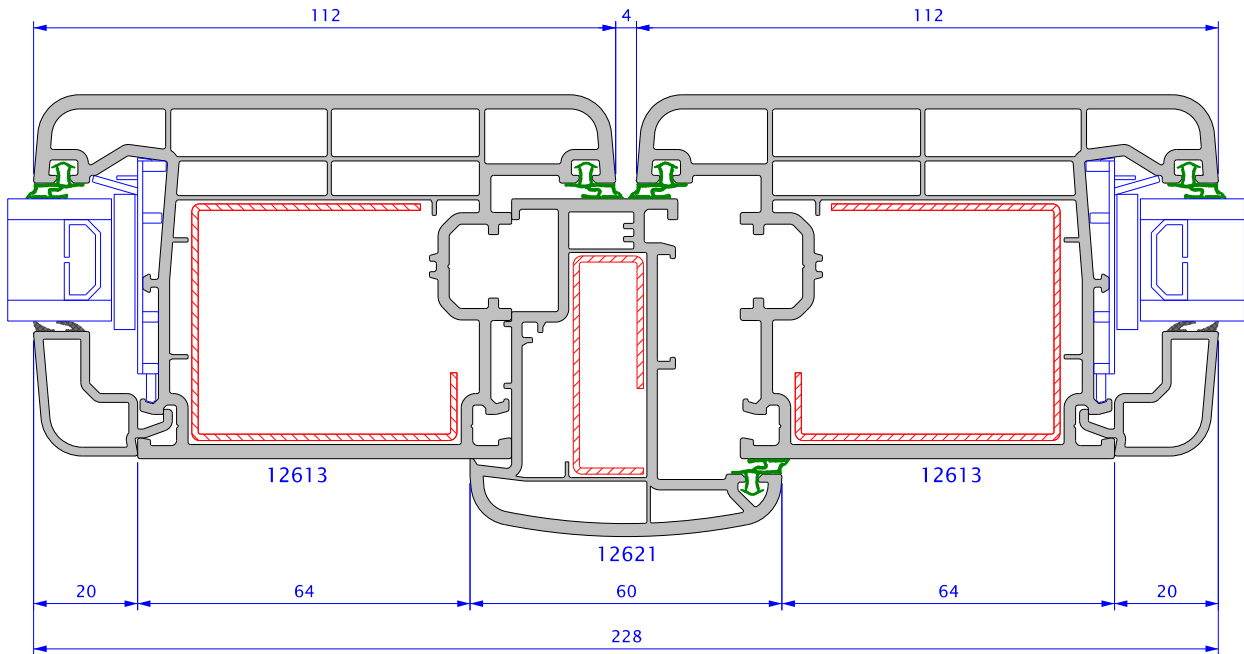
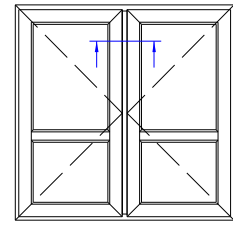


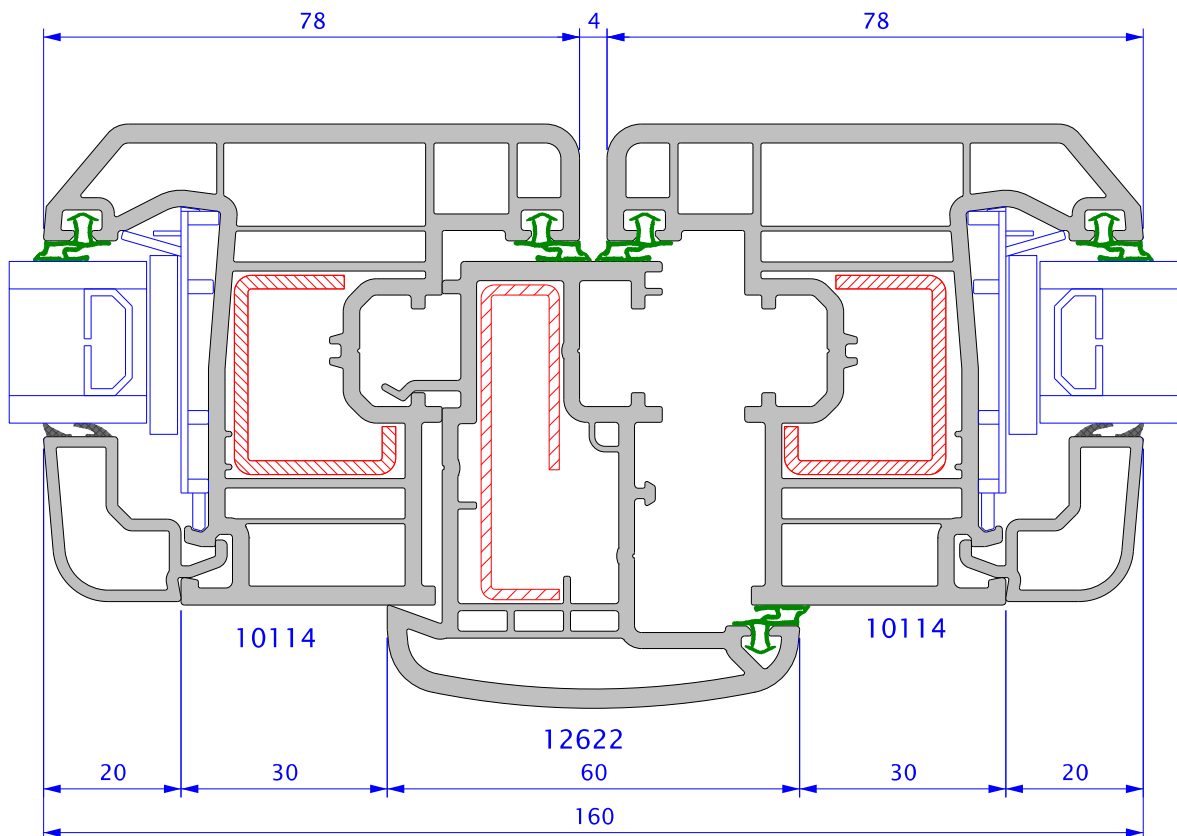
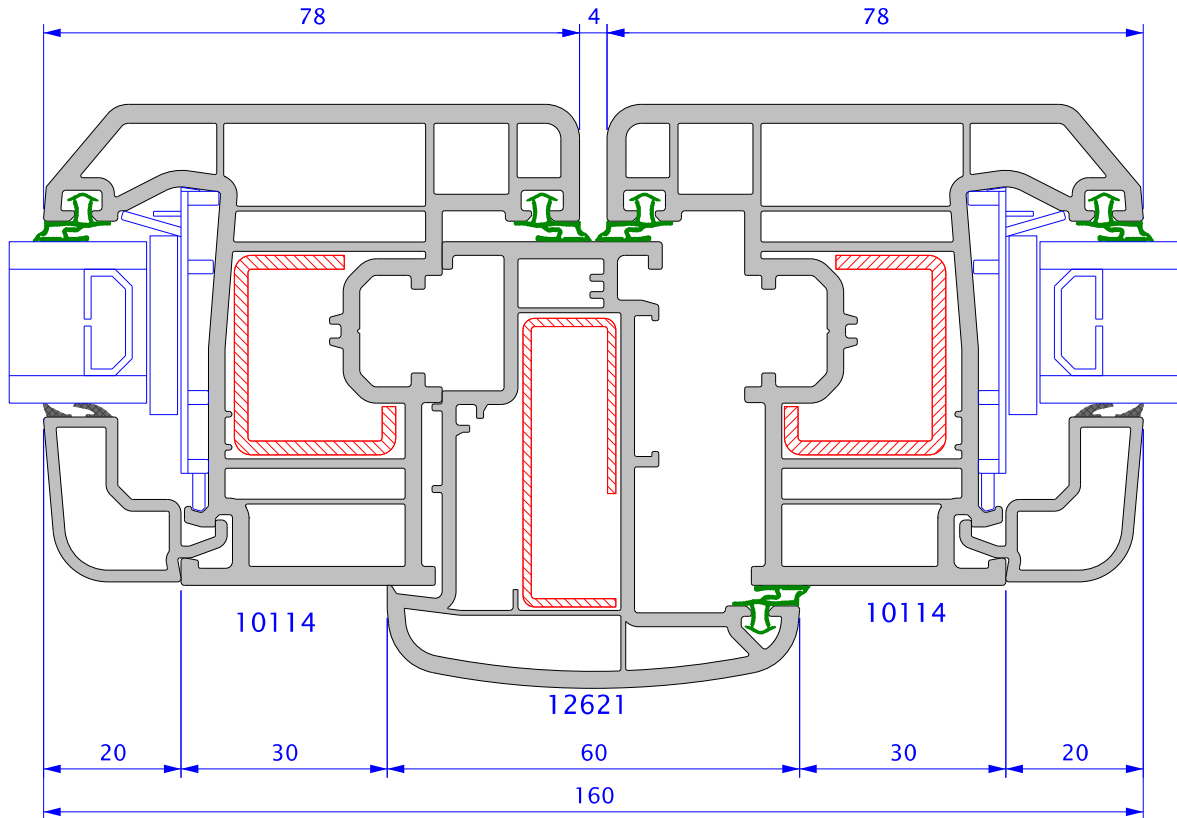
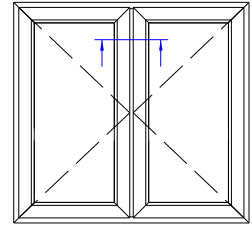


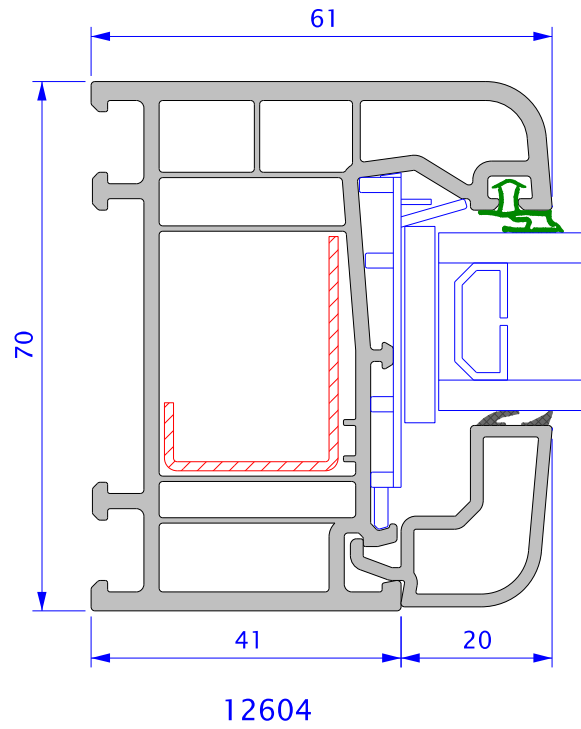
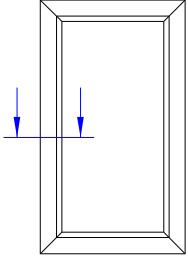


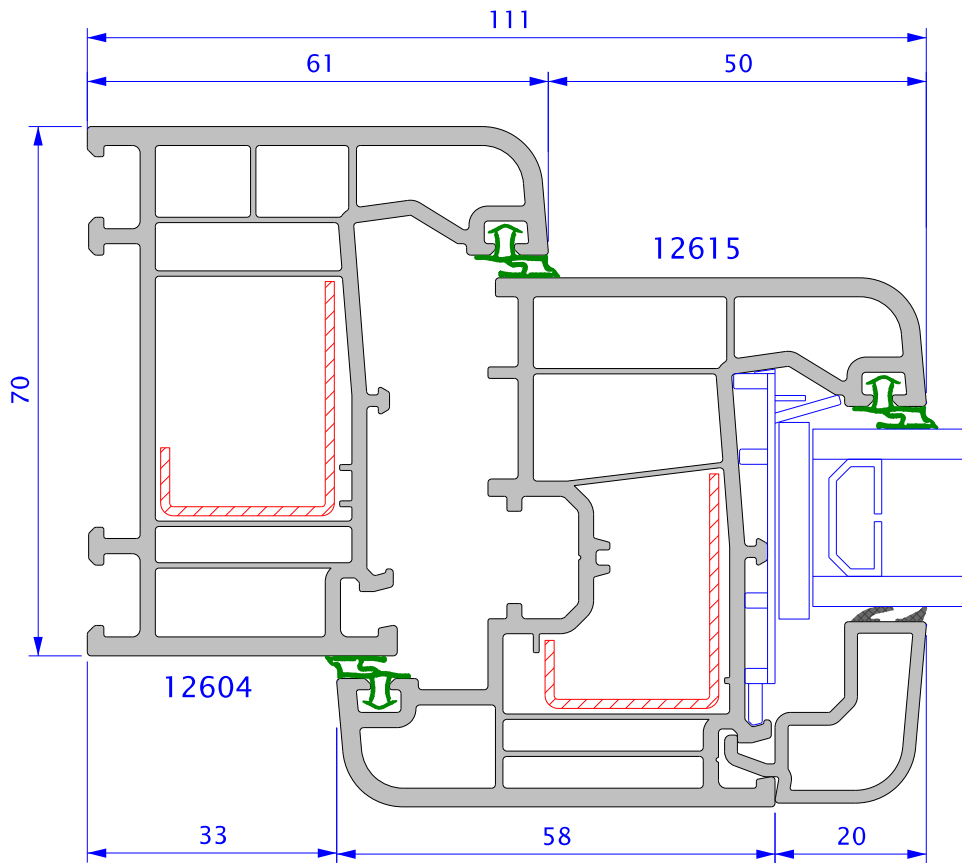
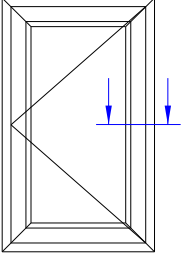


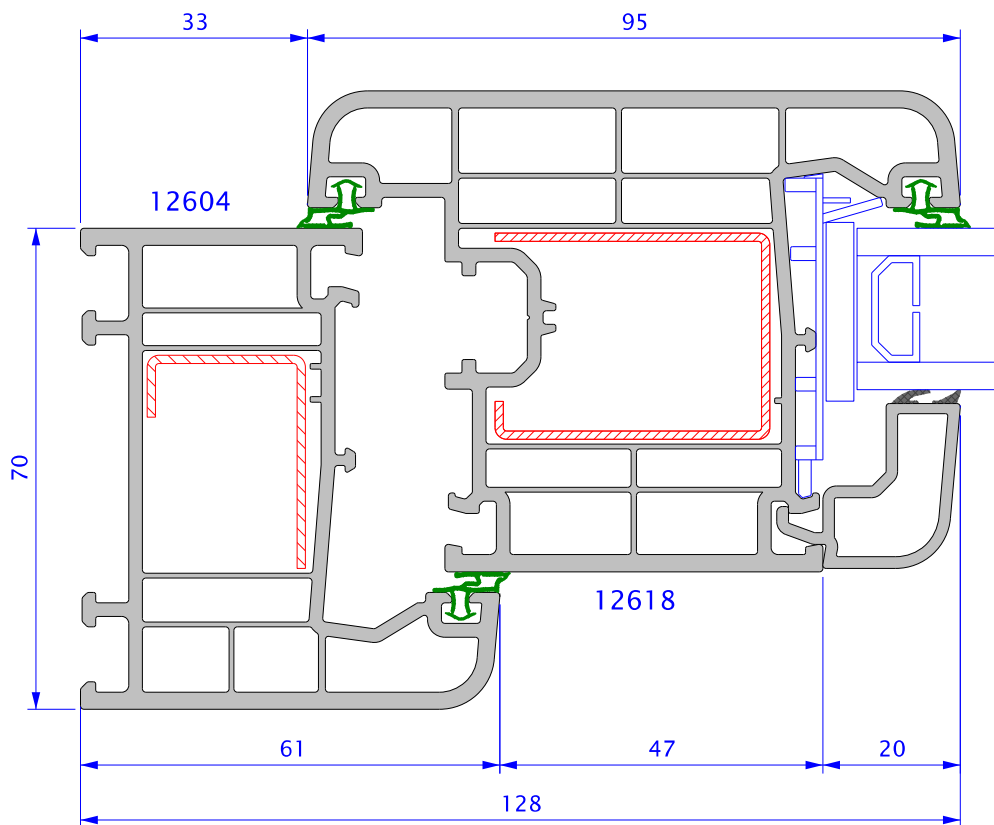
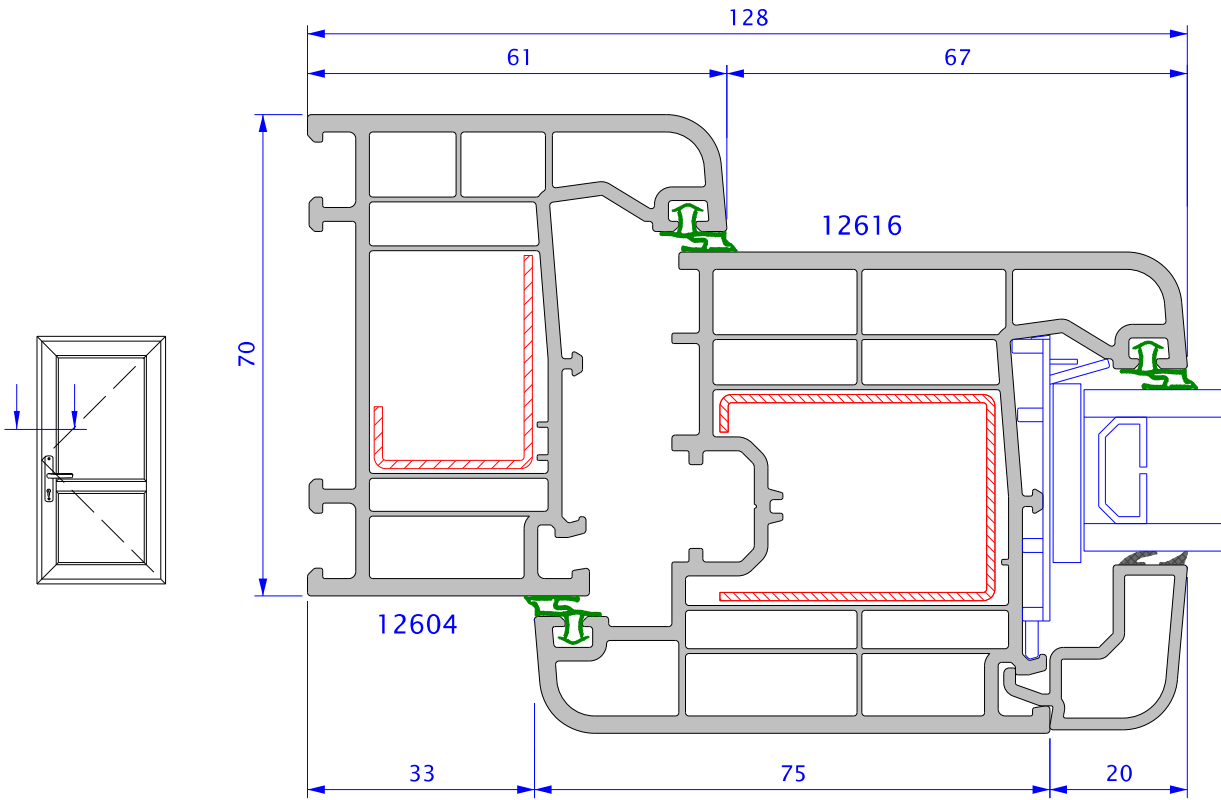


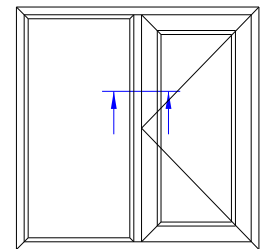
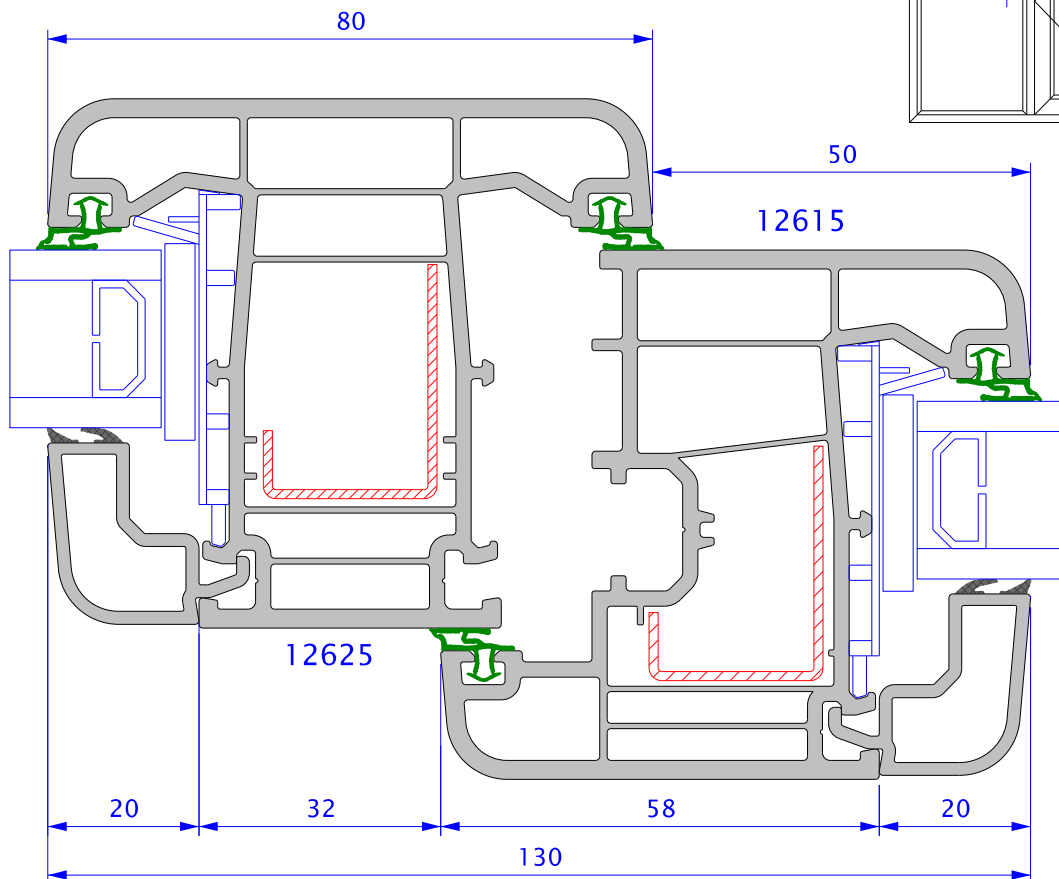
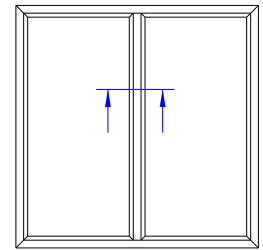
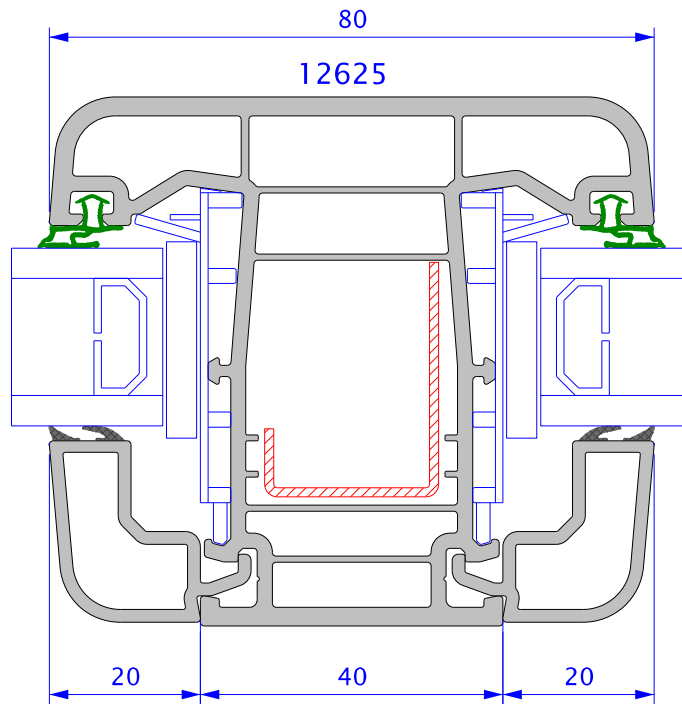


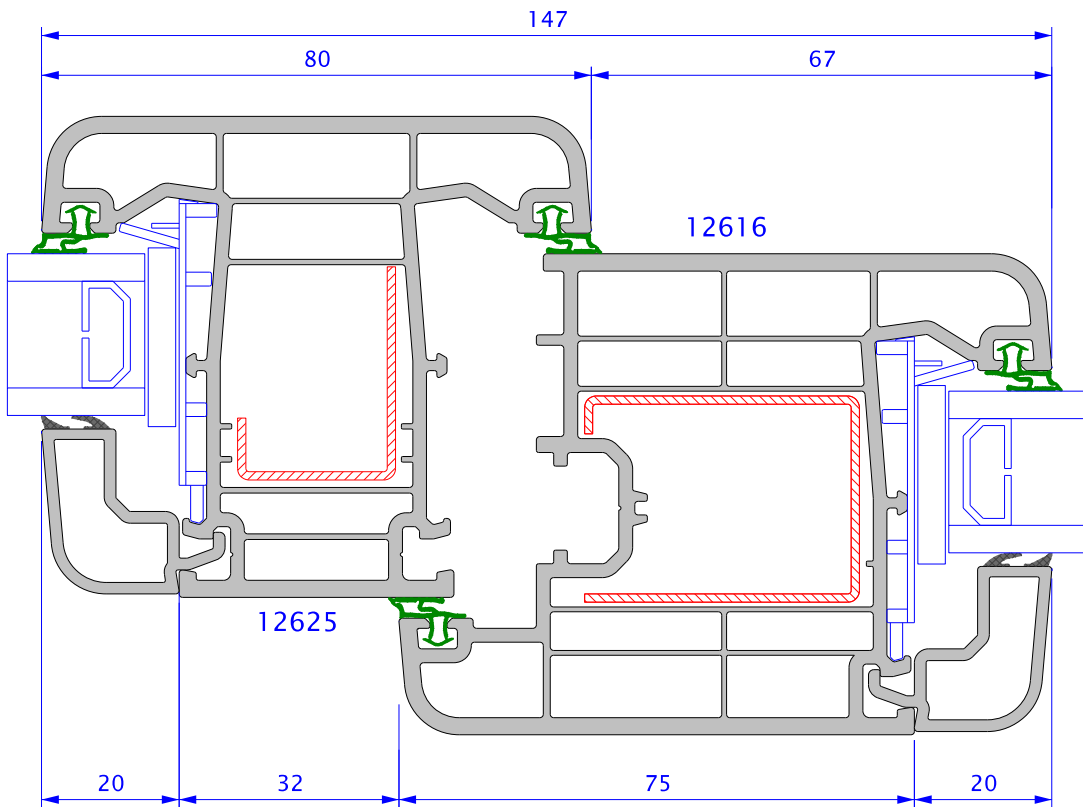
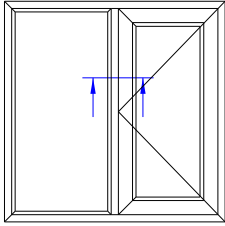


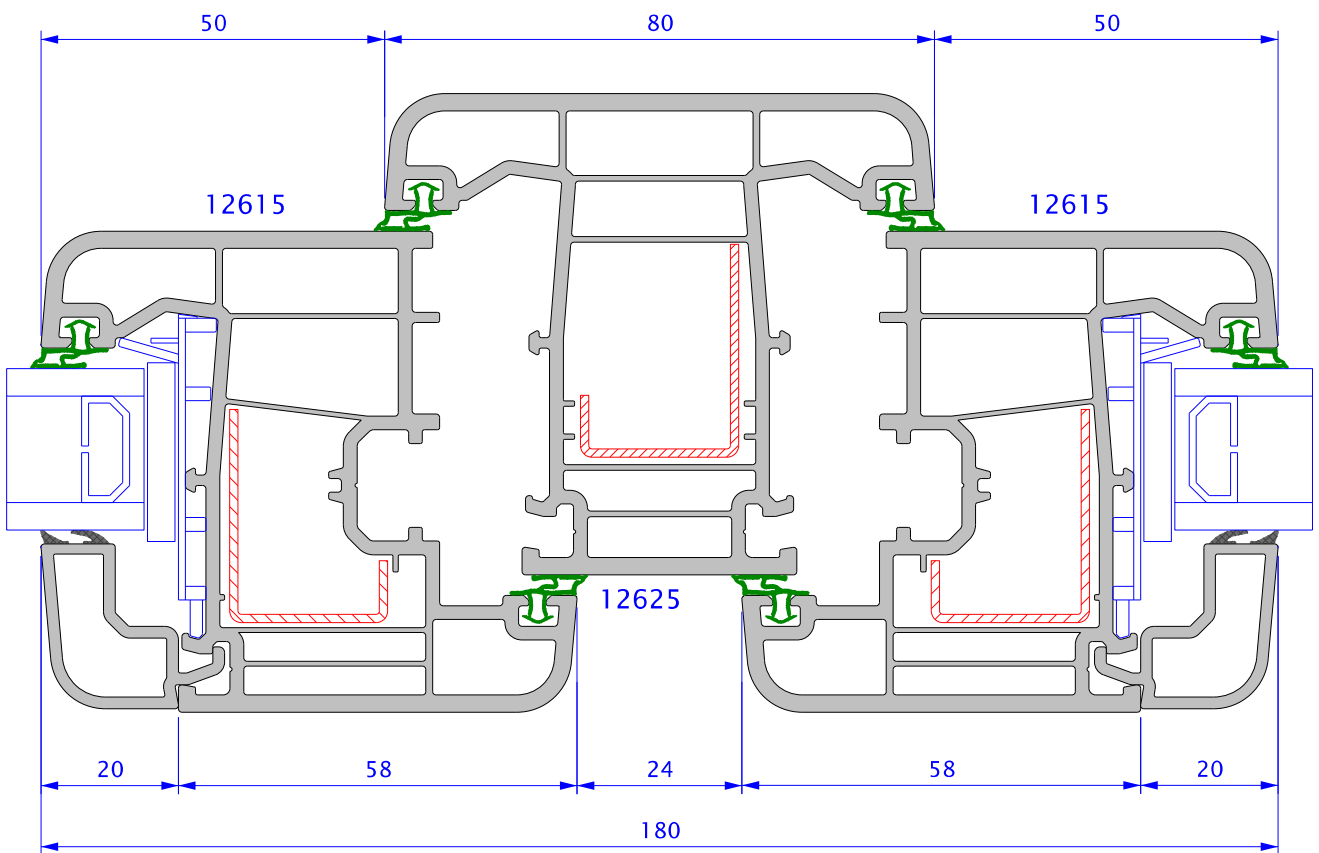
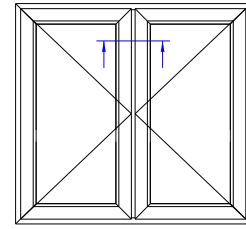


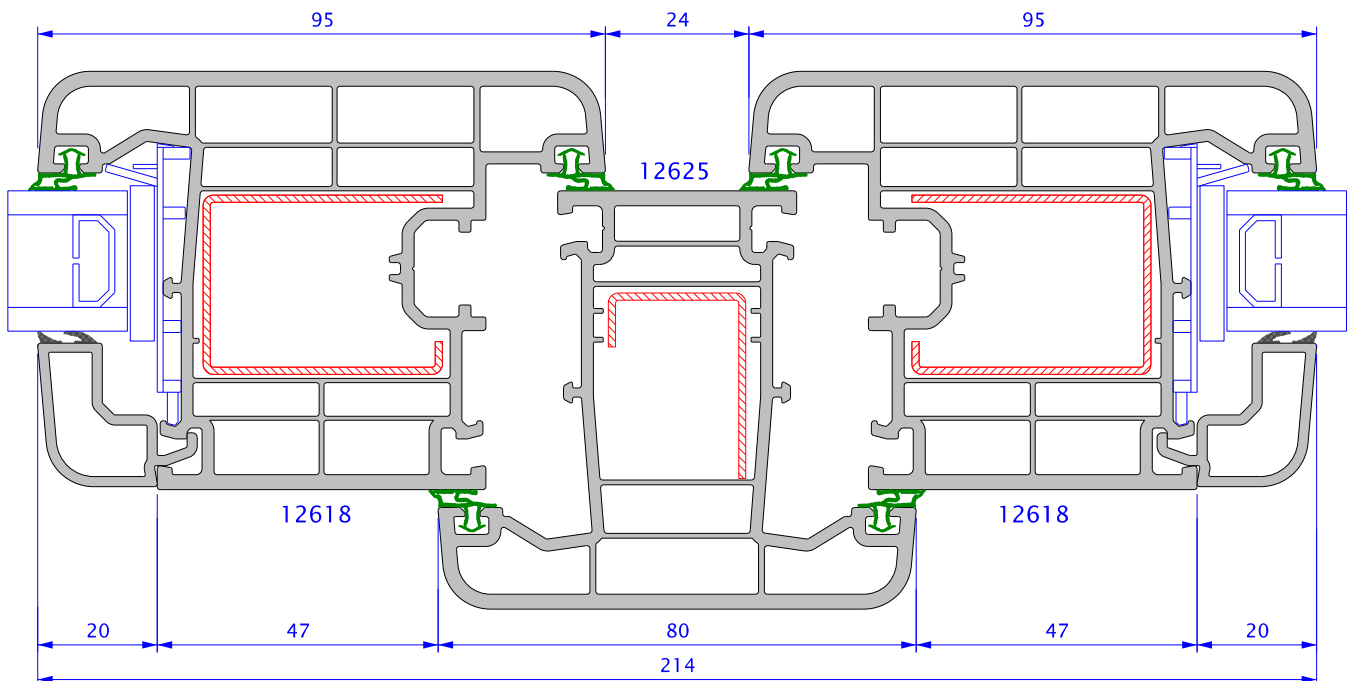
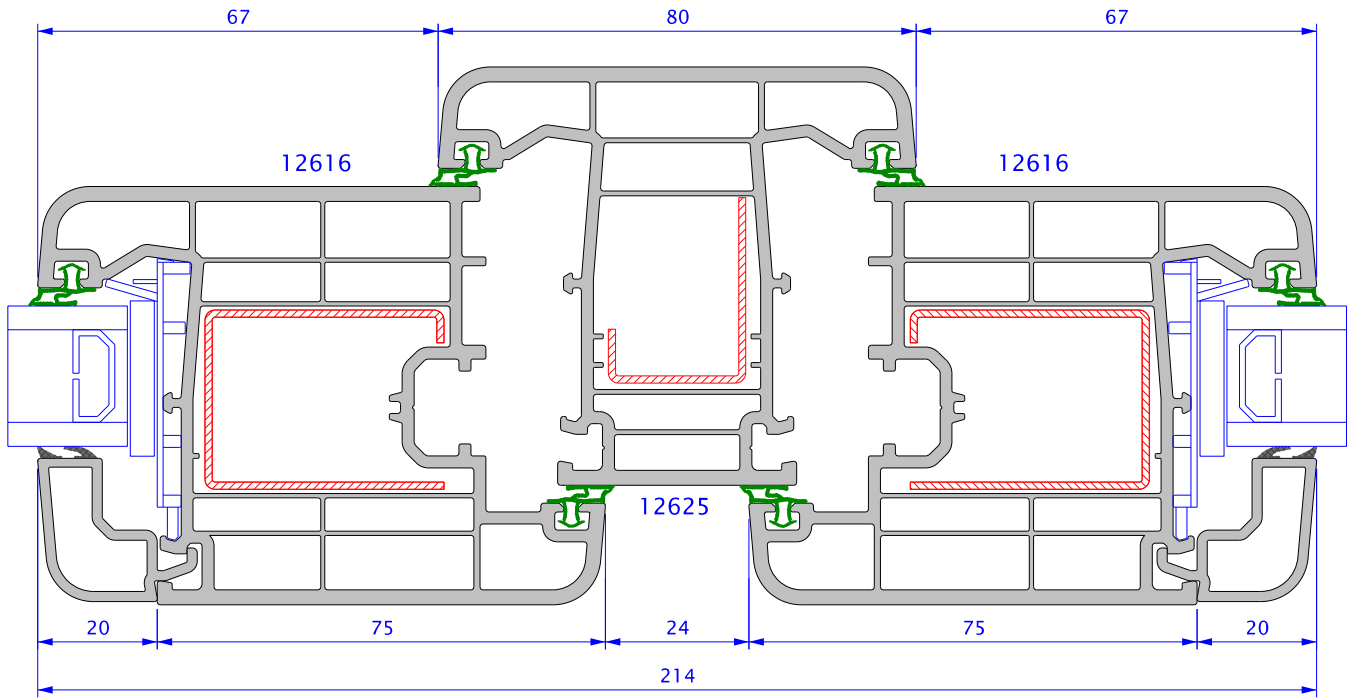
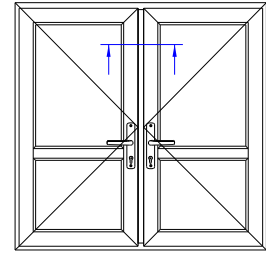


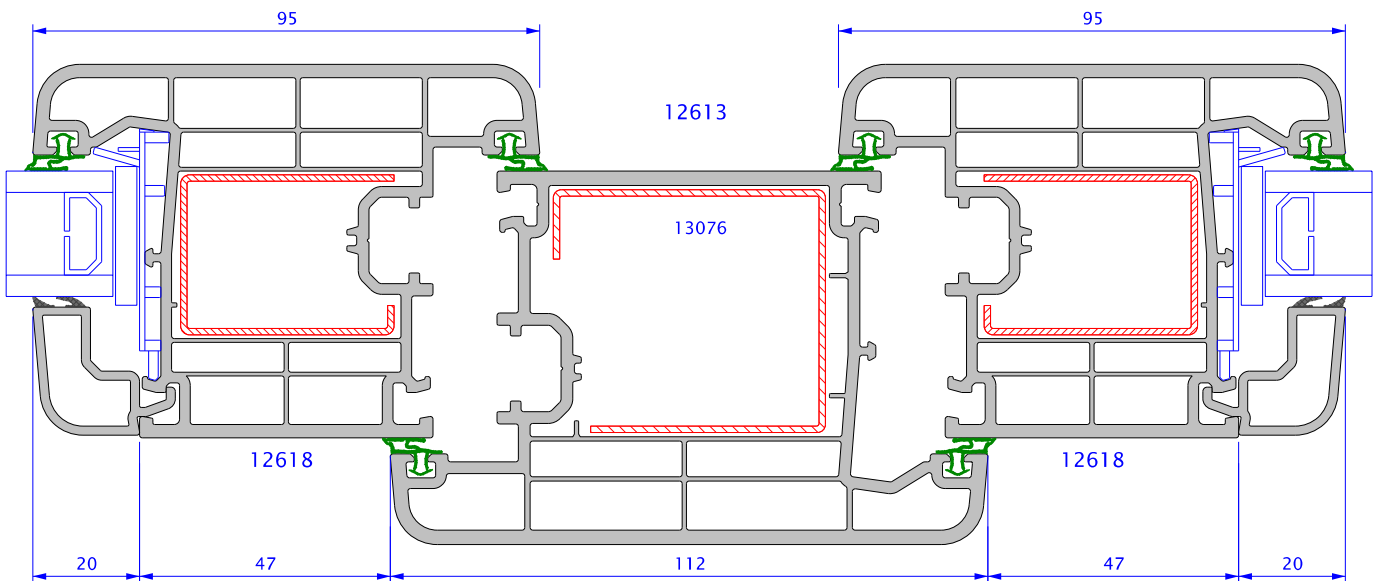
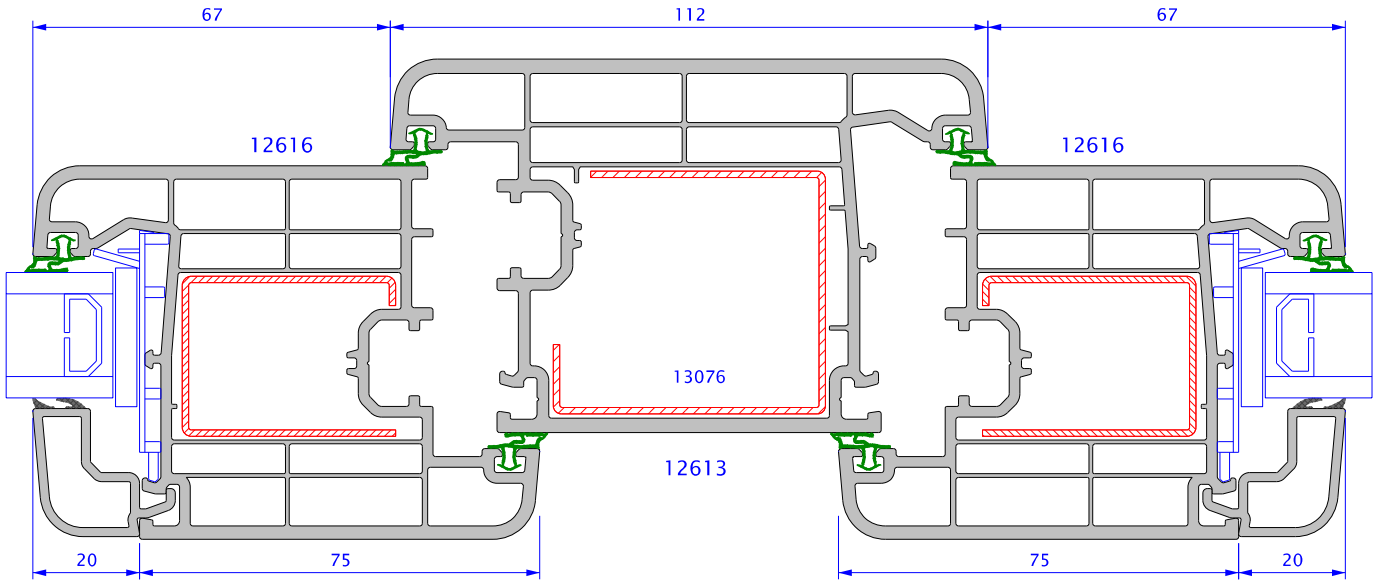
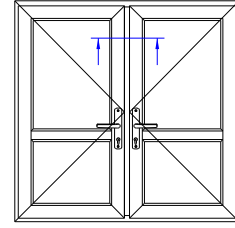


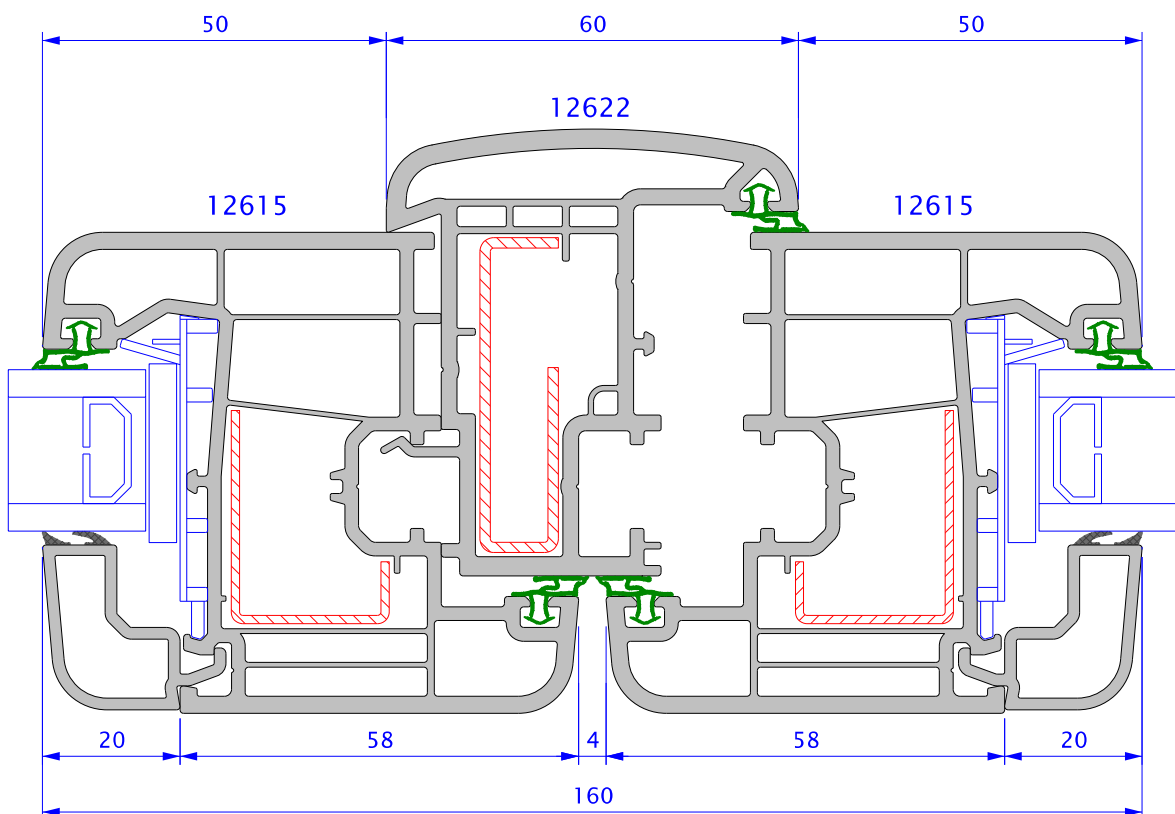
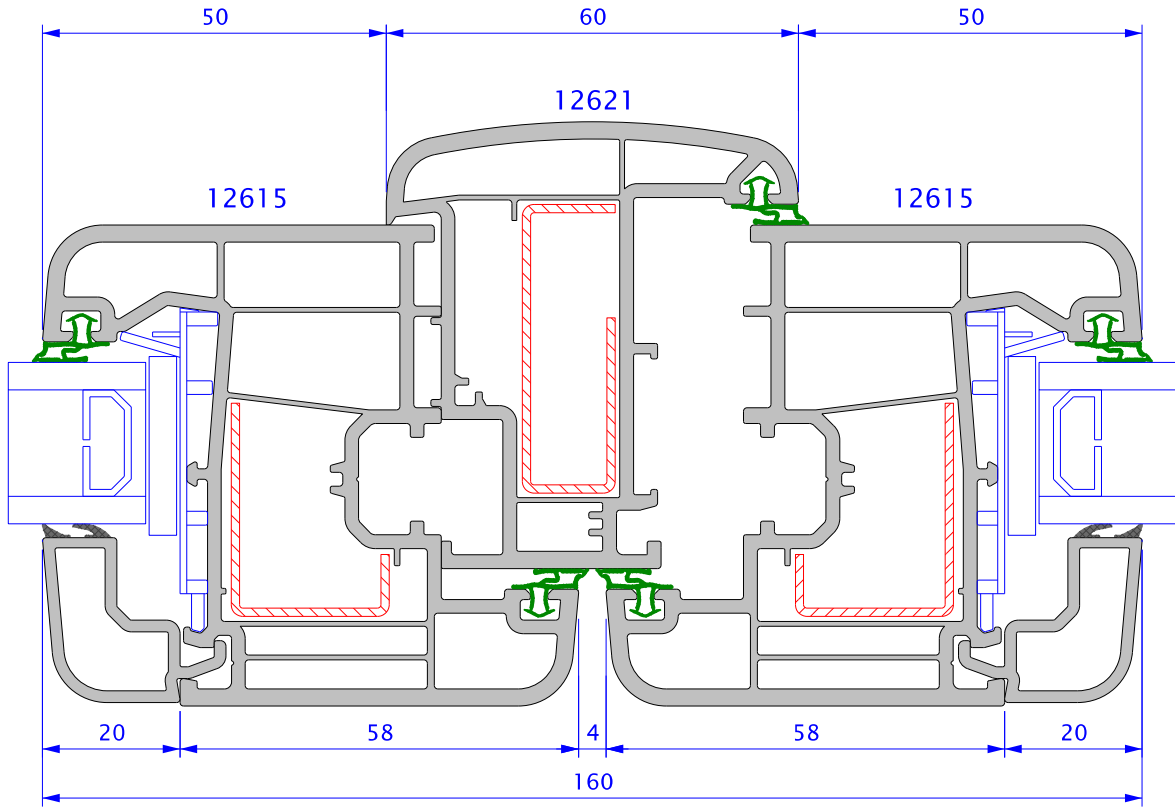
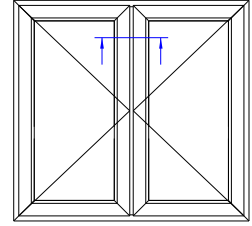


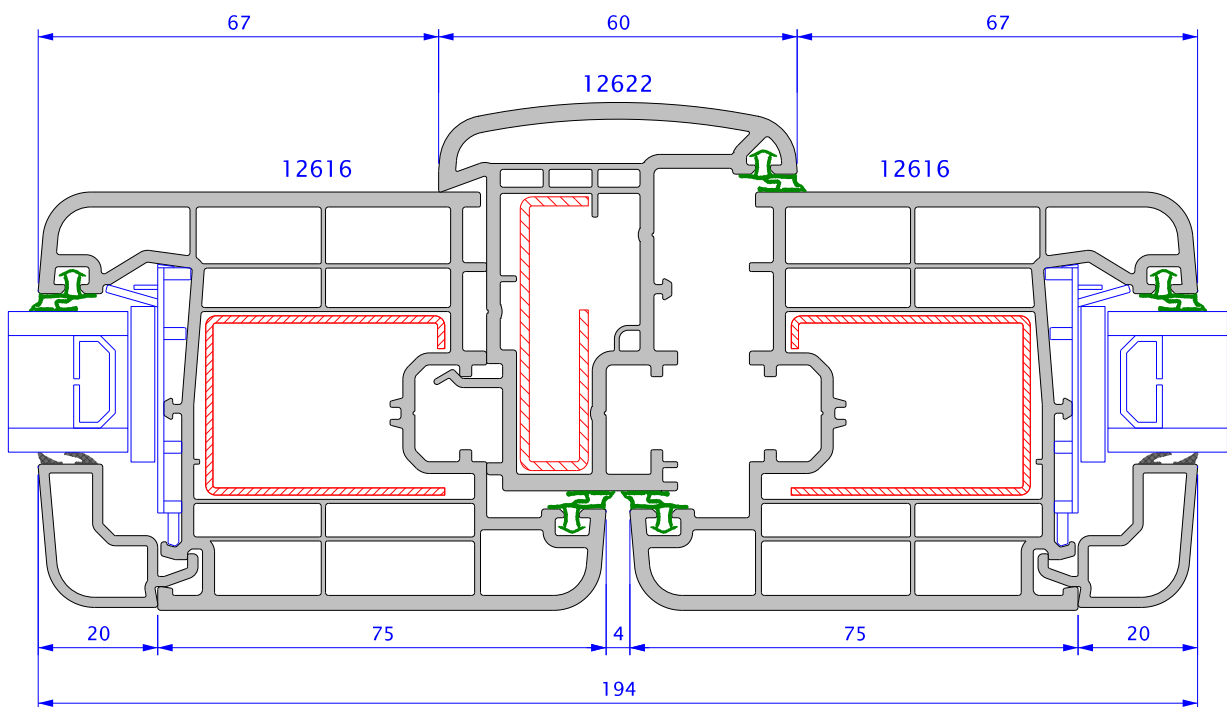
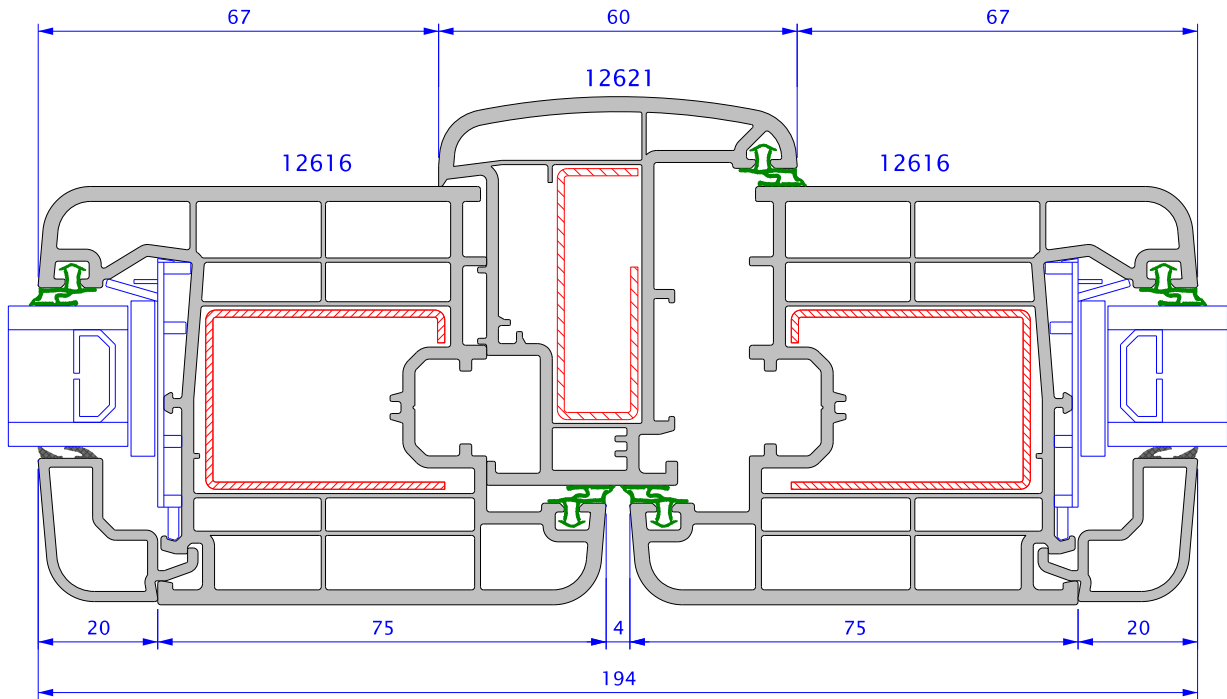
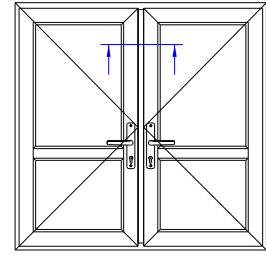


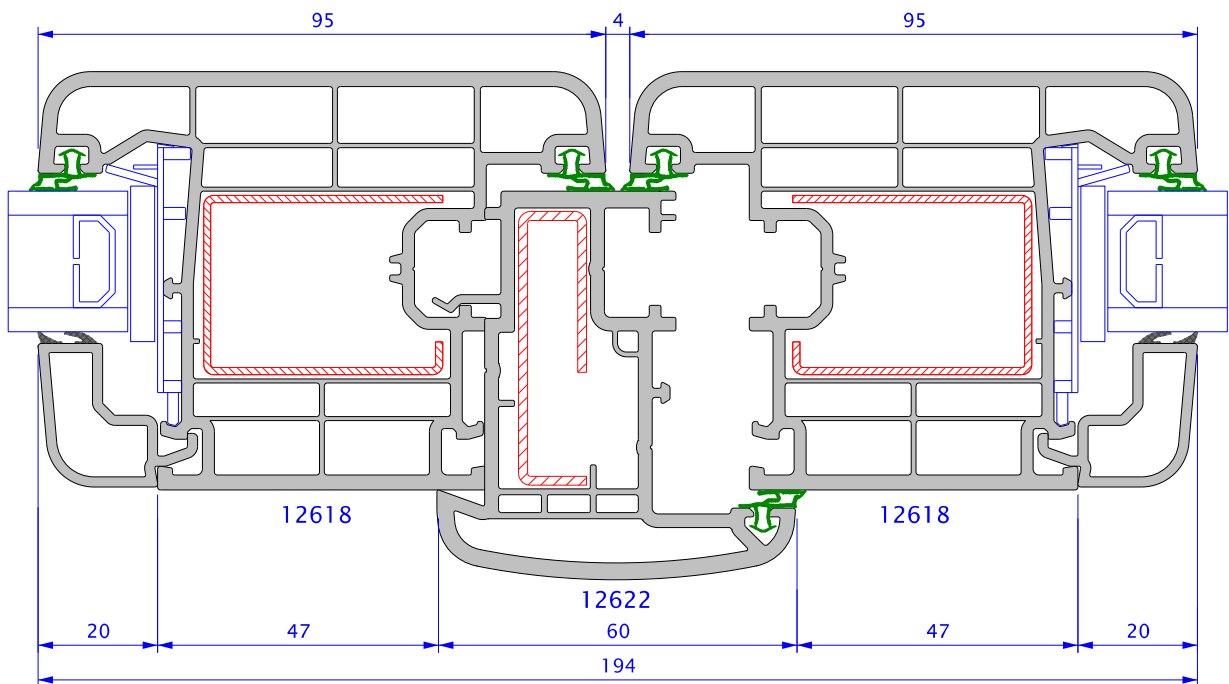
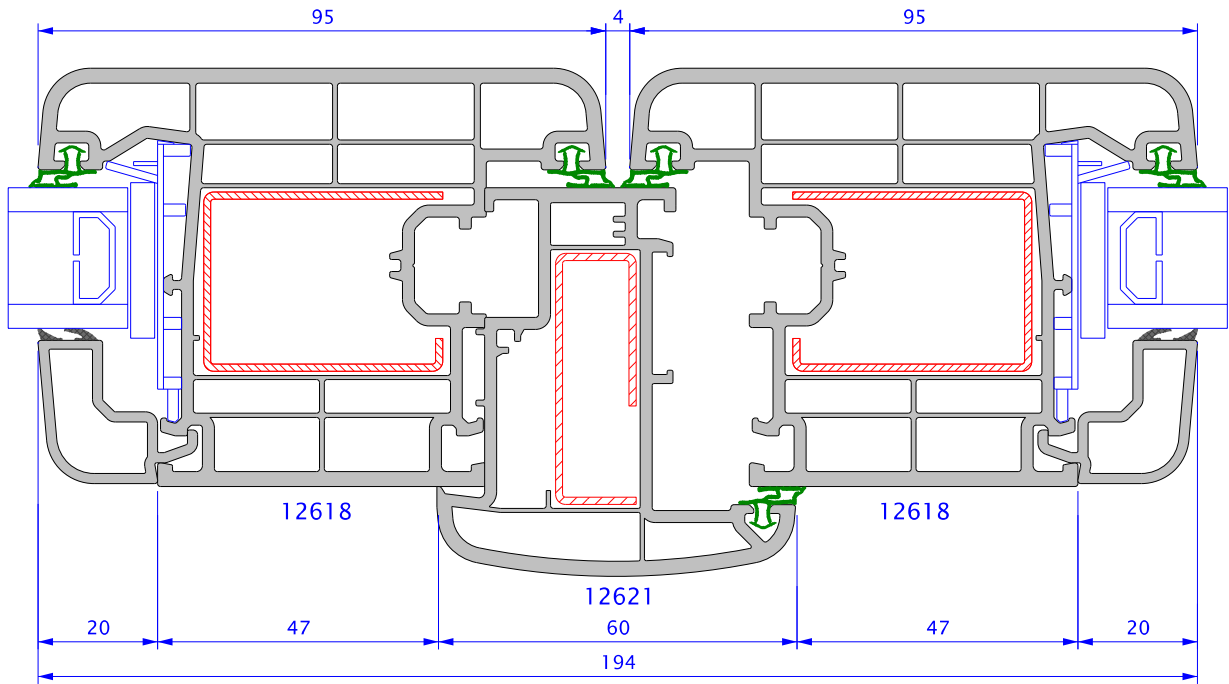
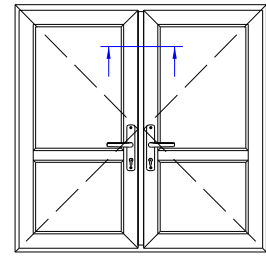


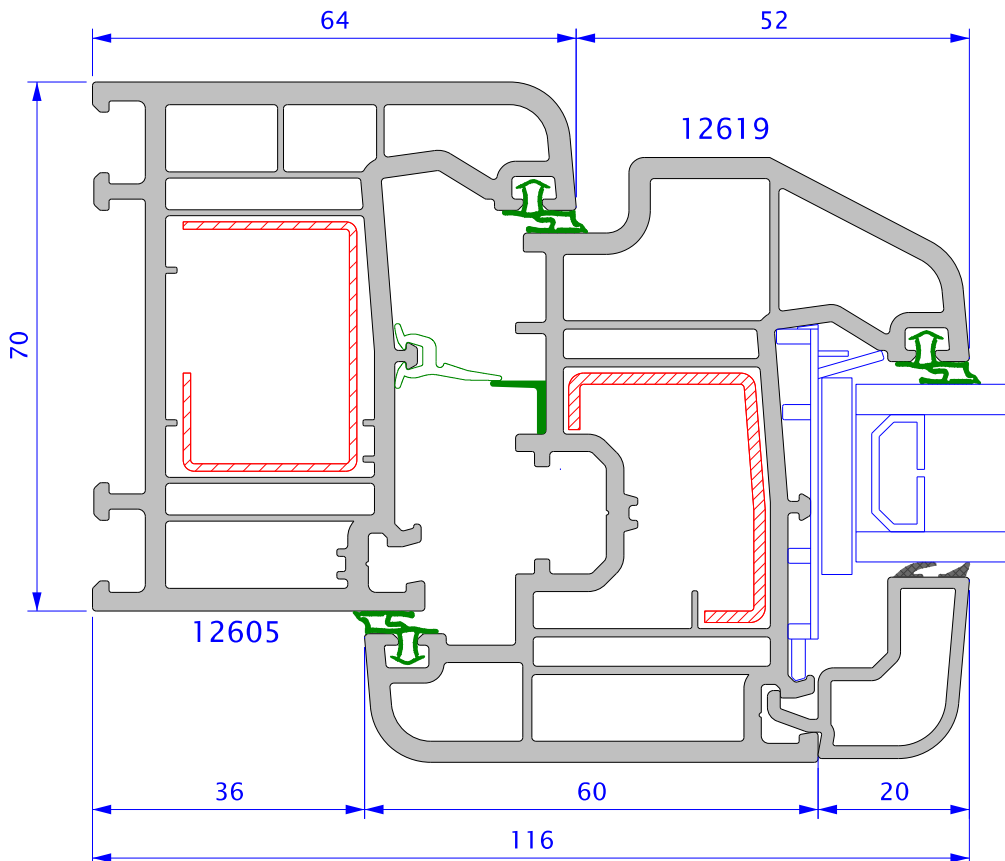
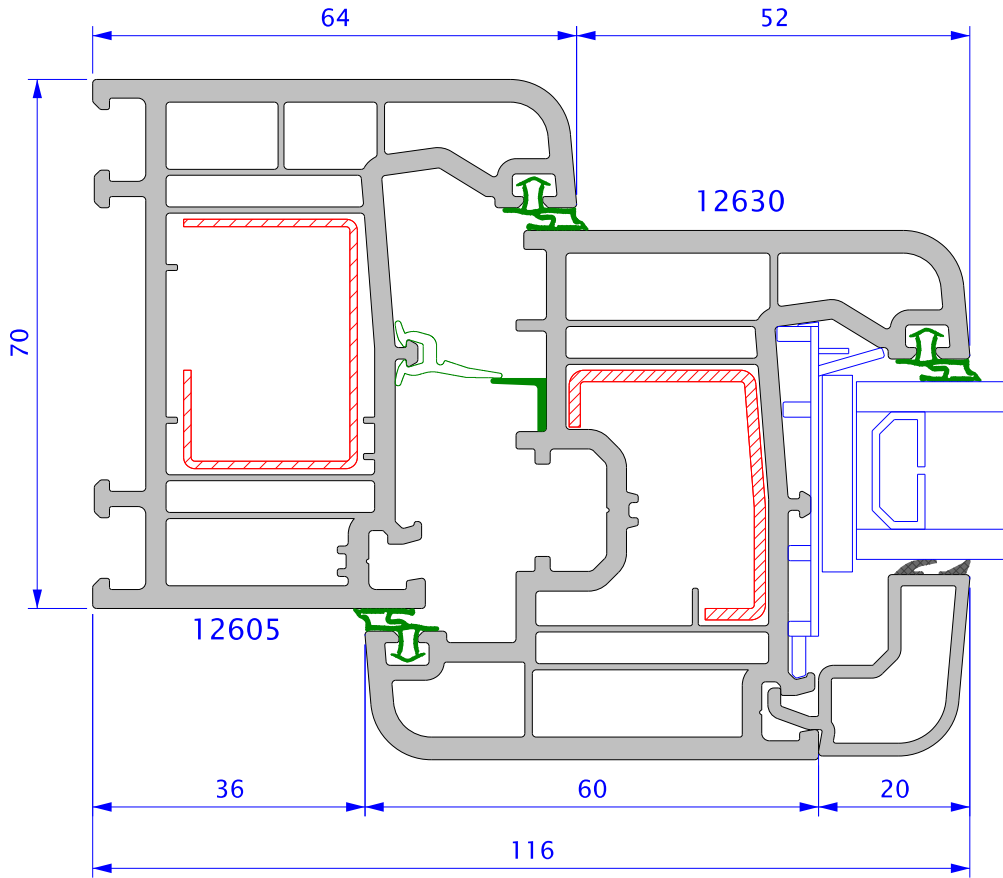
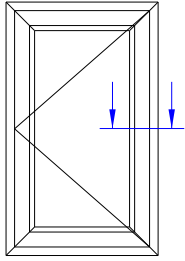


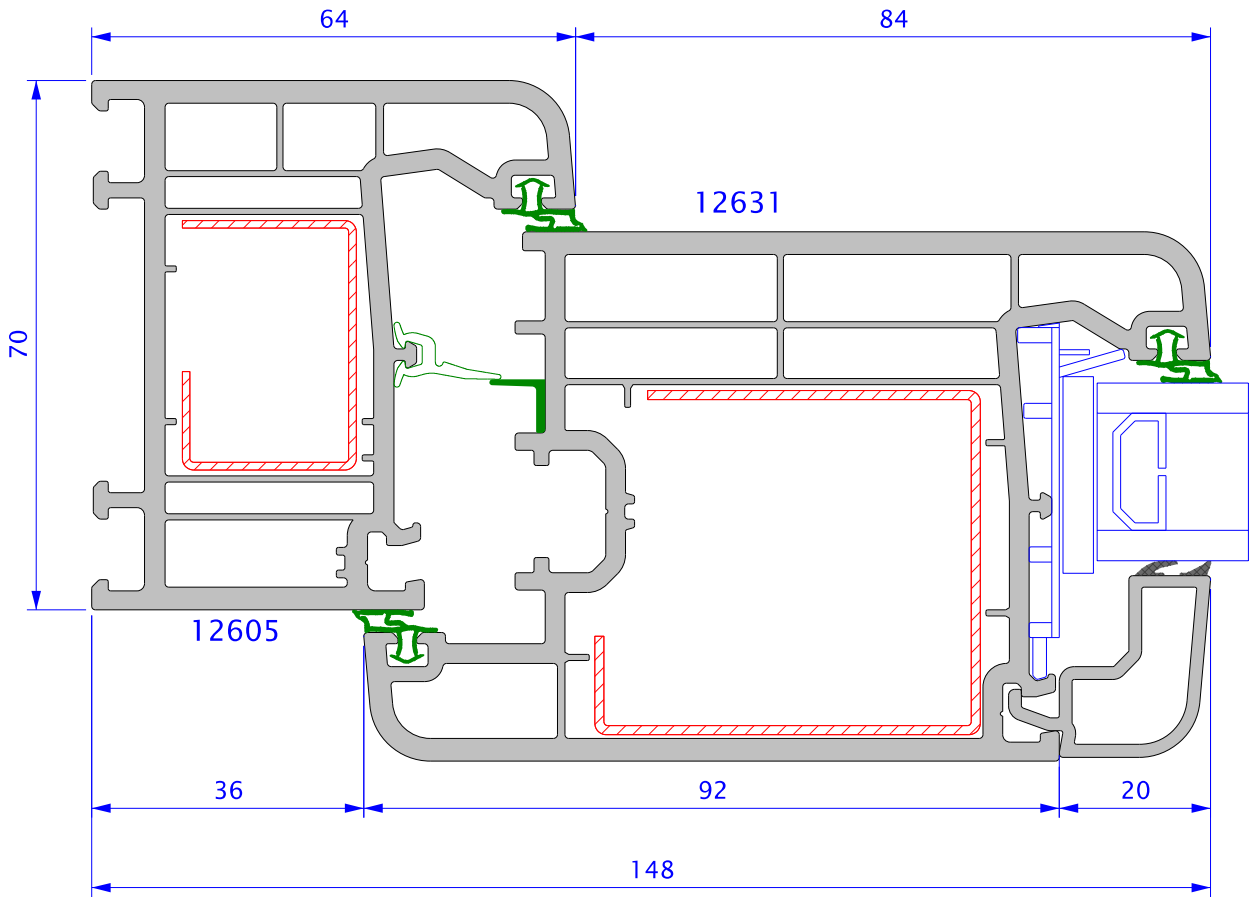
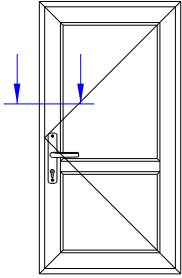


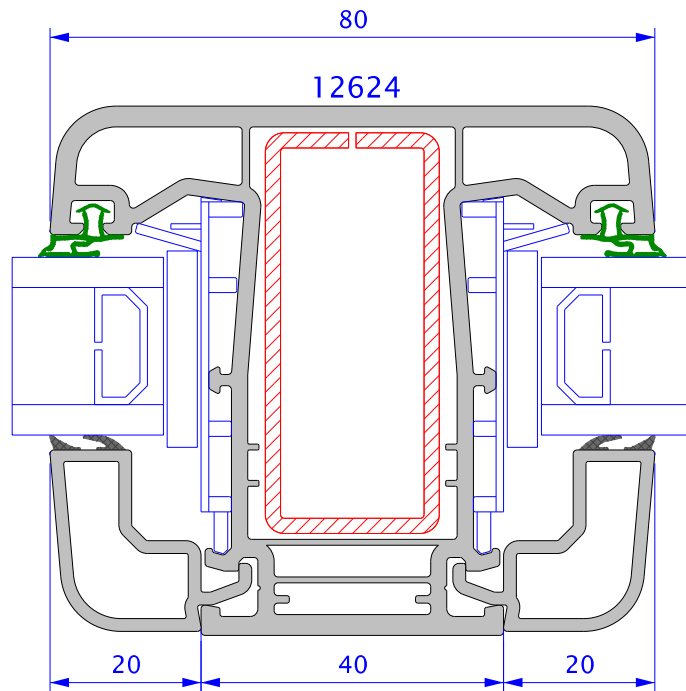
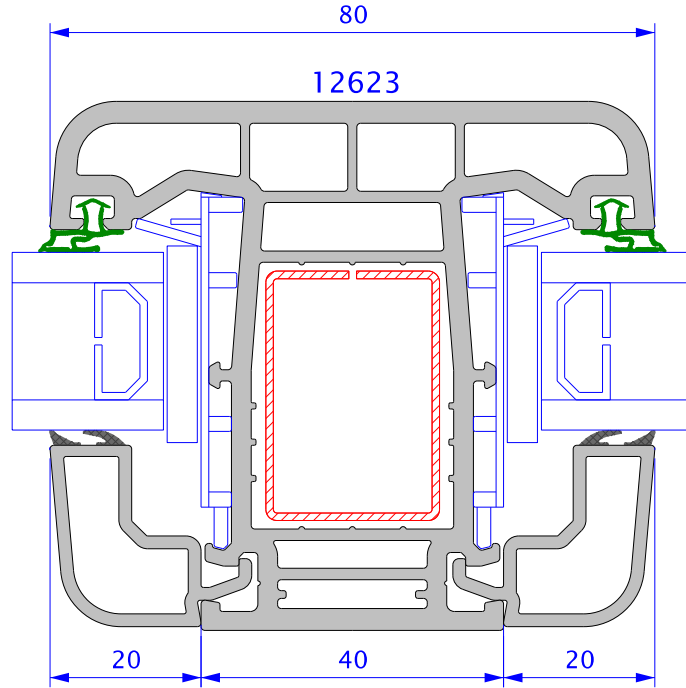
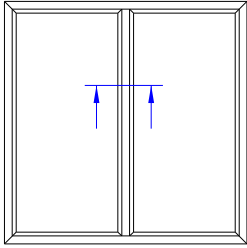


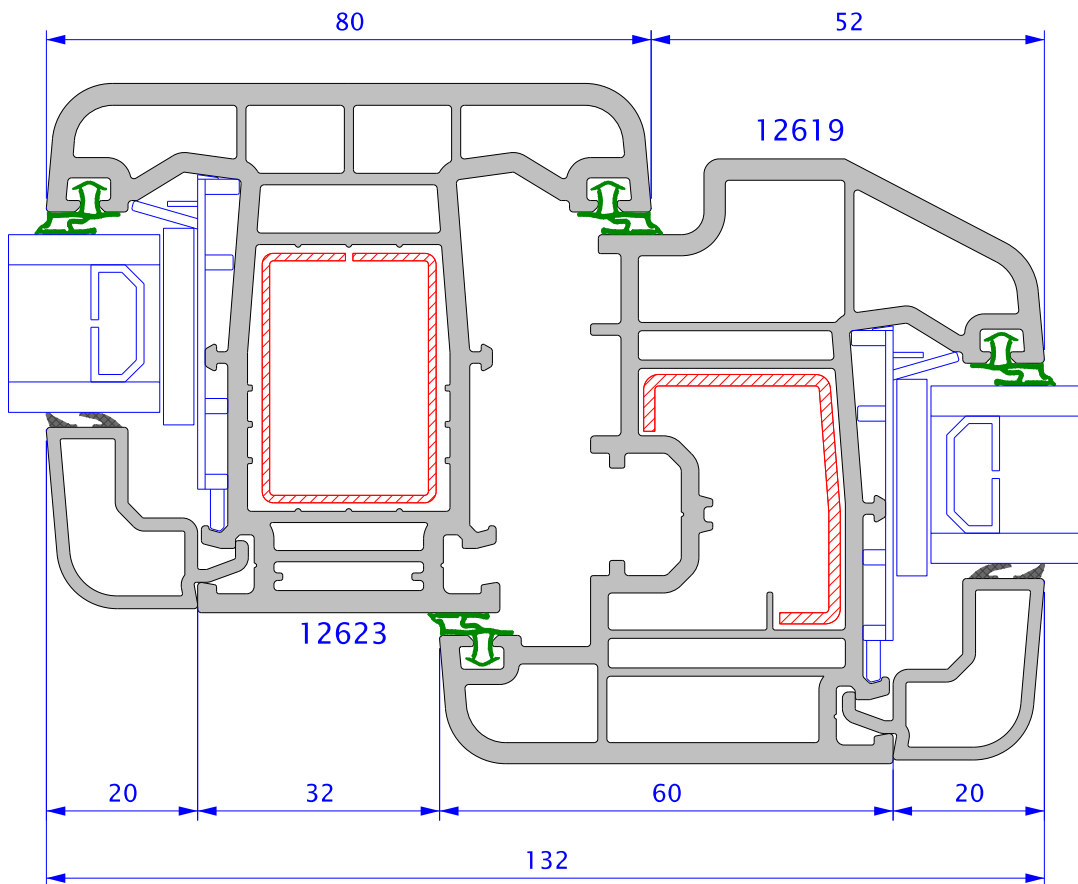
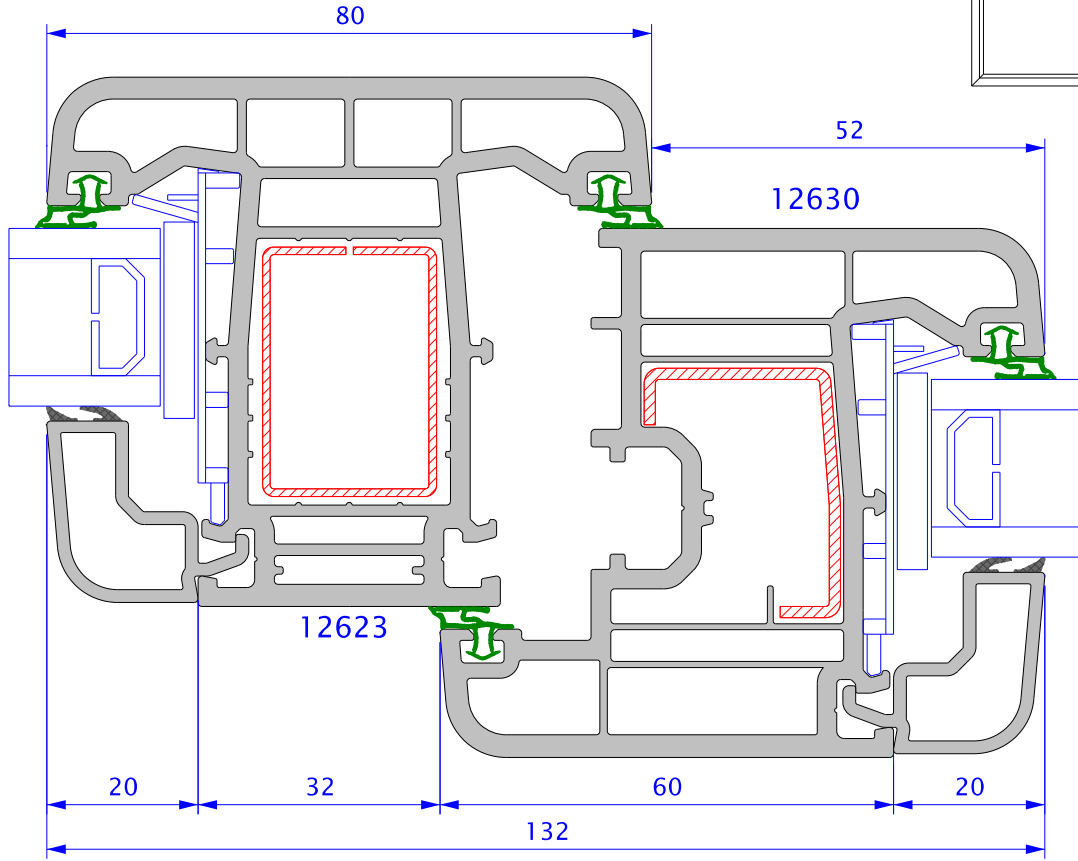
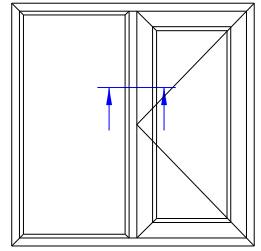


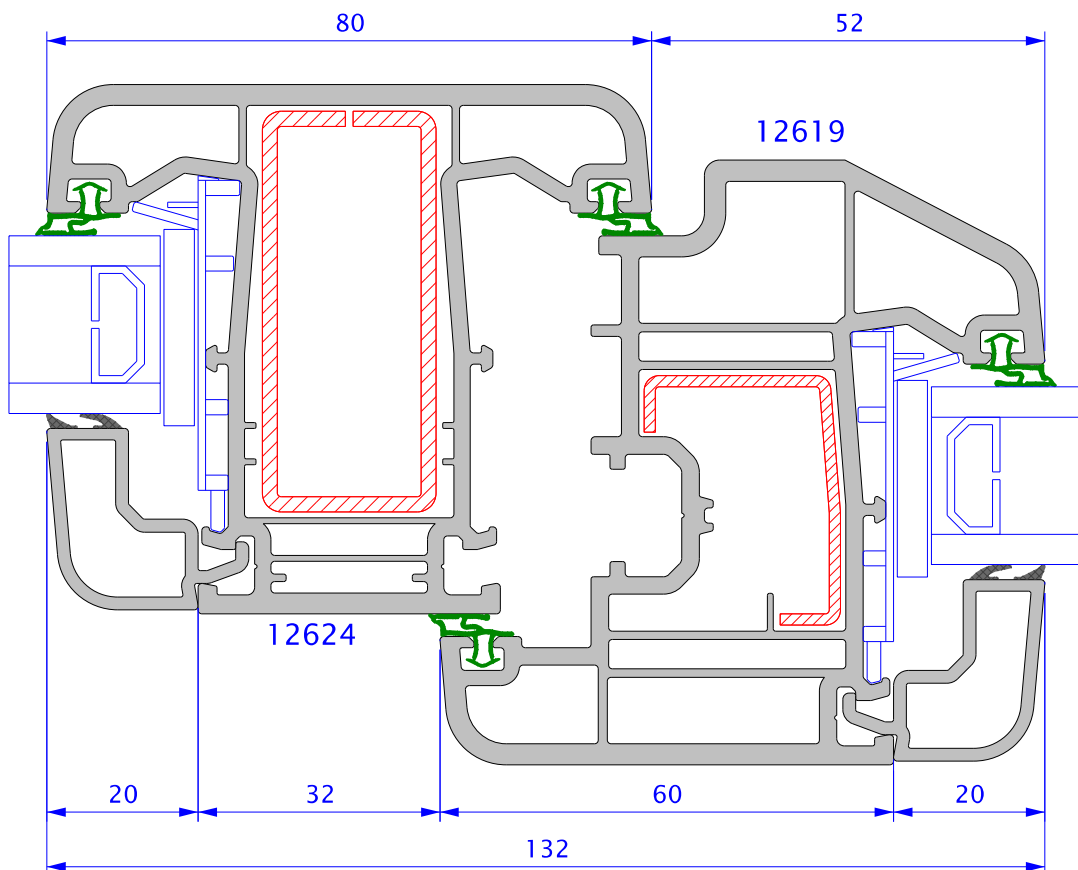
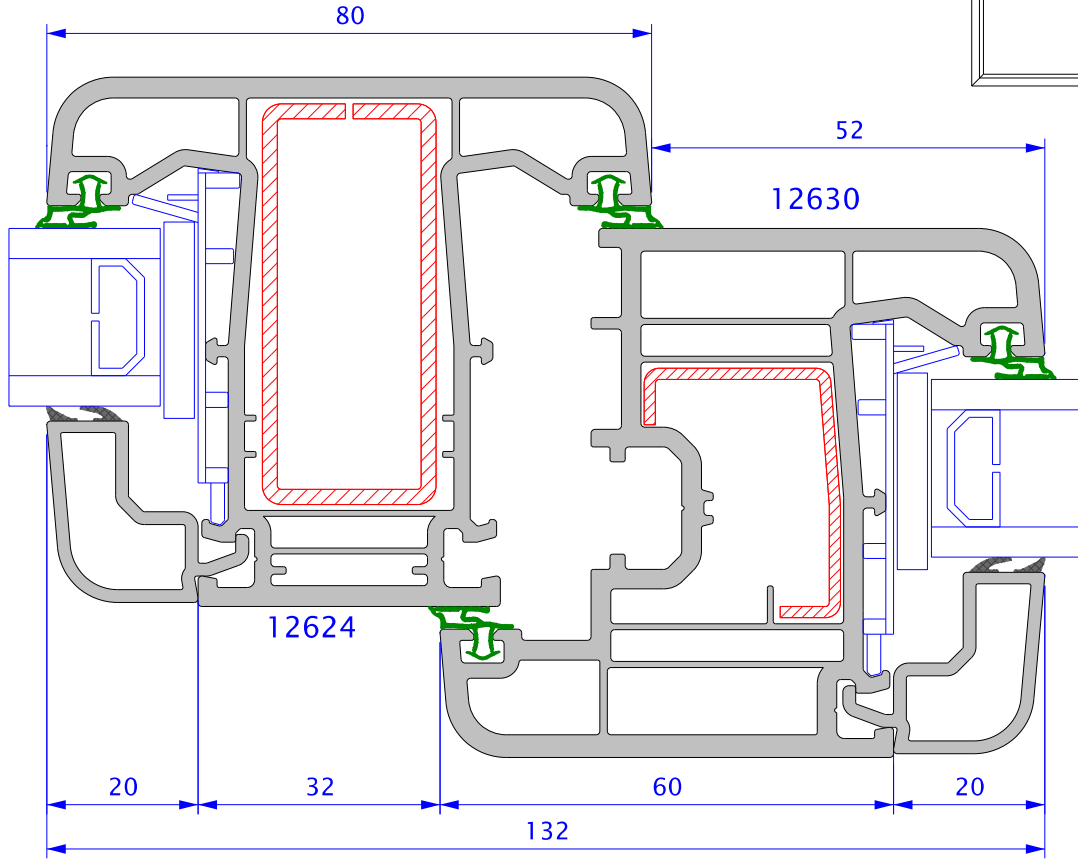
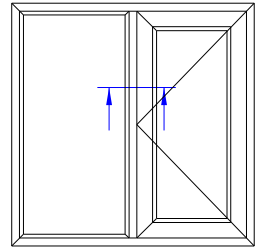


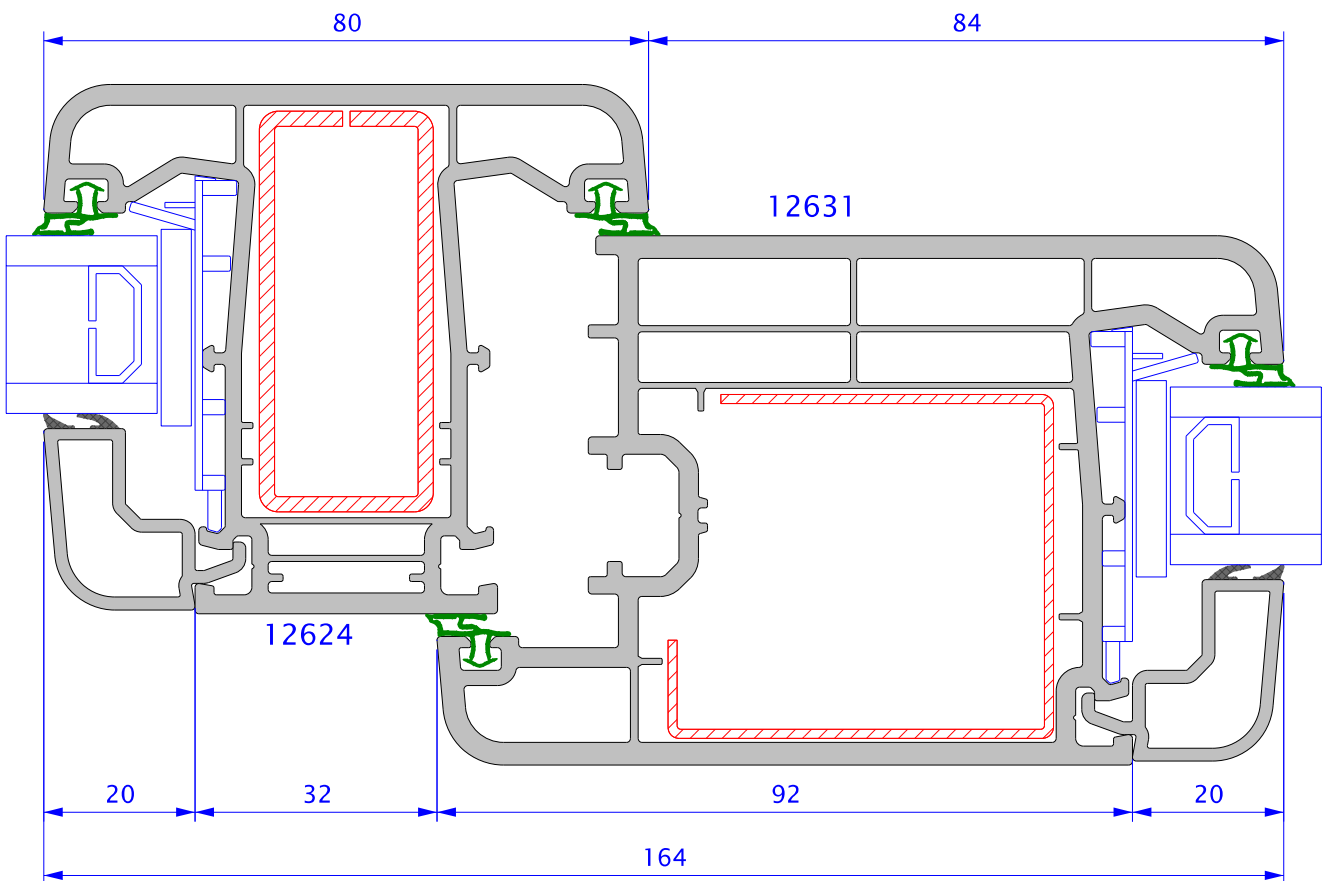
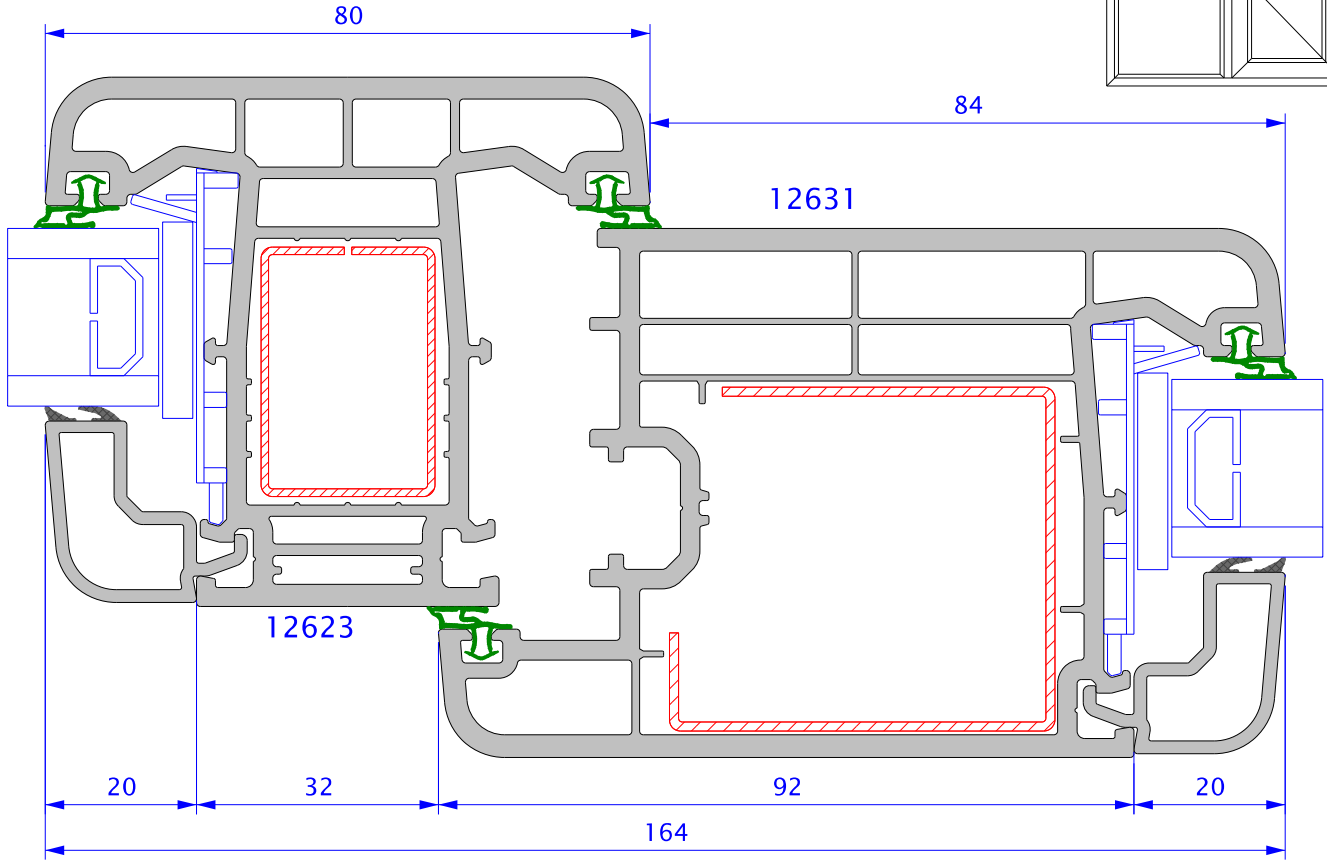
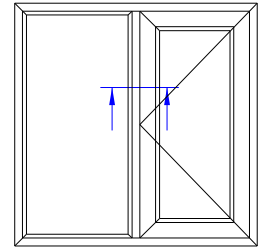


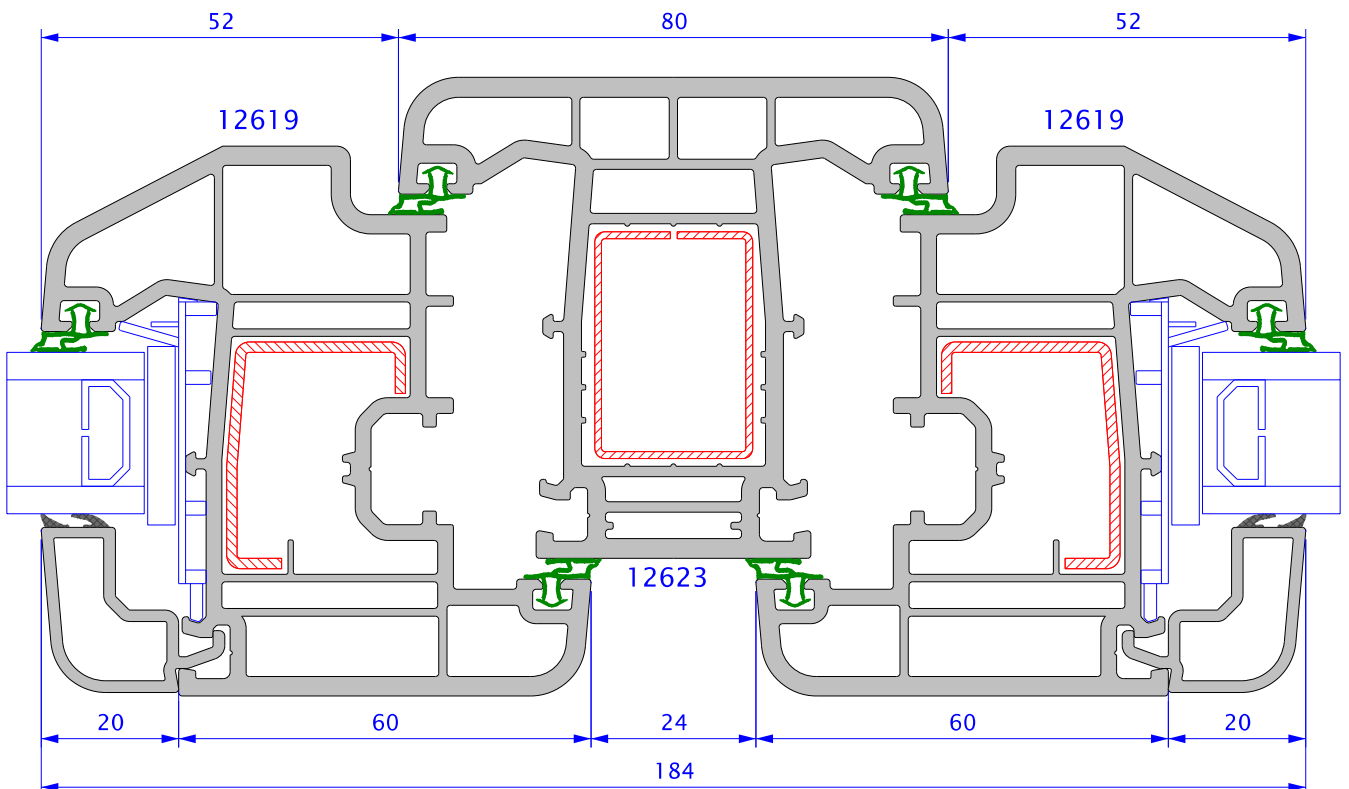
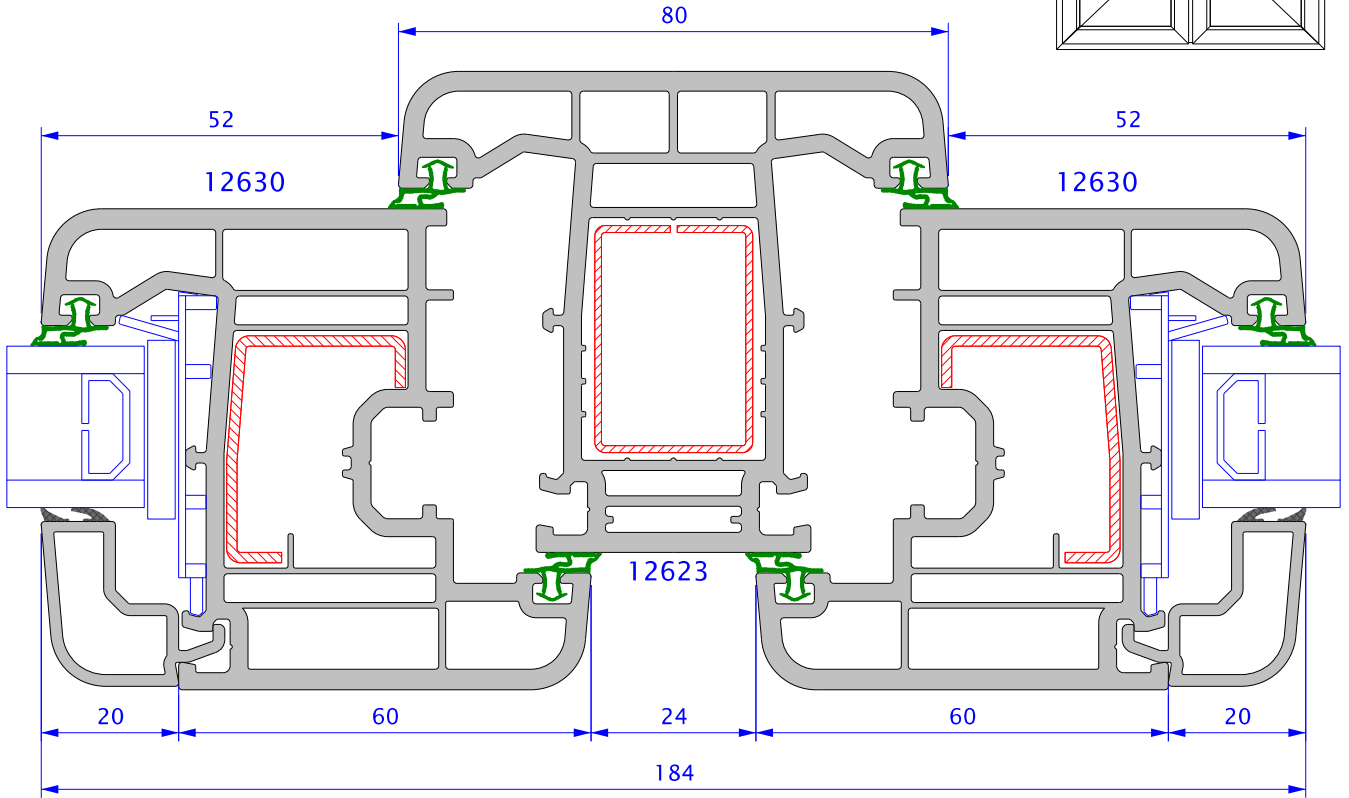
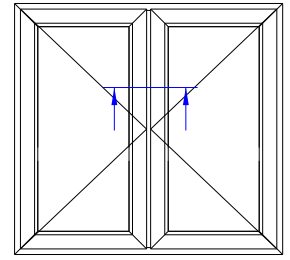


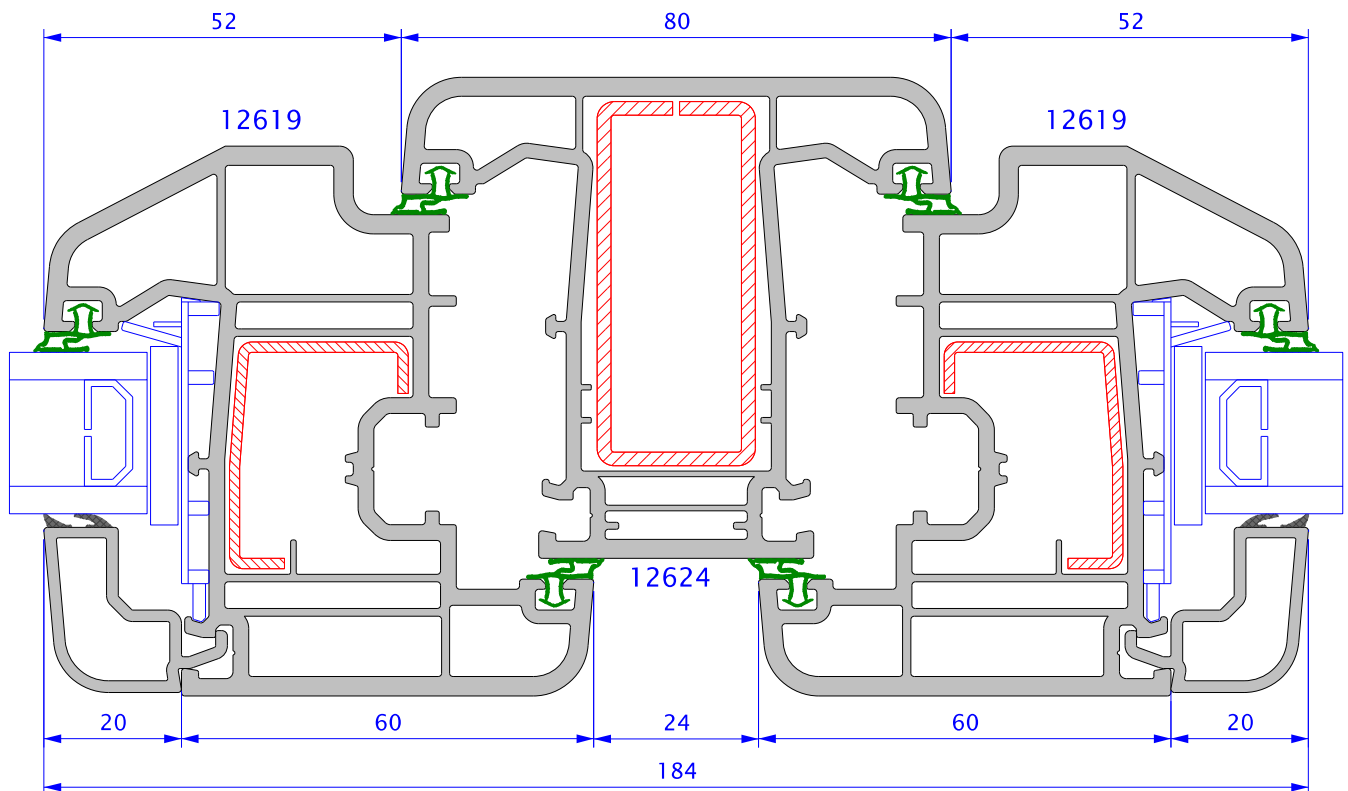
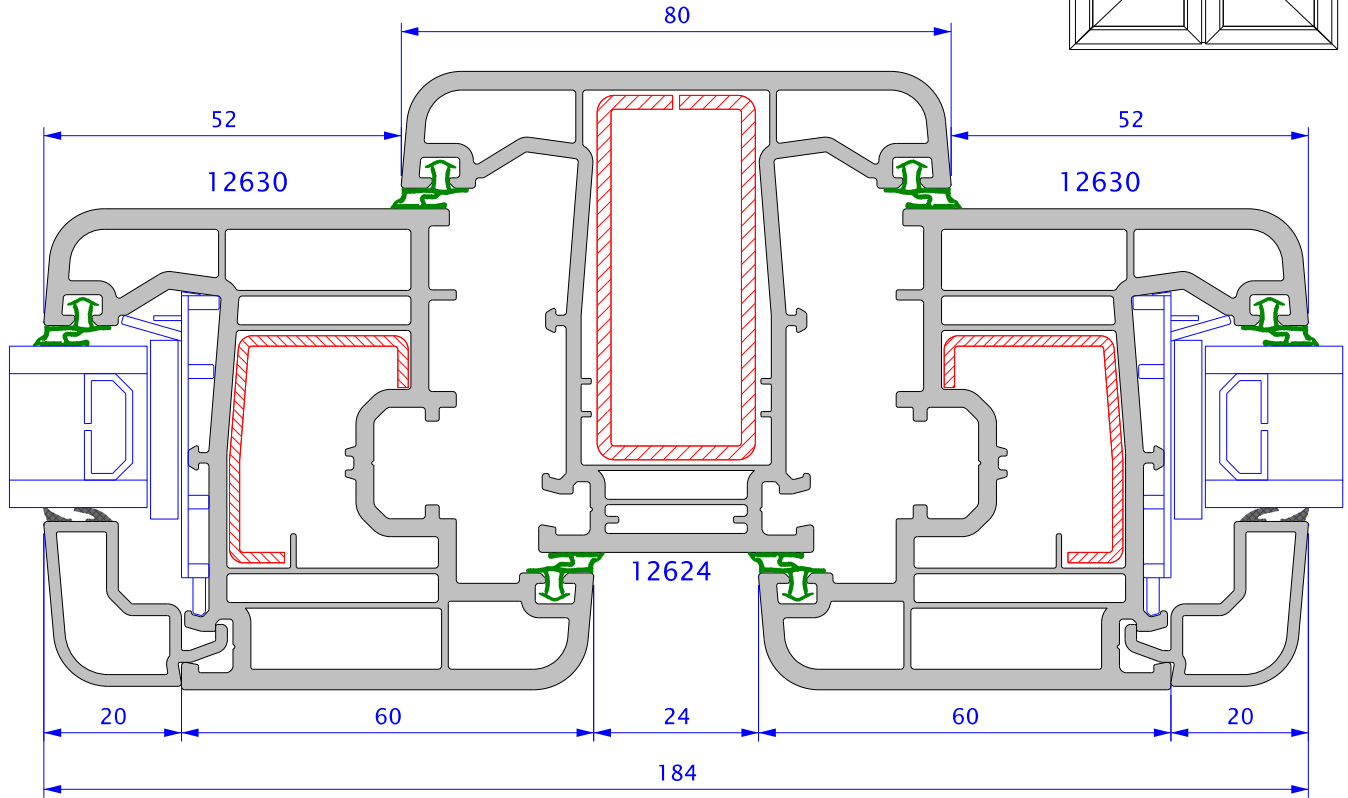
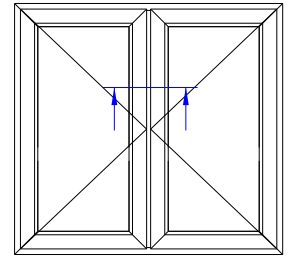


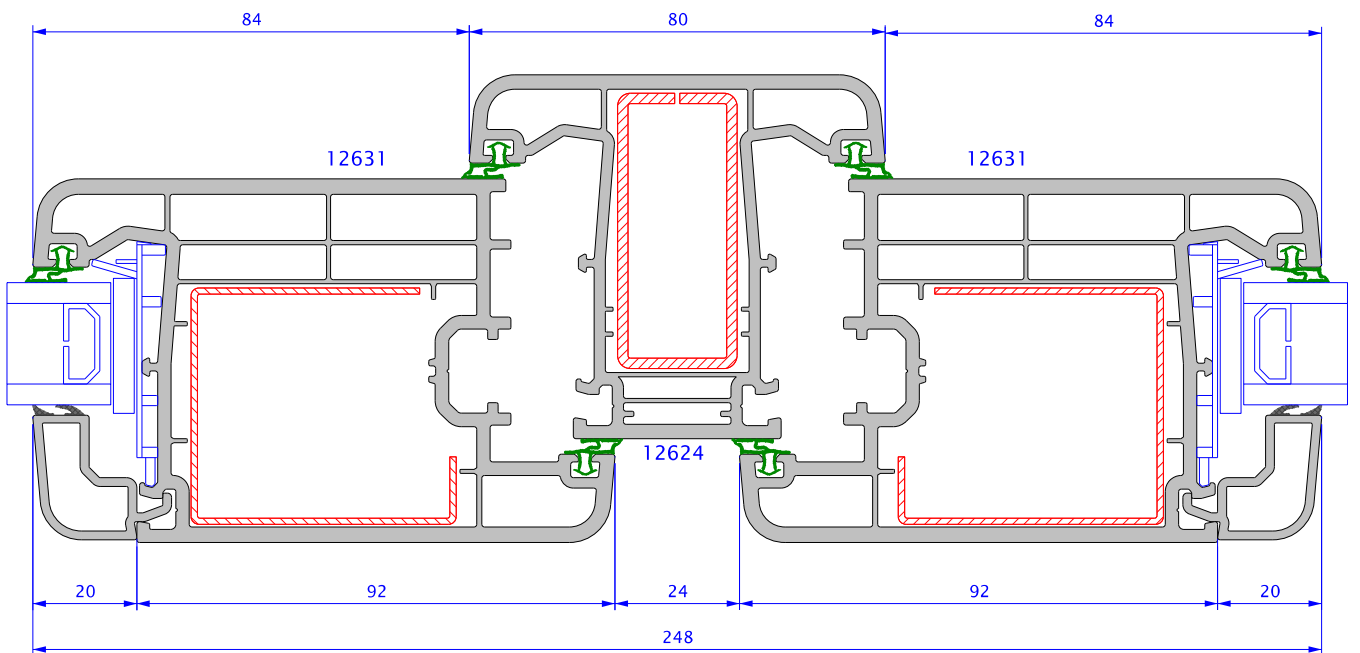
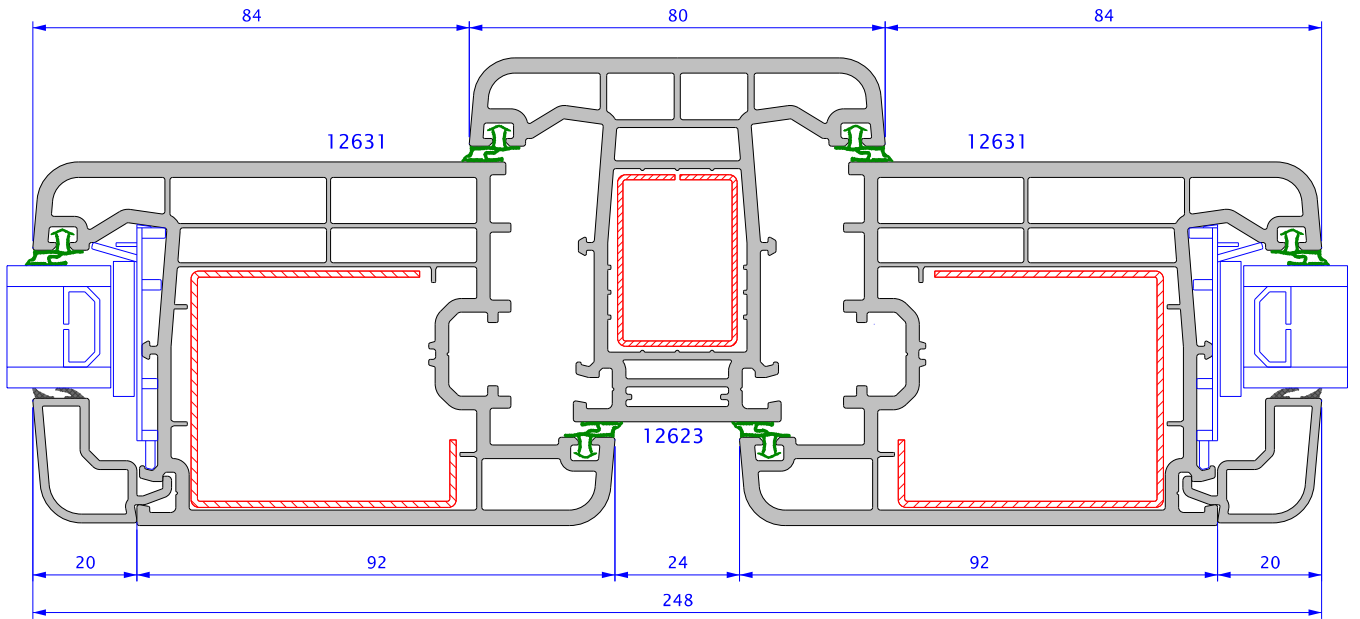
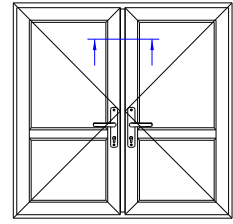


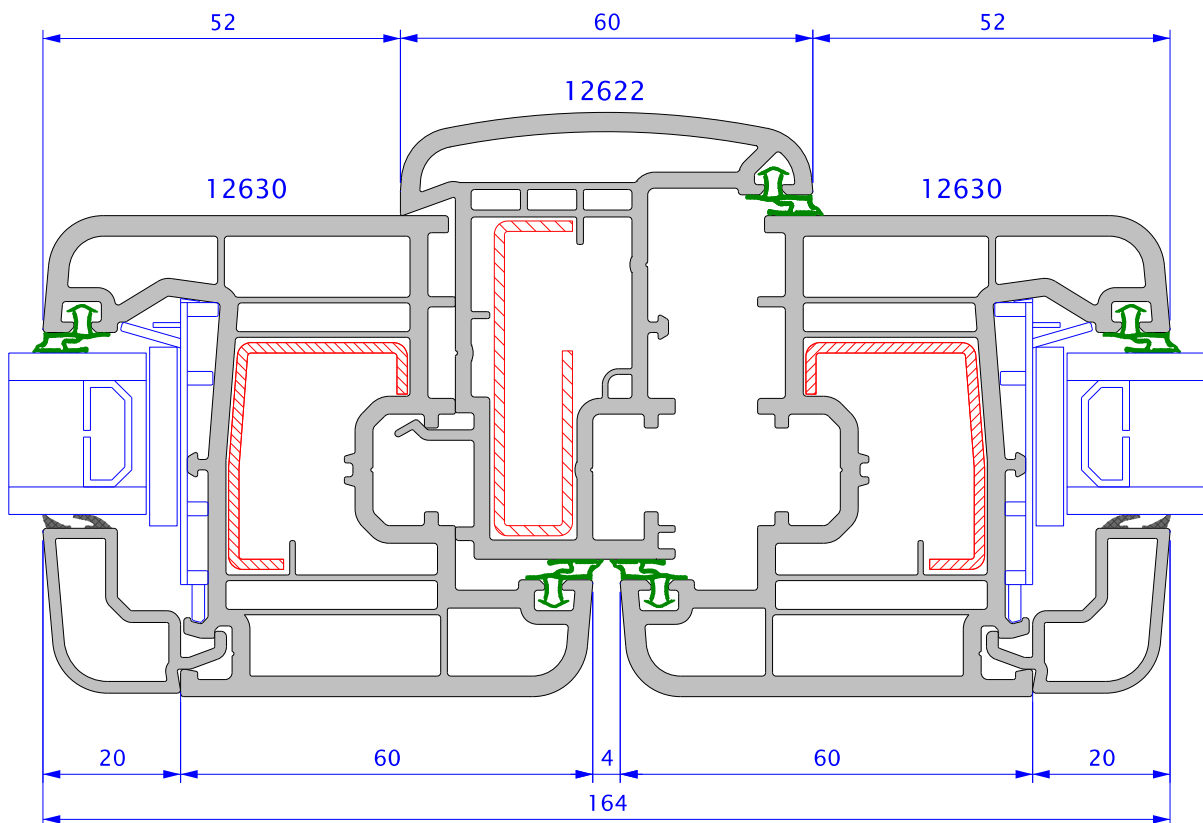
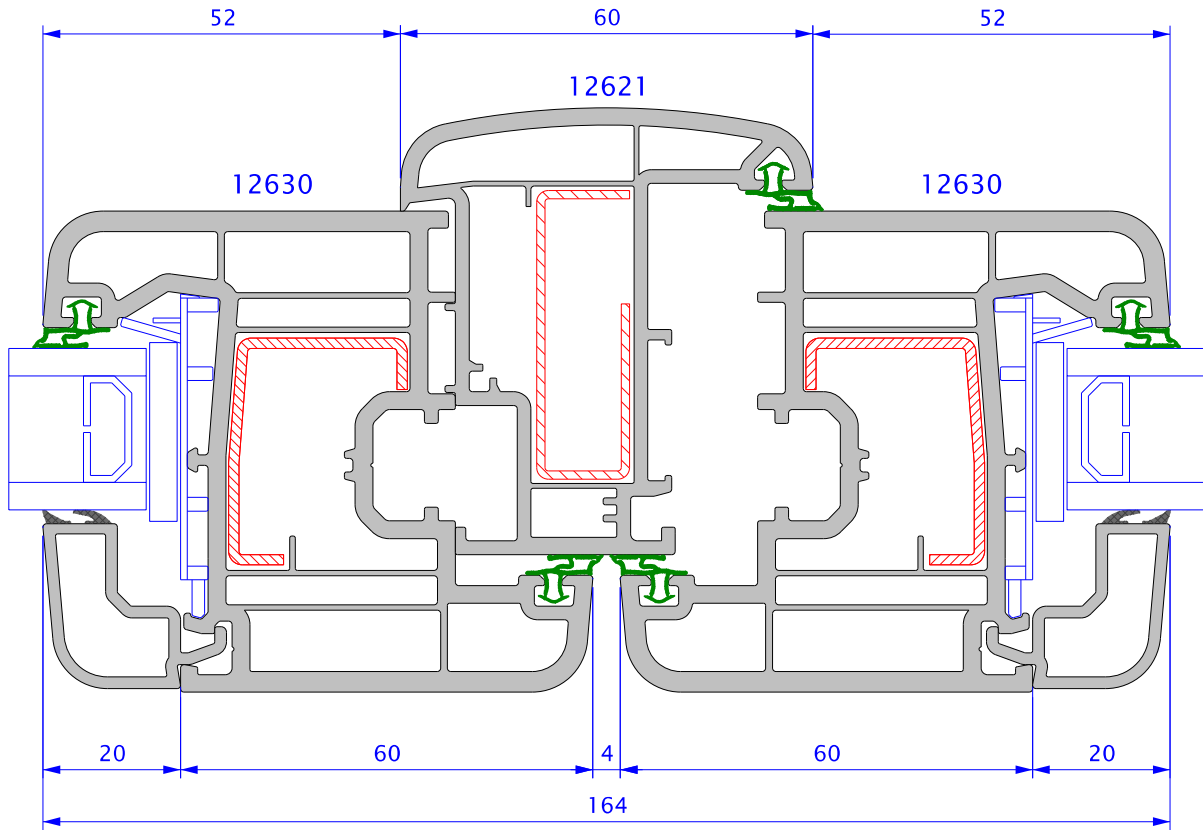
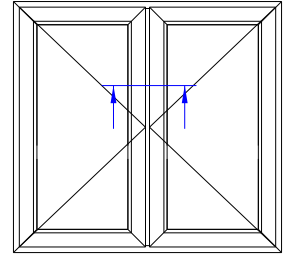


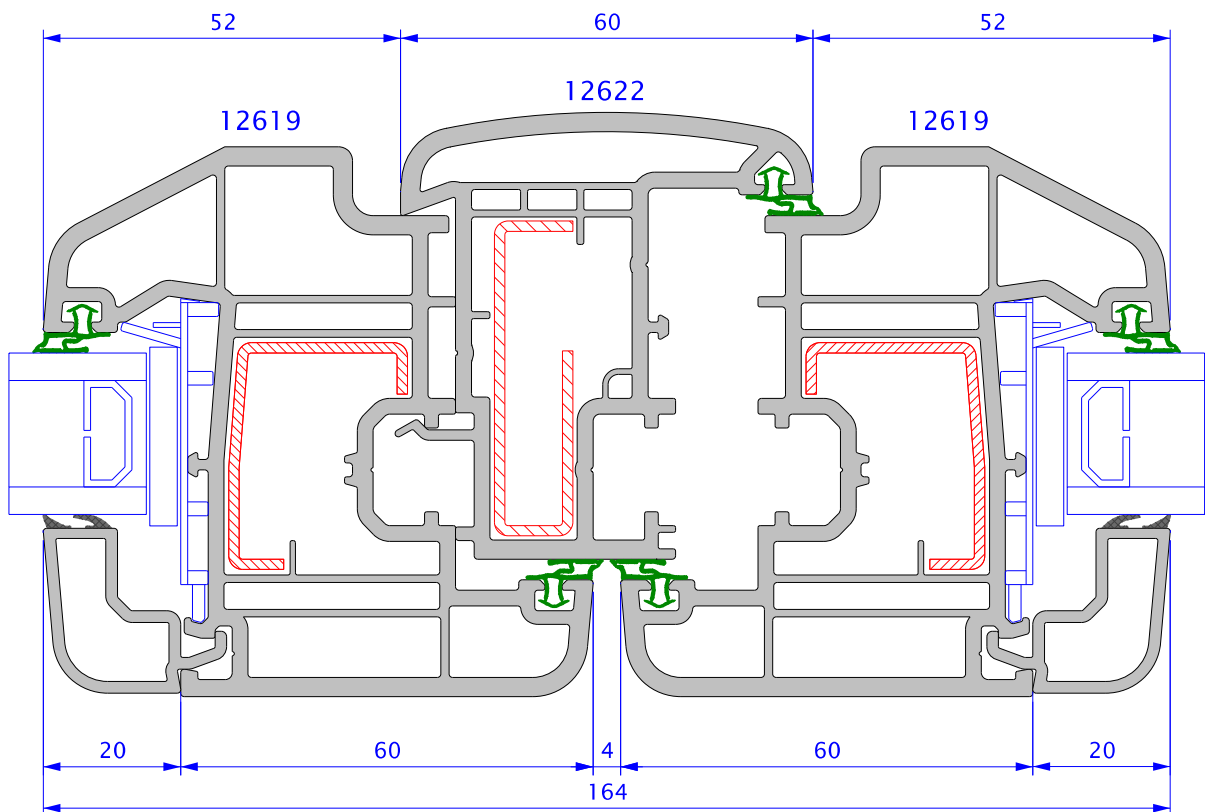
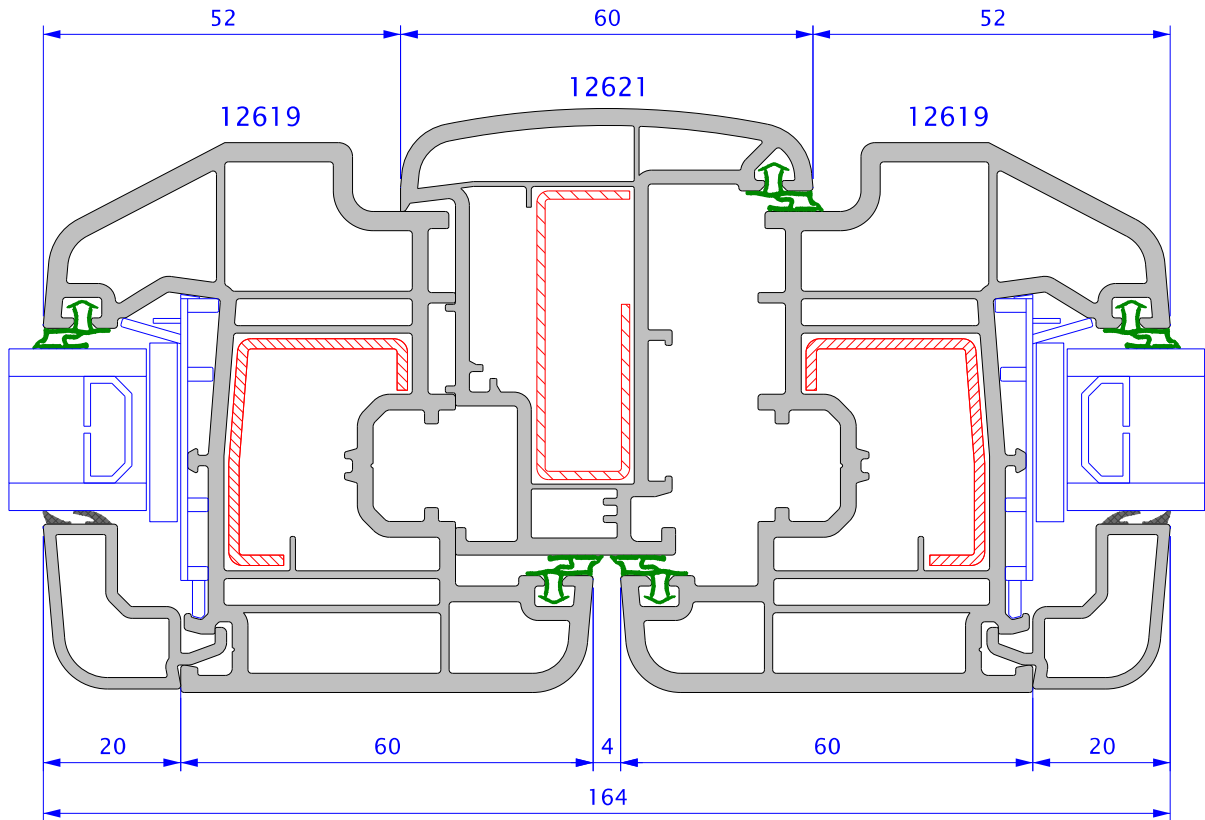
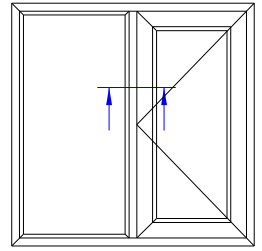


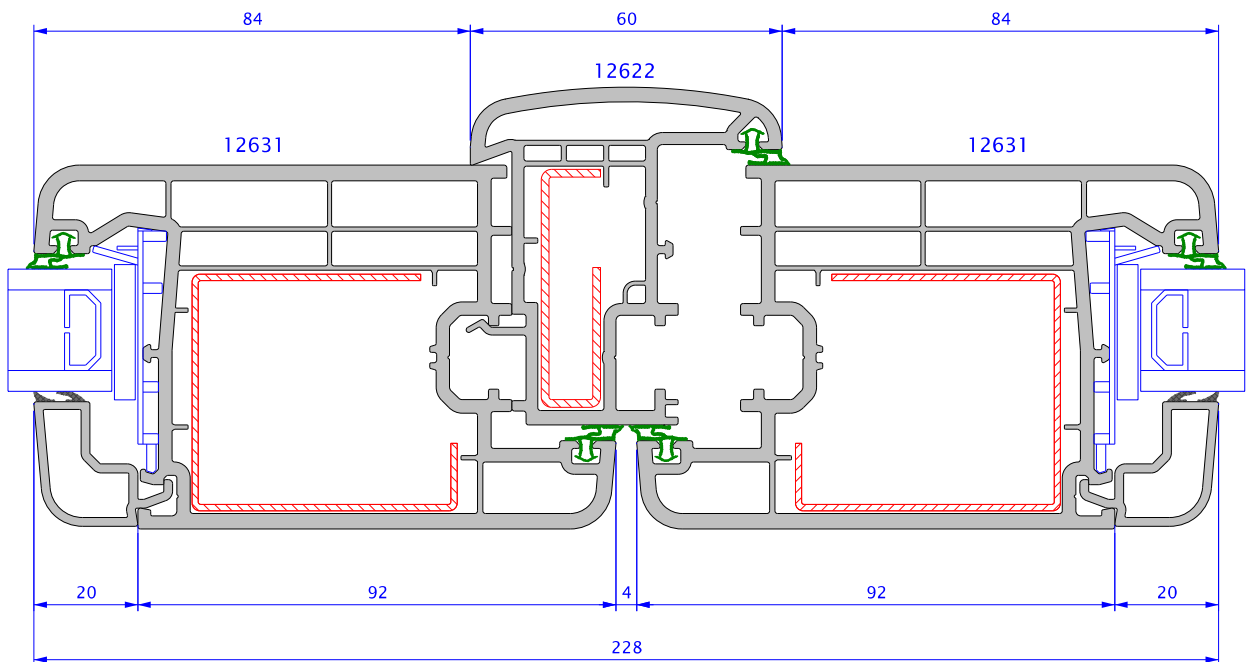
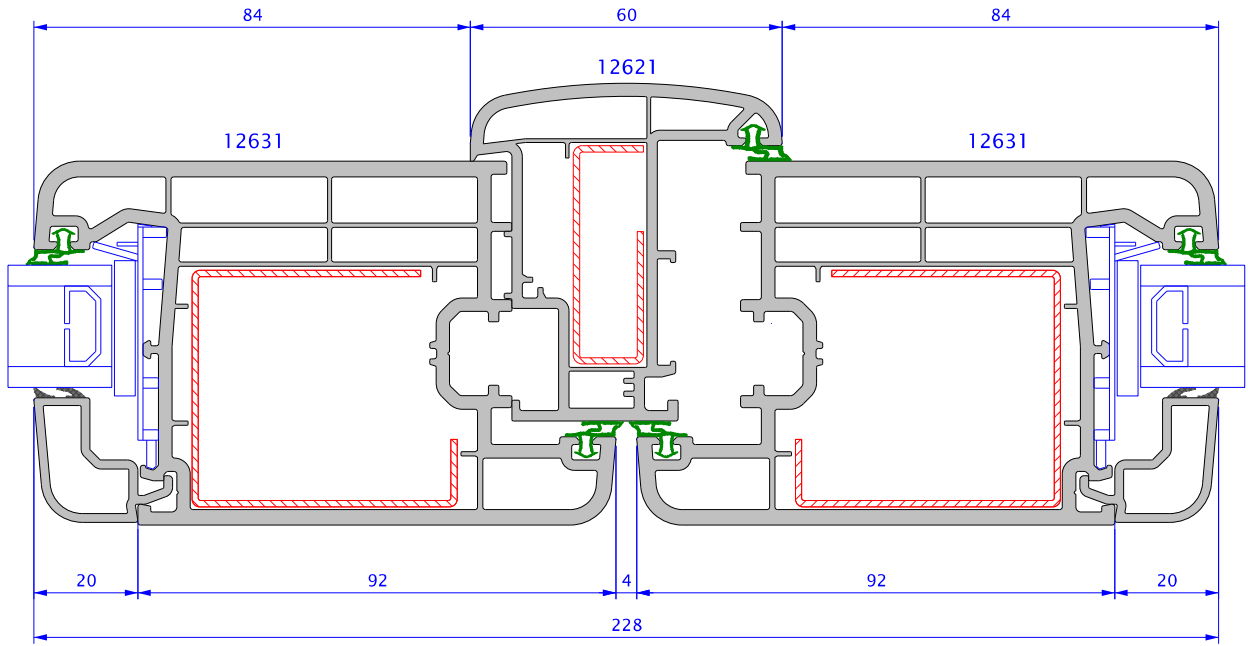
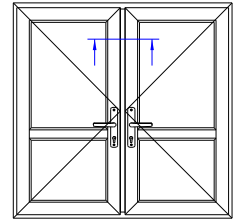


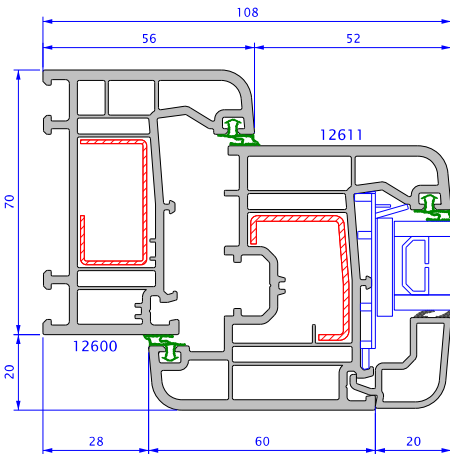
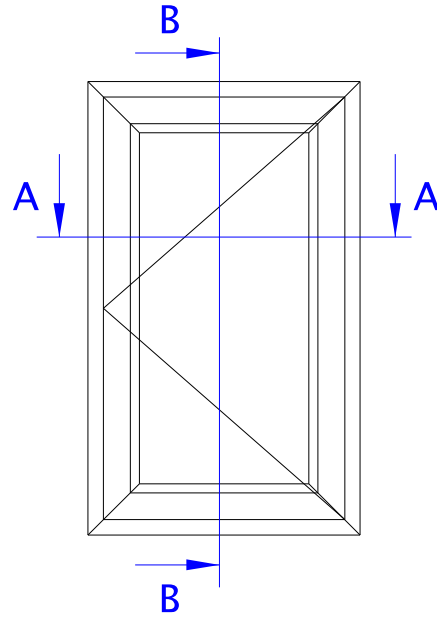




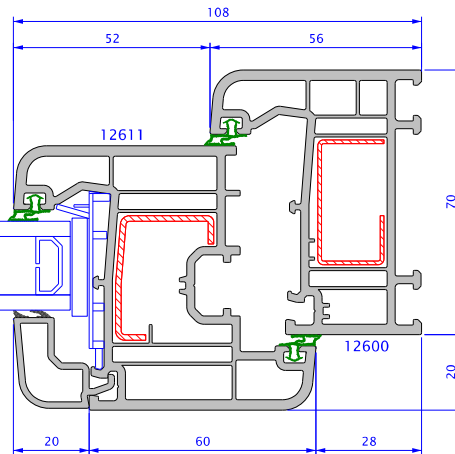




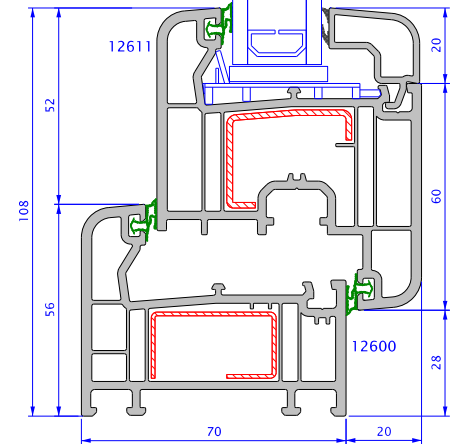
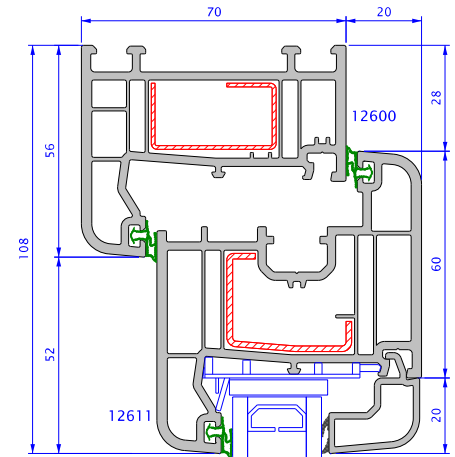


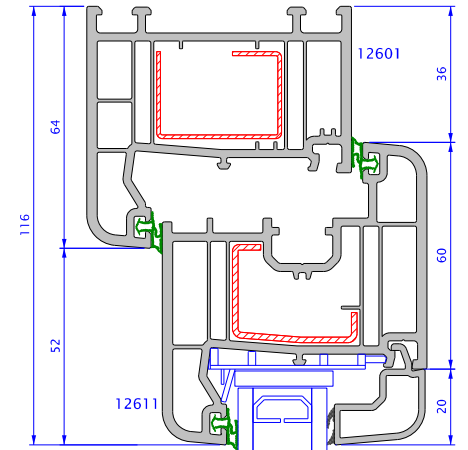
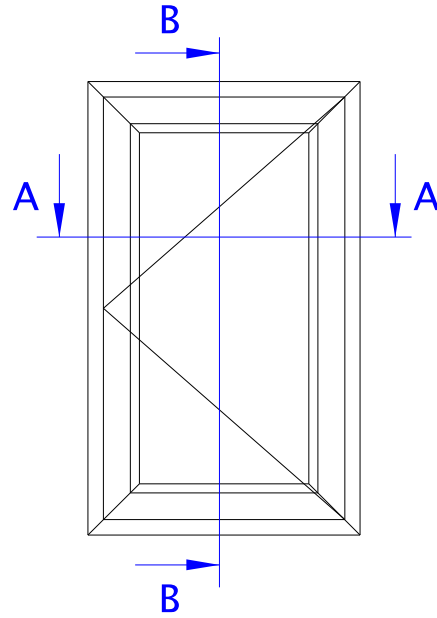


A - A

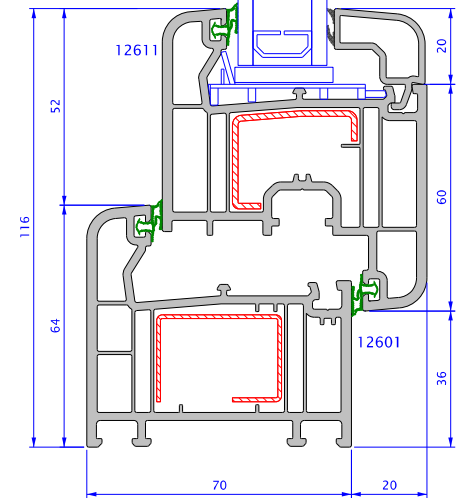


B - B

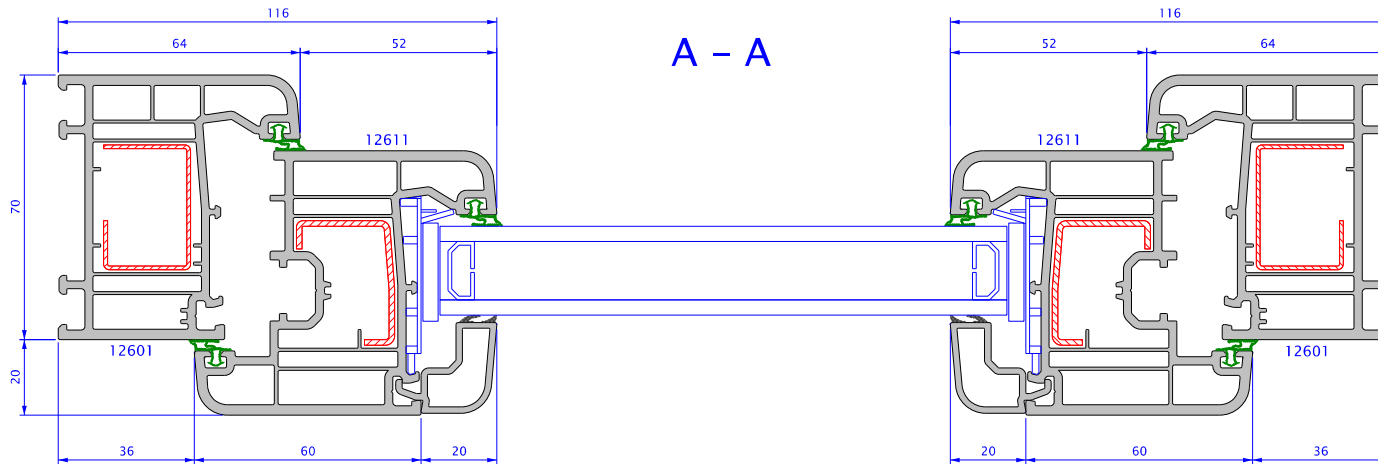


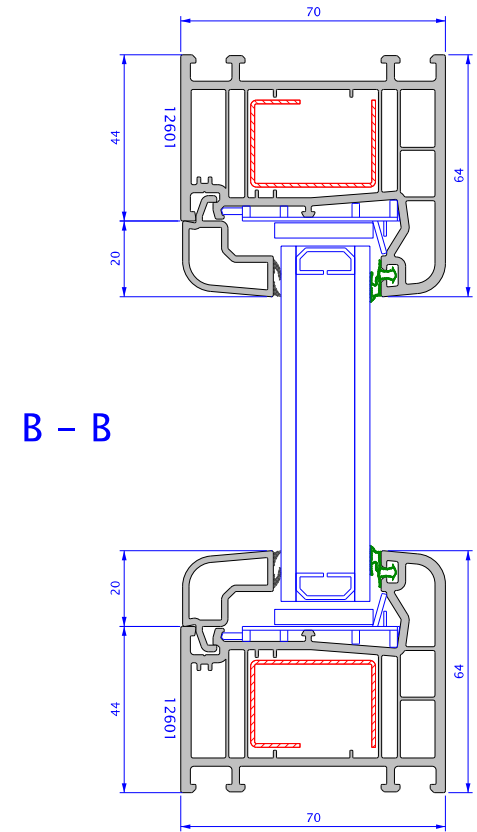
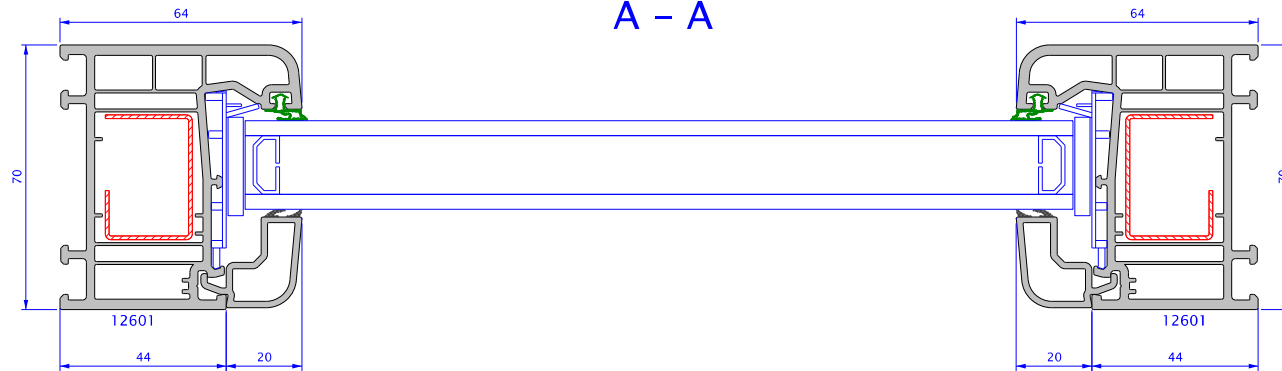
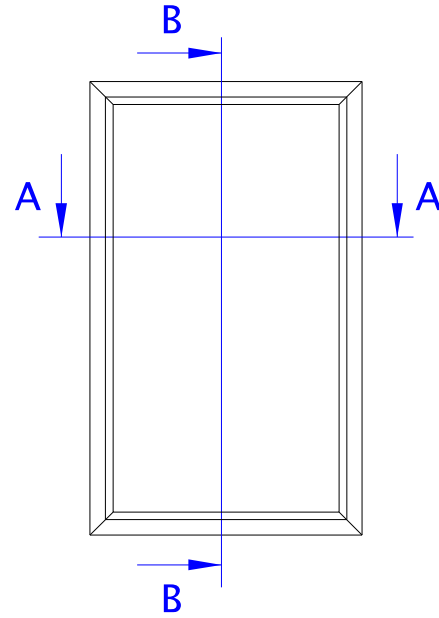


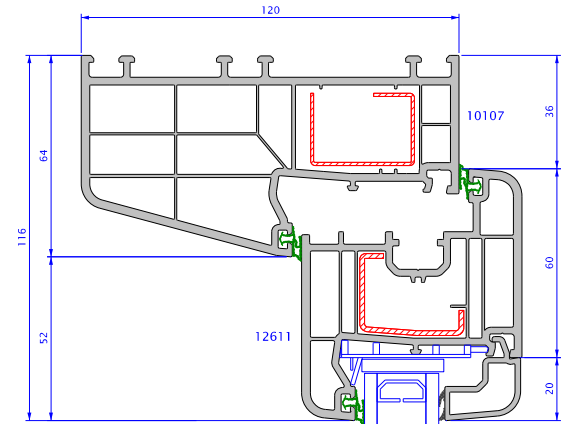
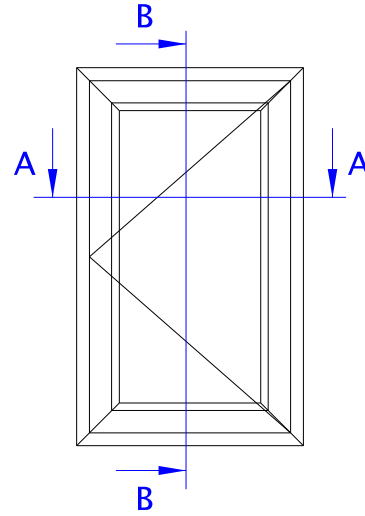
B - B



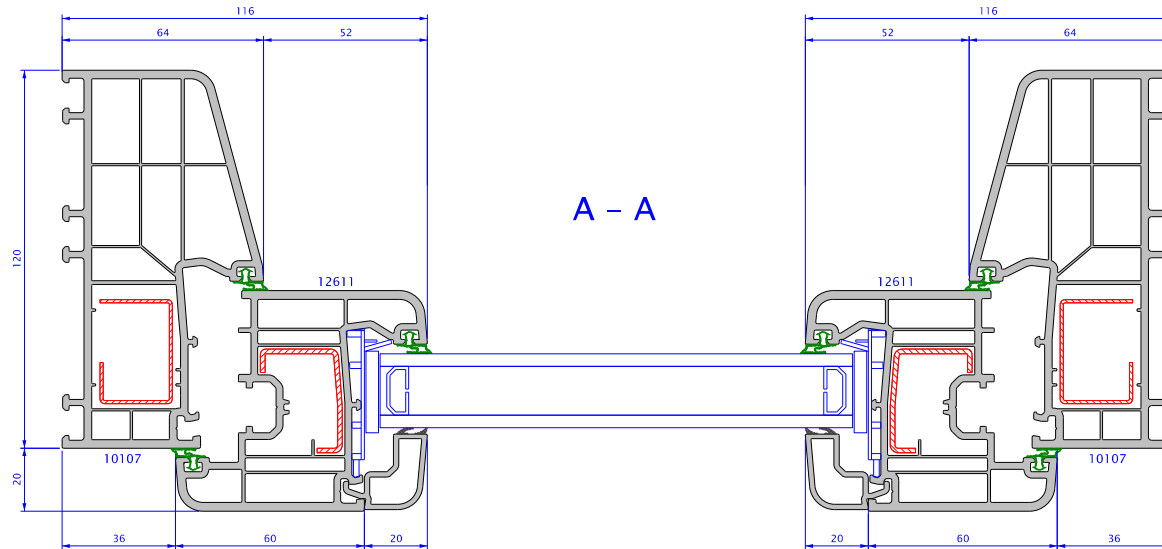
A - A



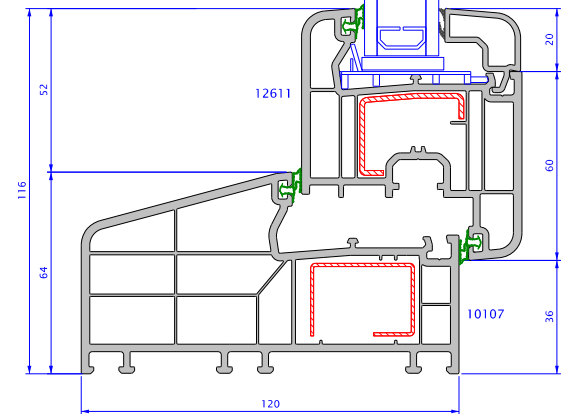


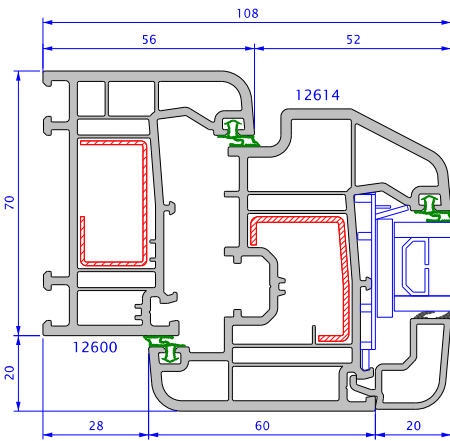
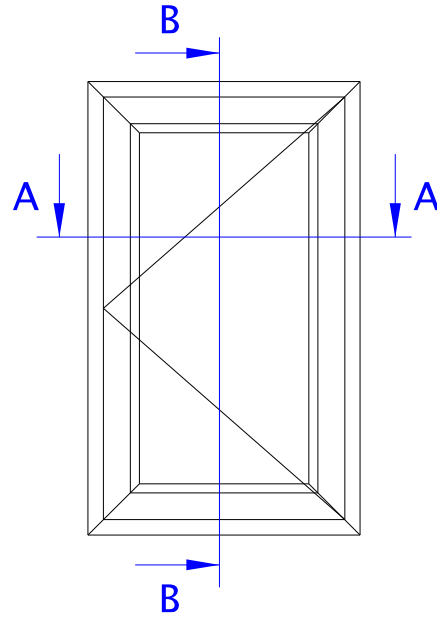


B - B

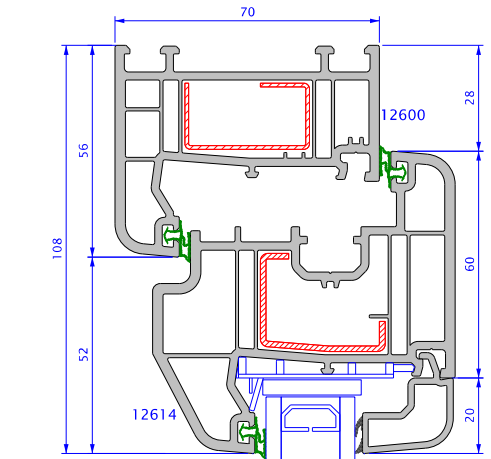
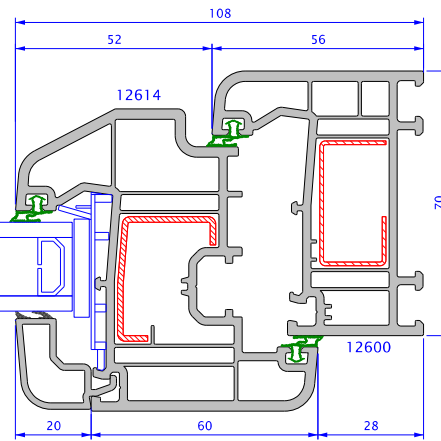


A - A

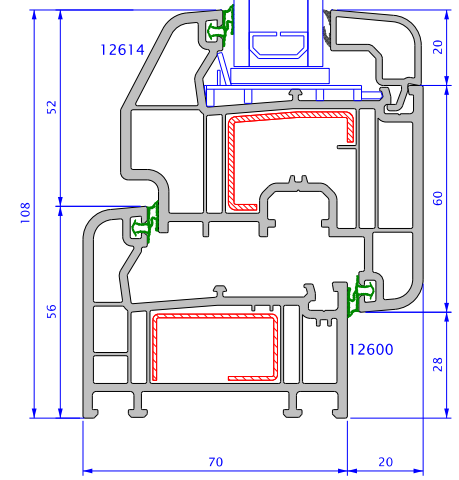


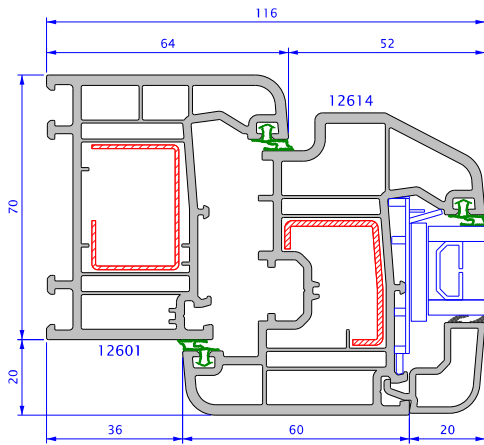
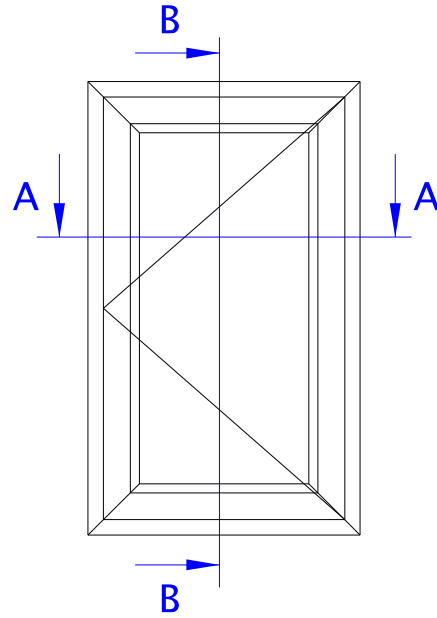


A - A

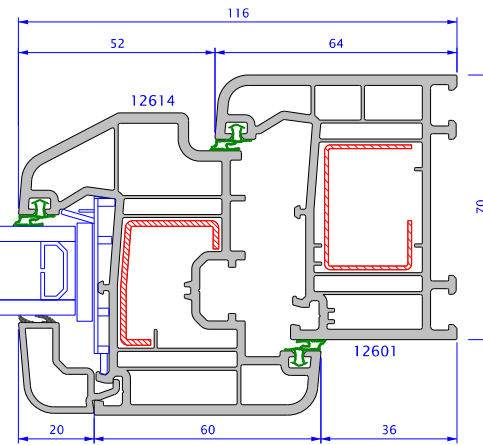


B - B

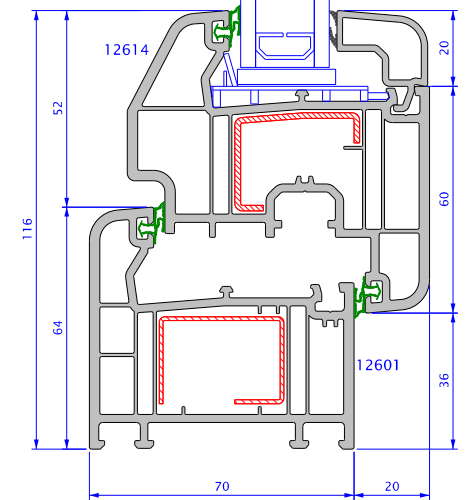
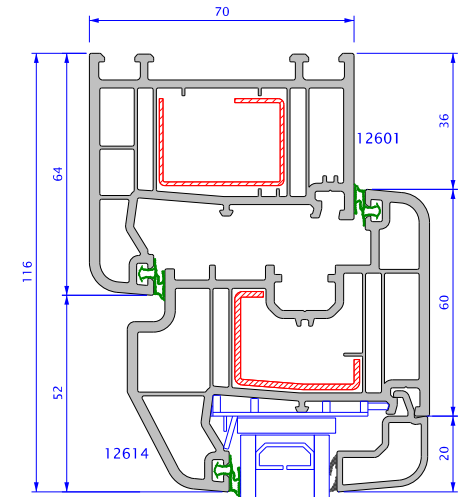


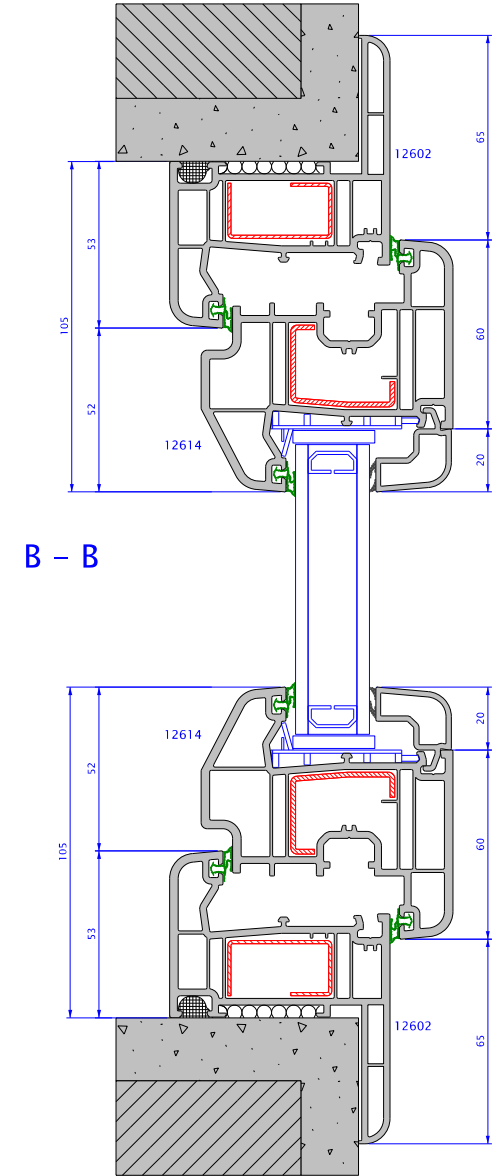
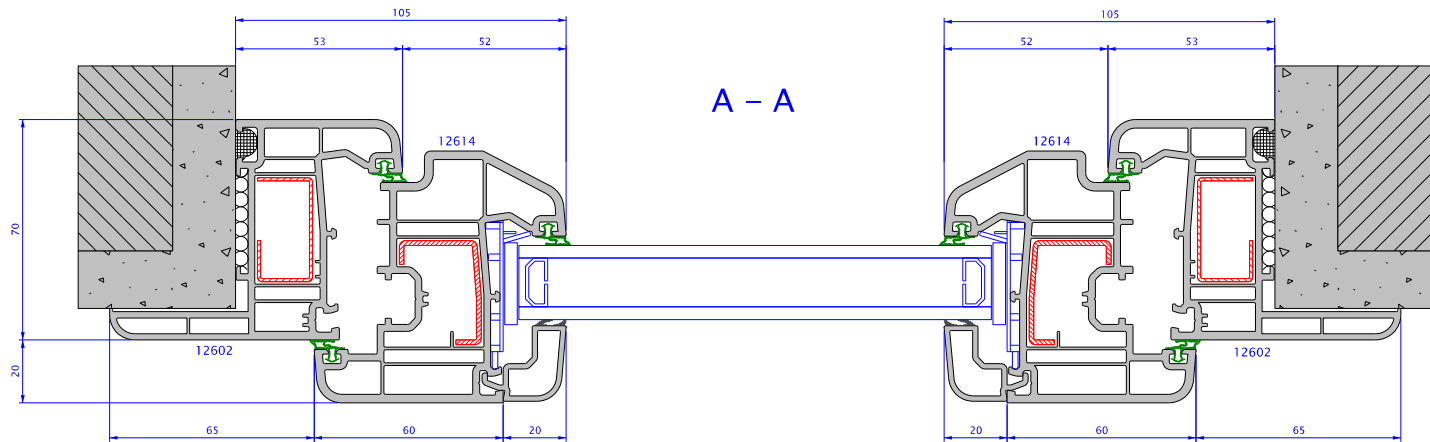
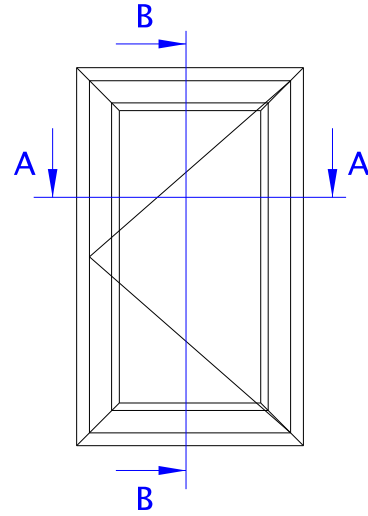


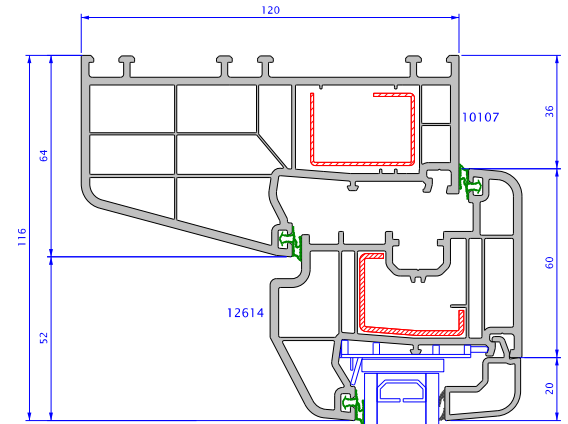
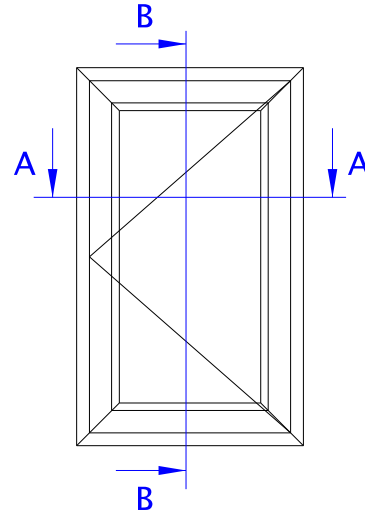
A - A



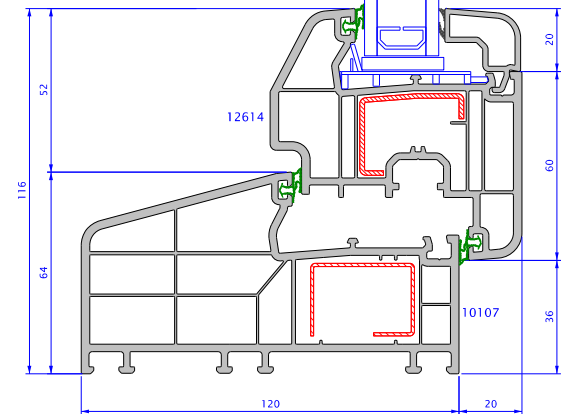
B - B



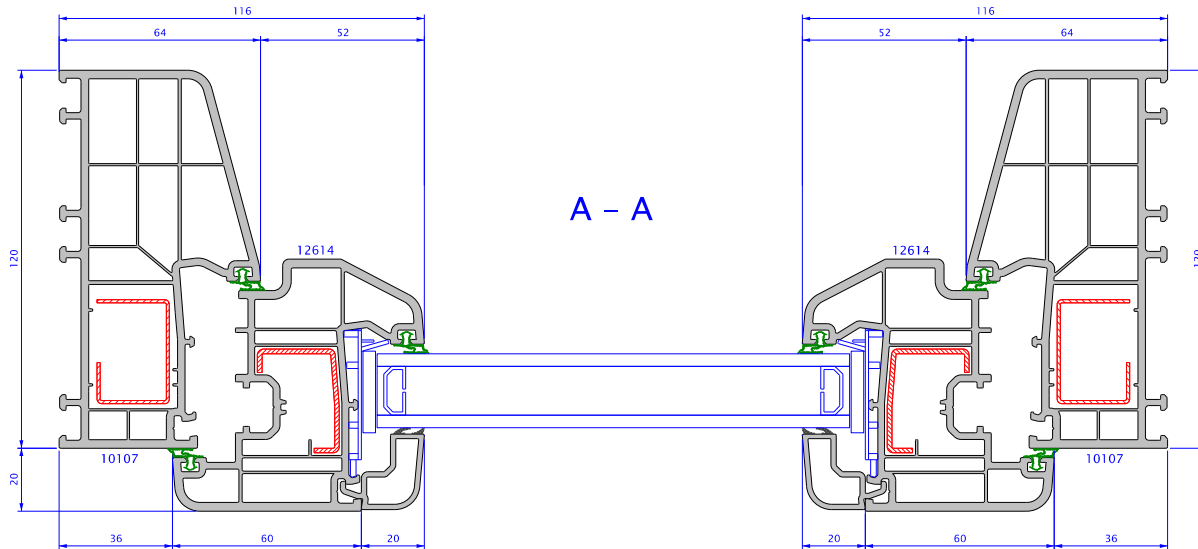


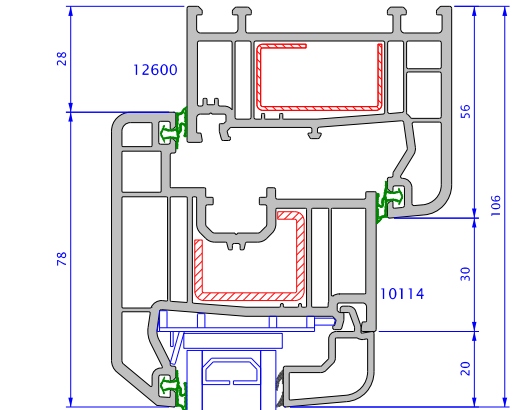
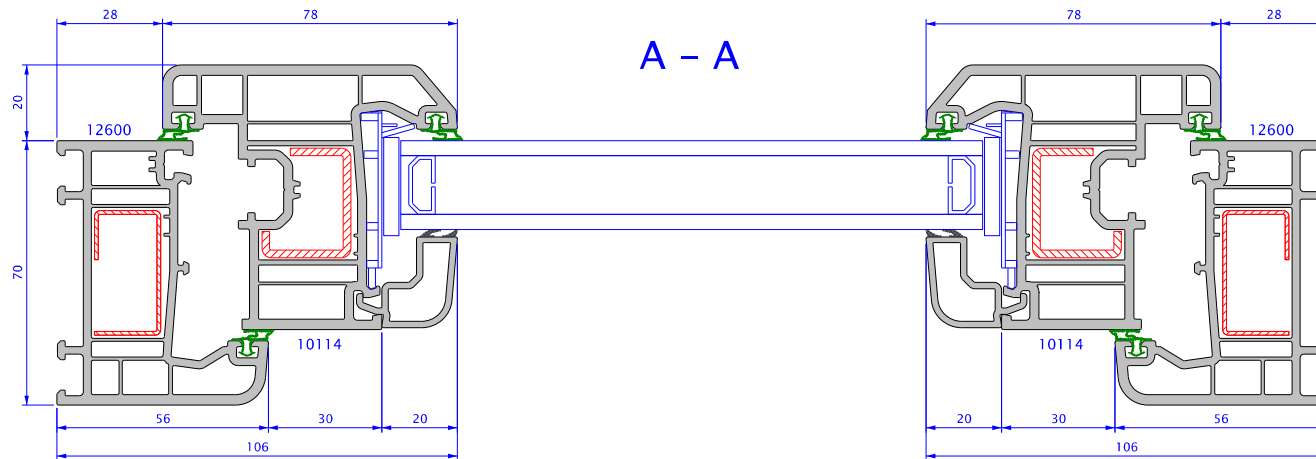
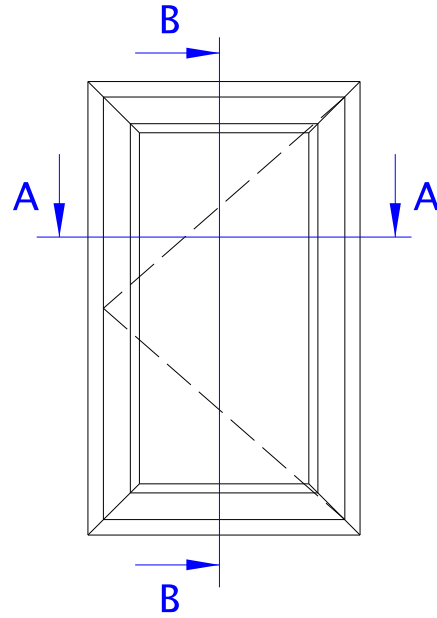


B - B

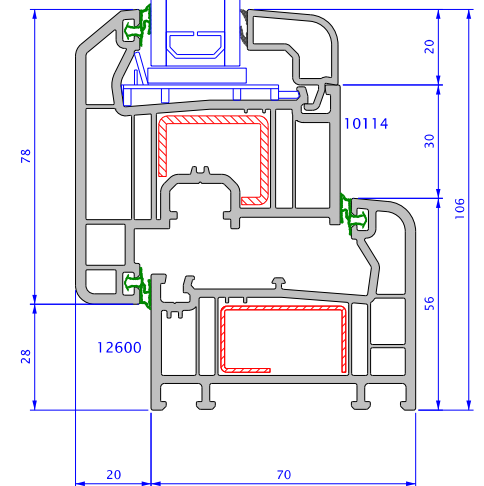


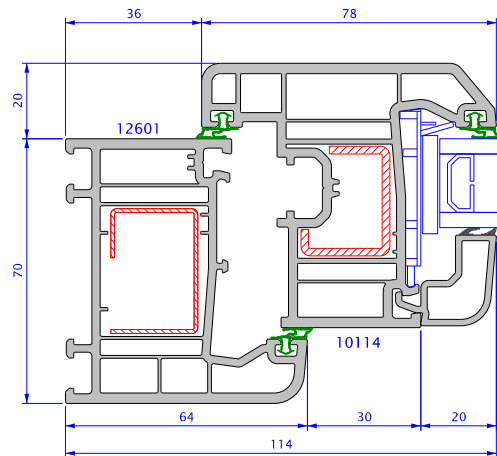
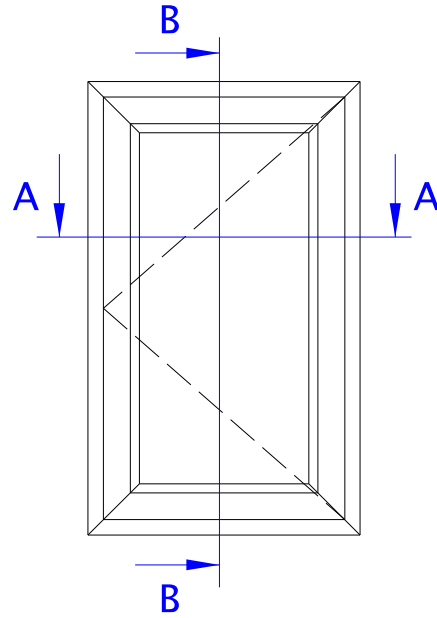
A - A



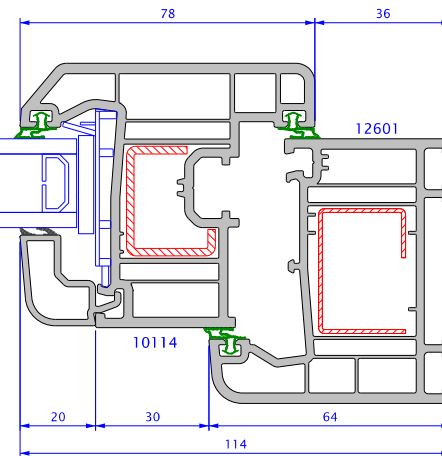


B - B

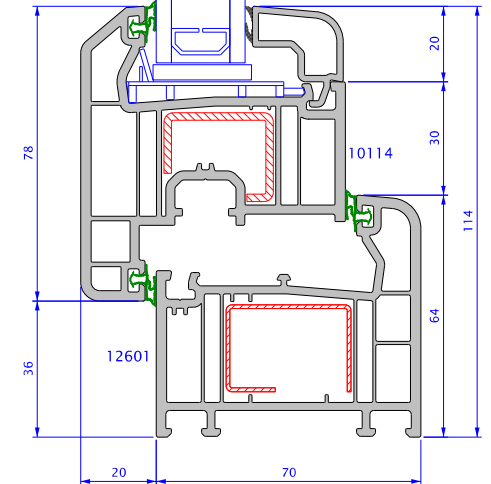
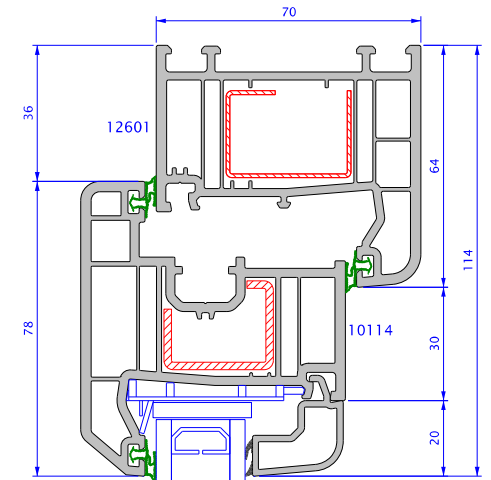


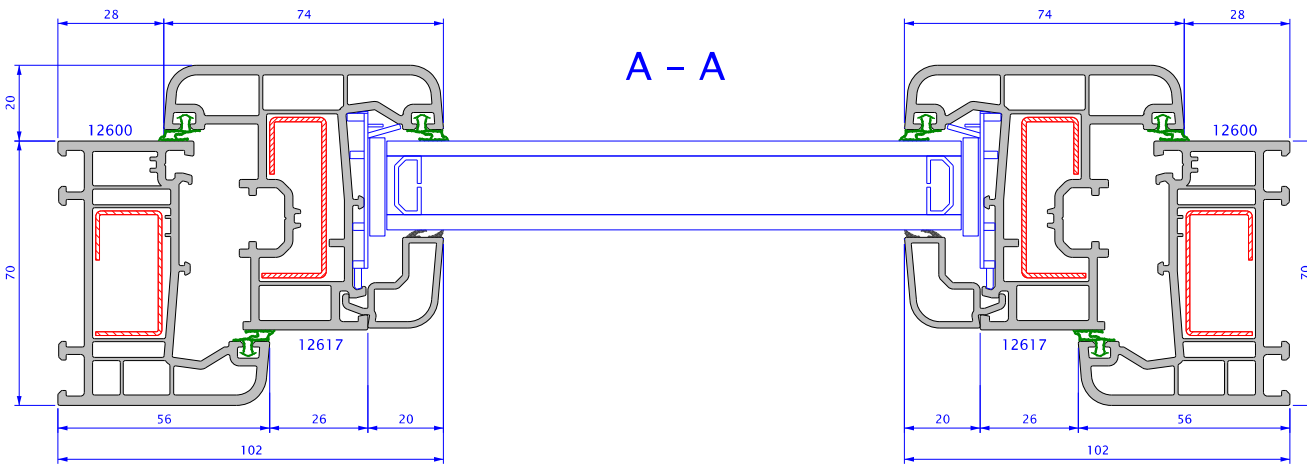
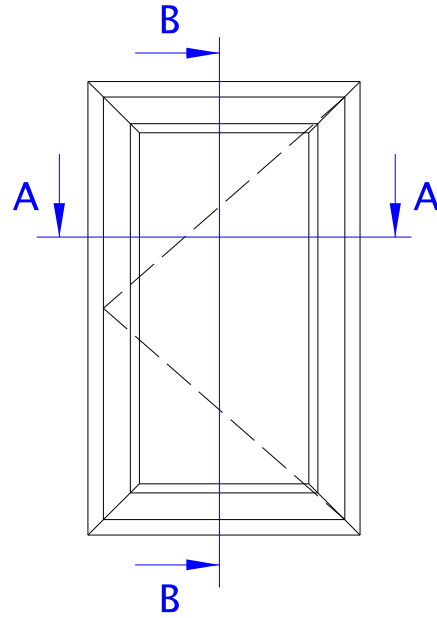


A - A

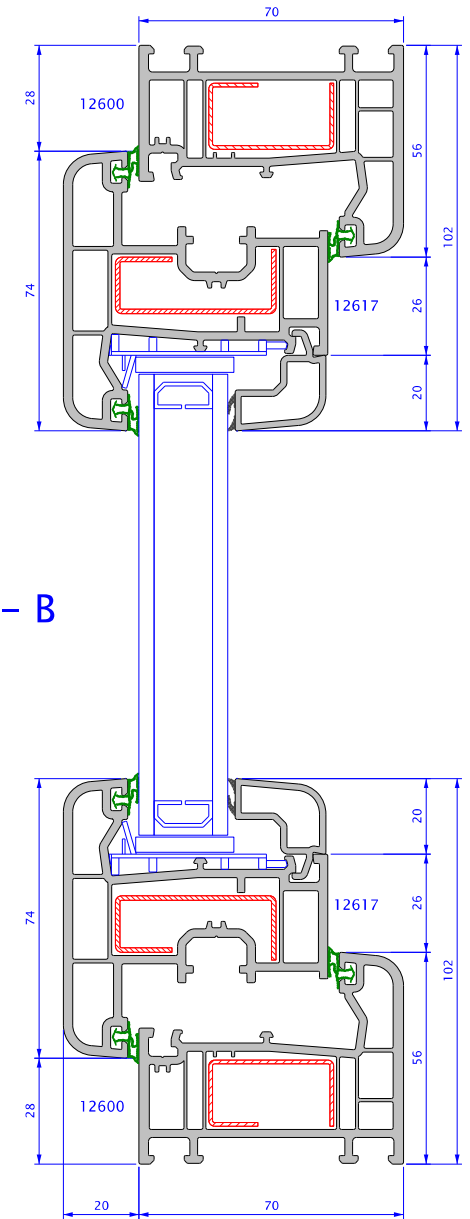


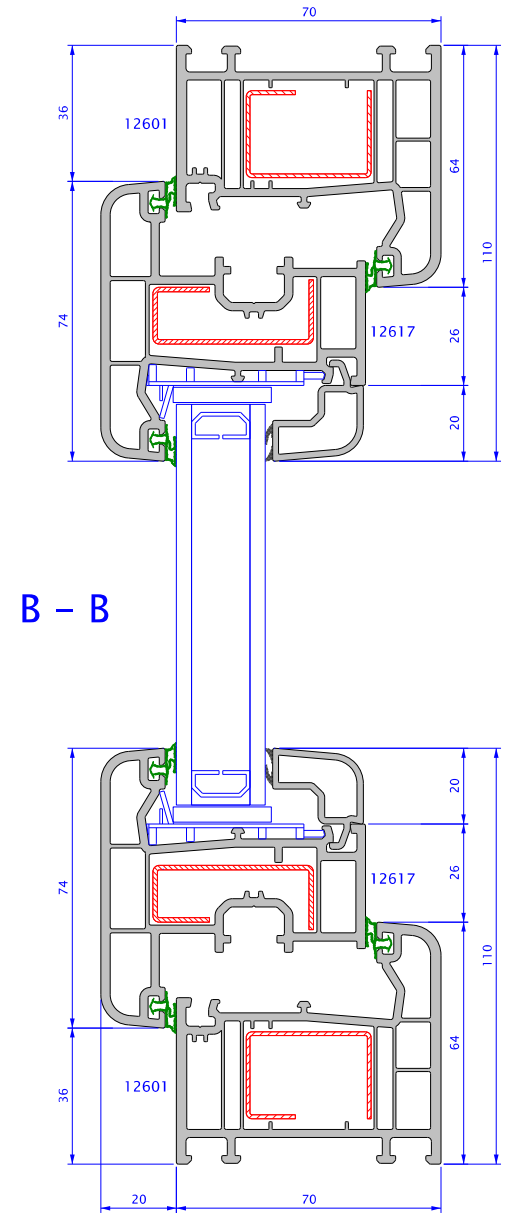
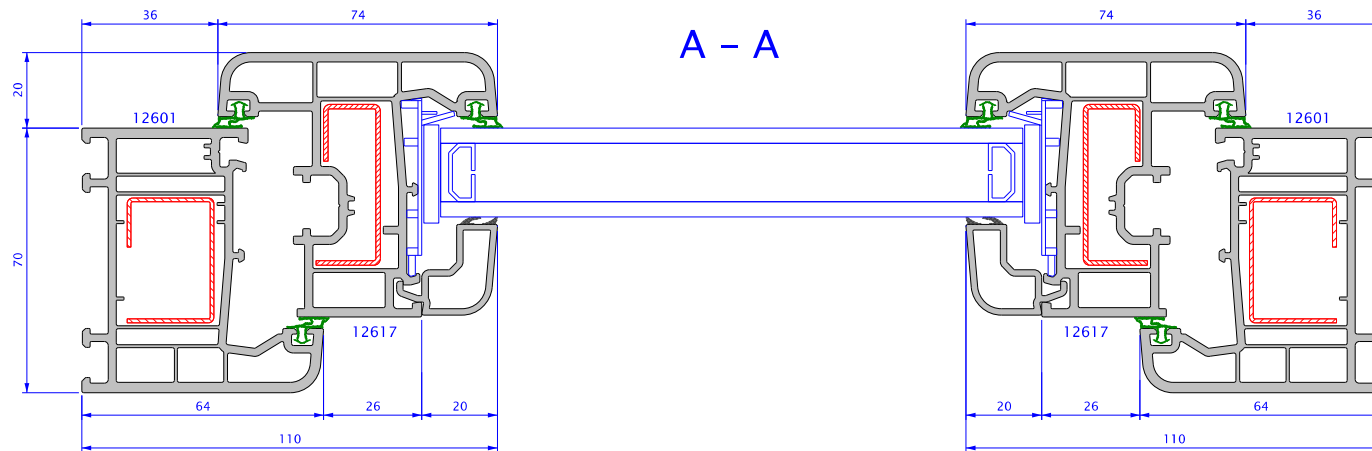
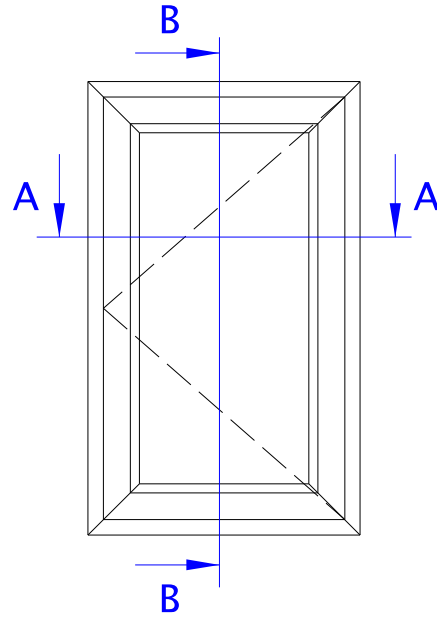
B - B

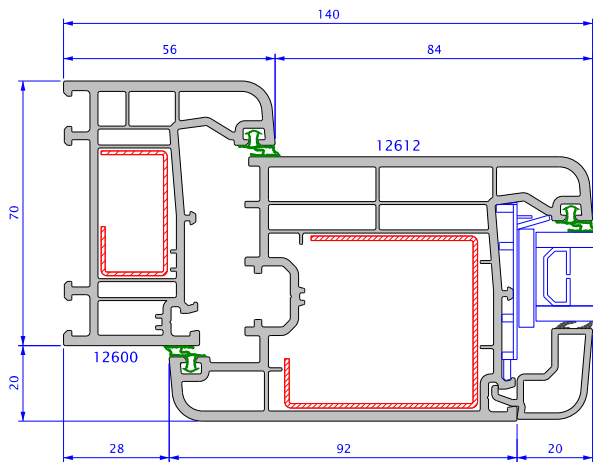
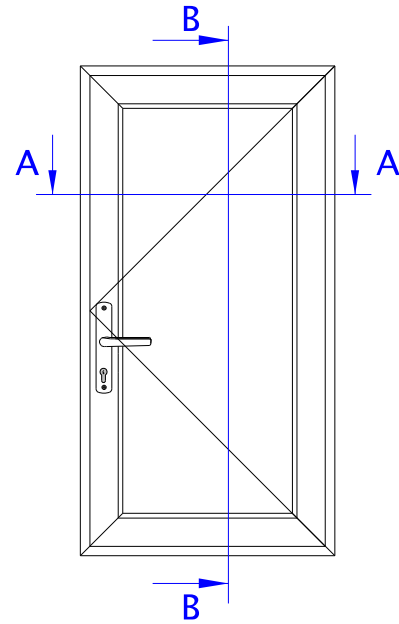




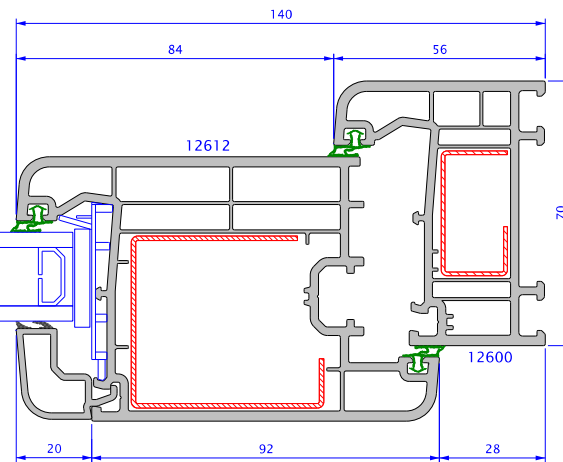
B - B



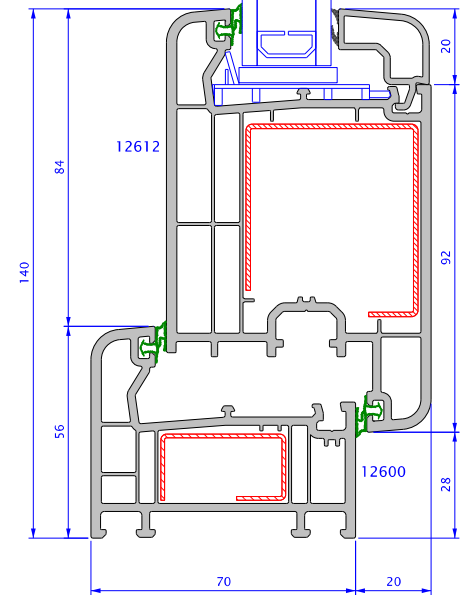
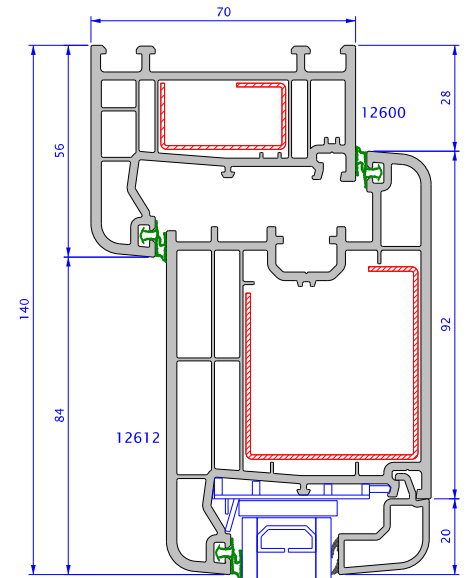


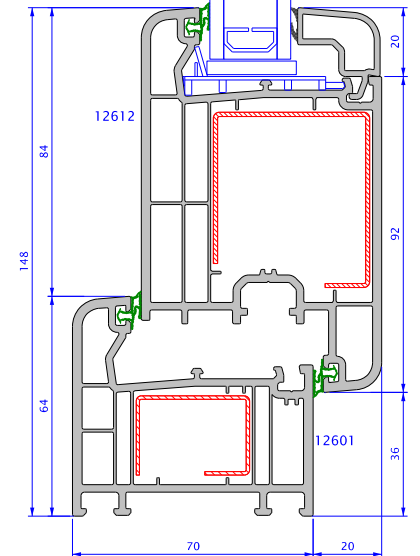
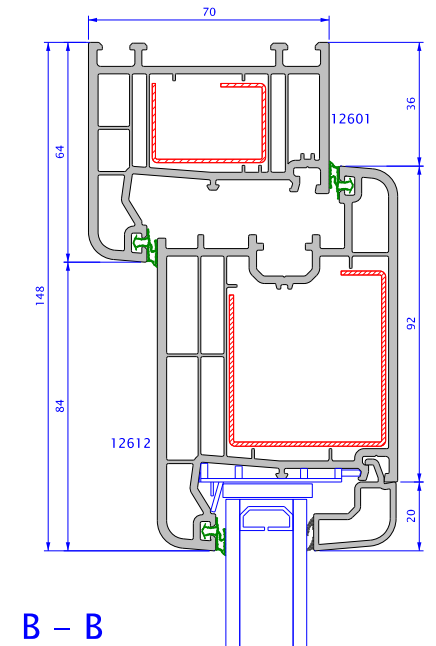
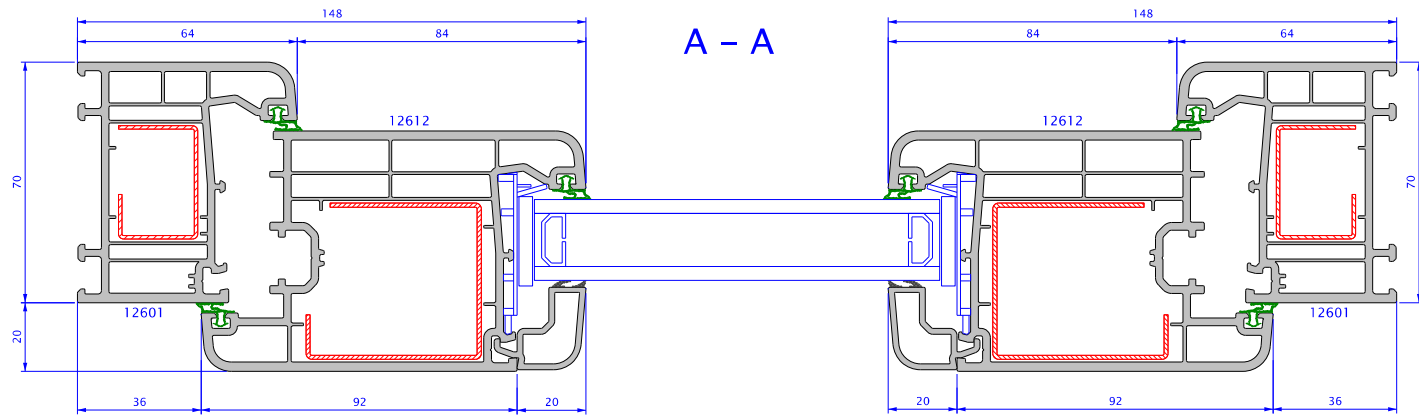
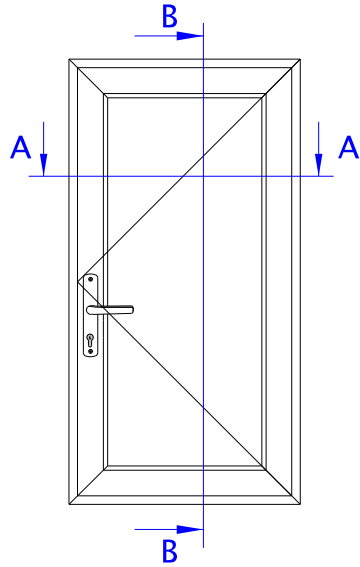


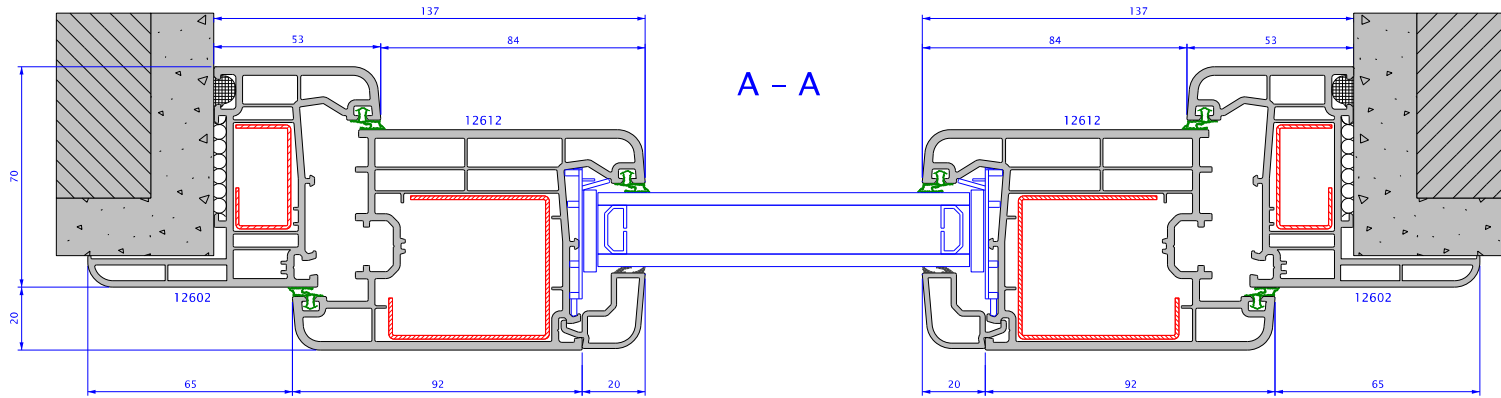
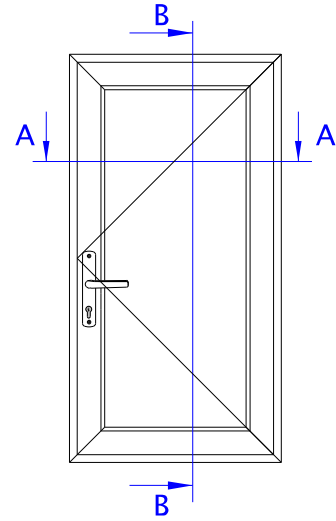
A - A



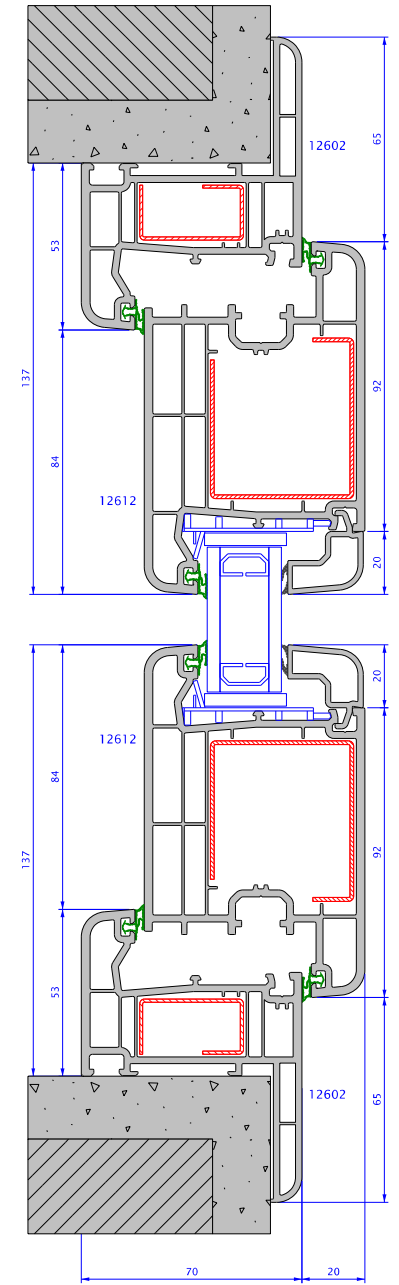
B - B

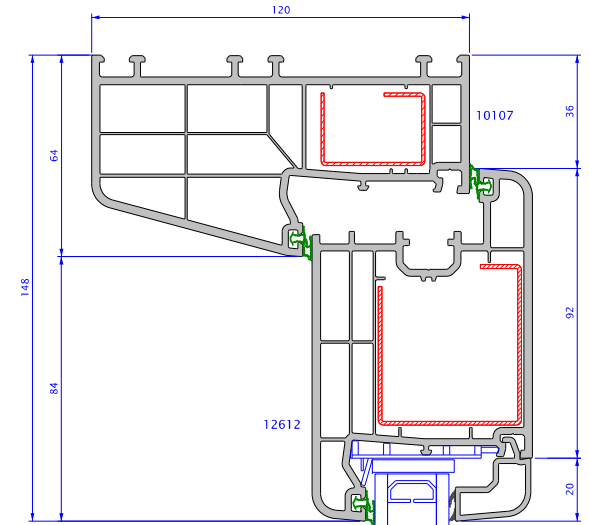
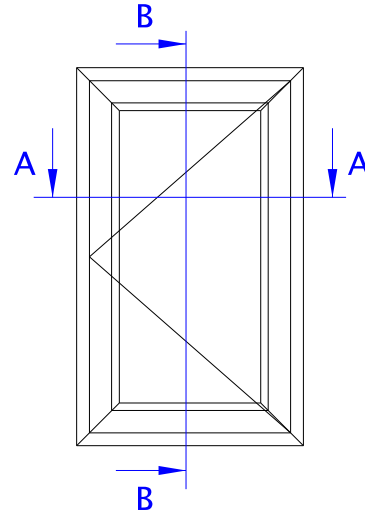




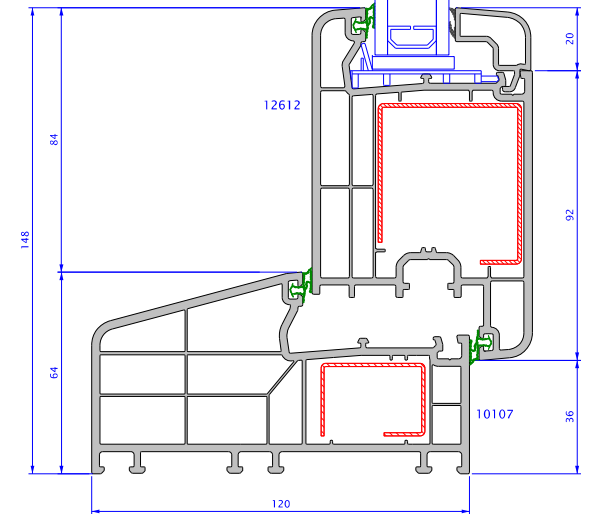


B - B

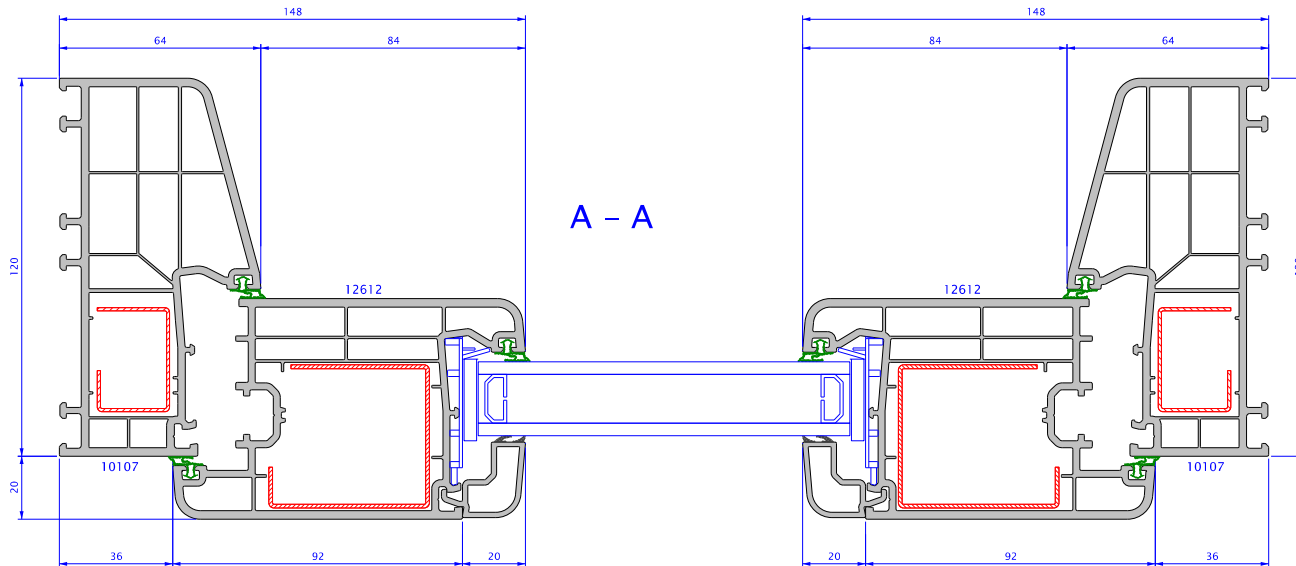


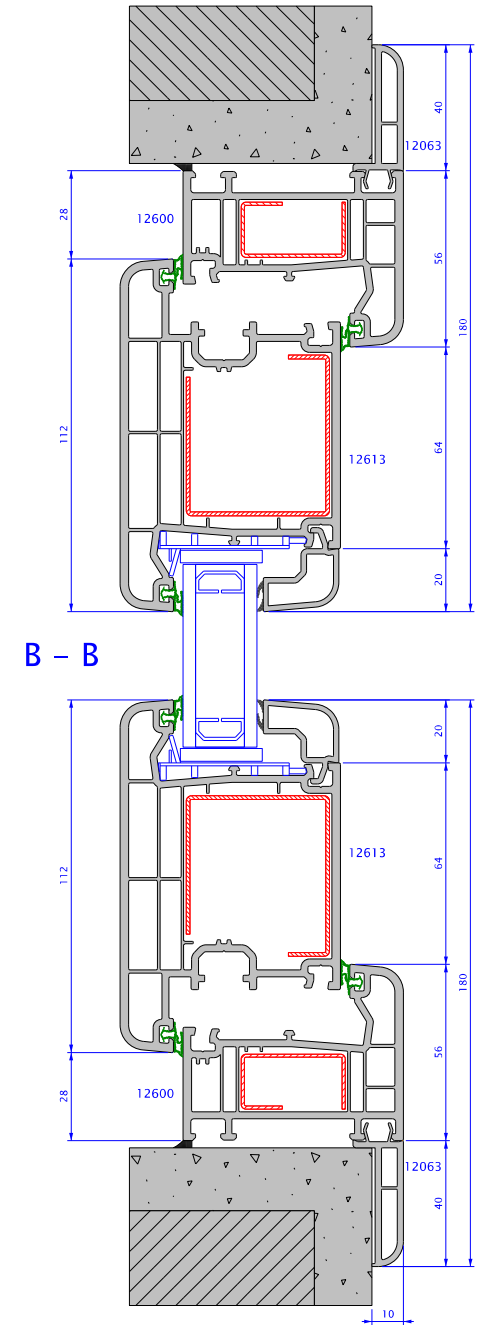
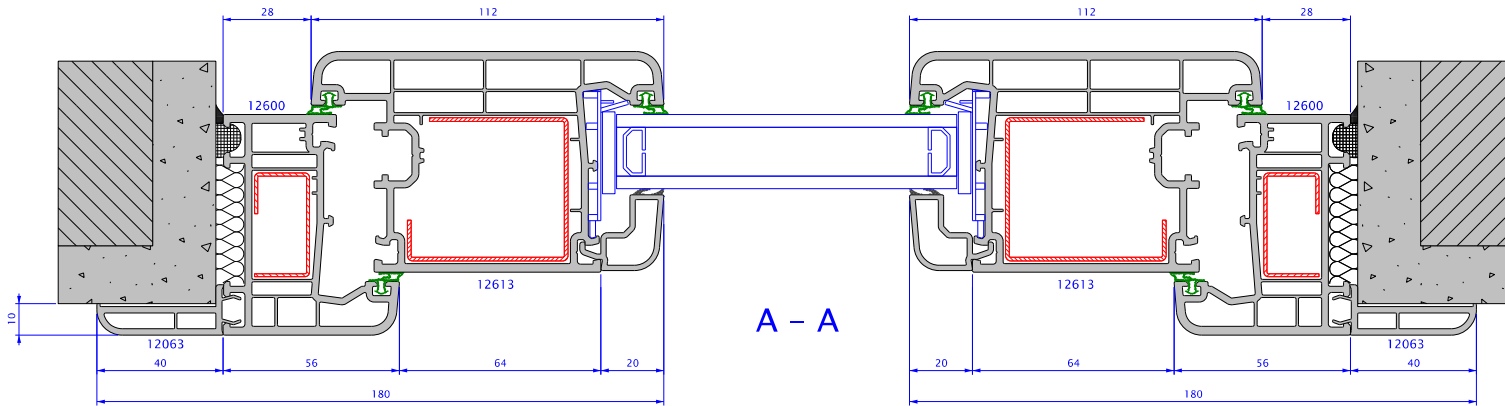
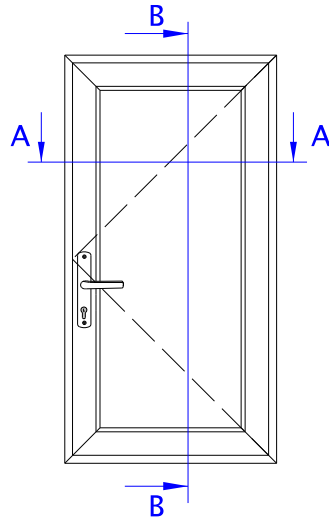


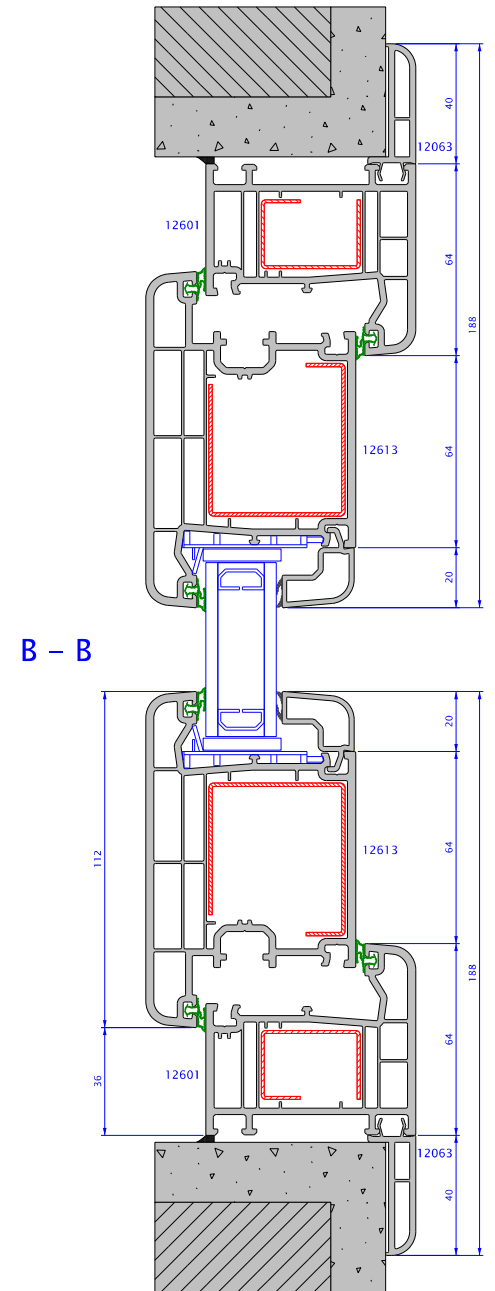
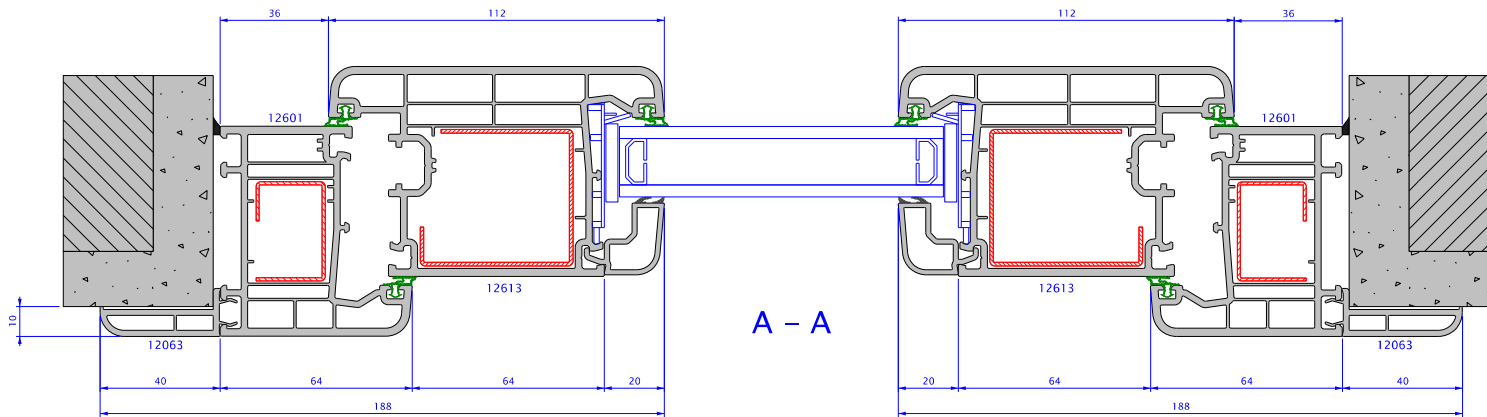
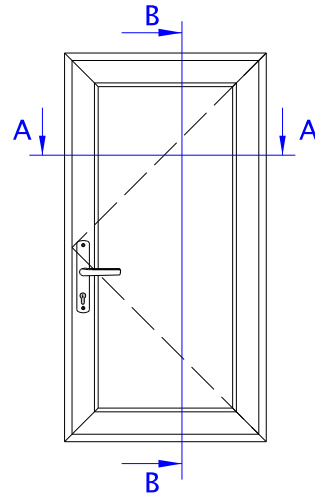
B - B

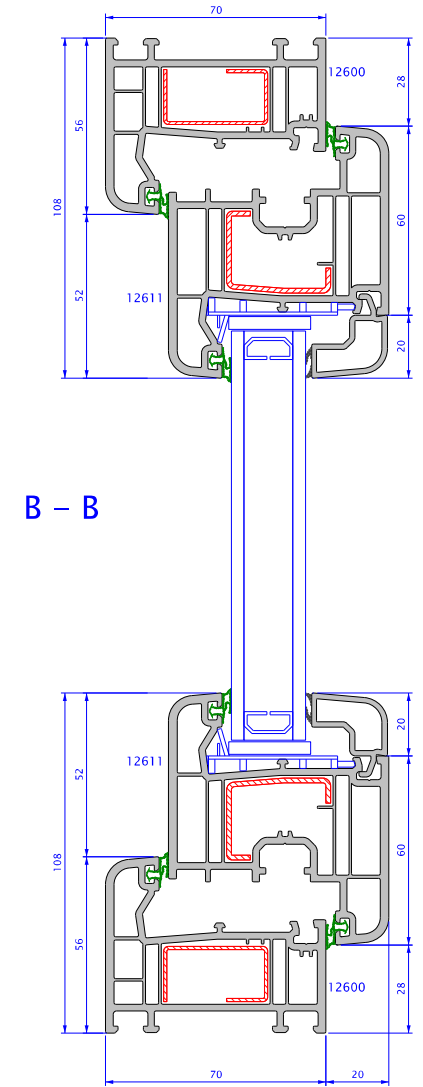
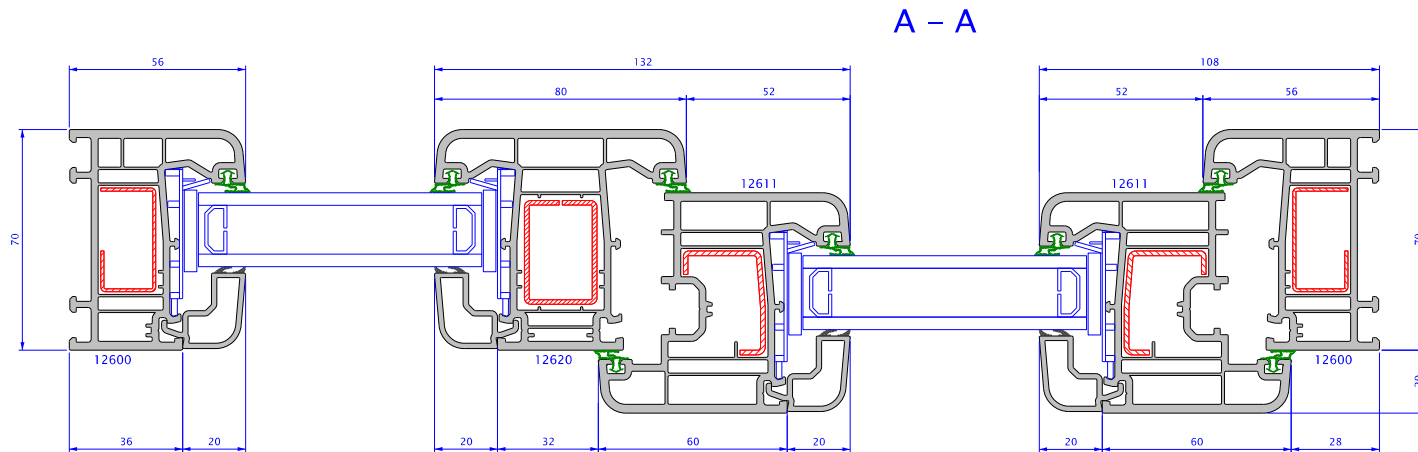
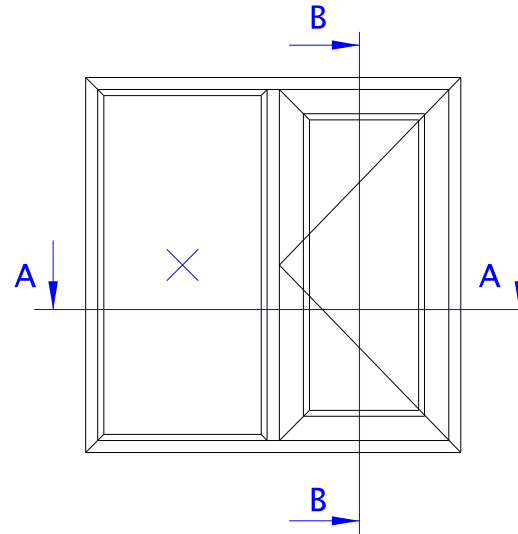


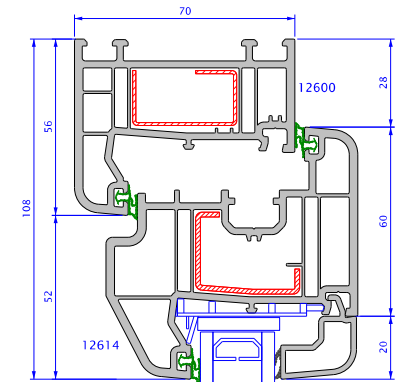
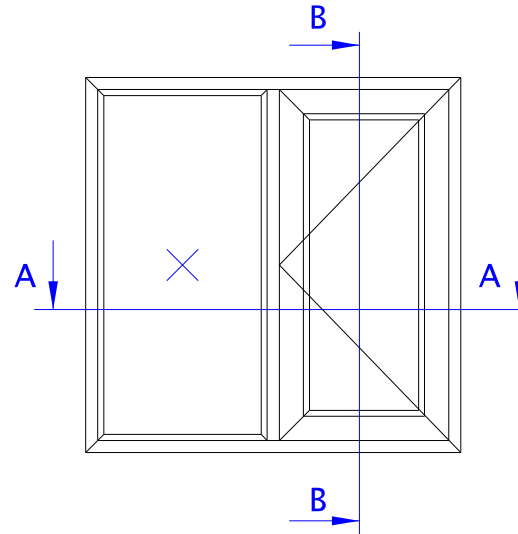
A - A



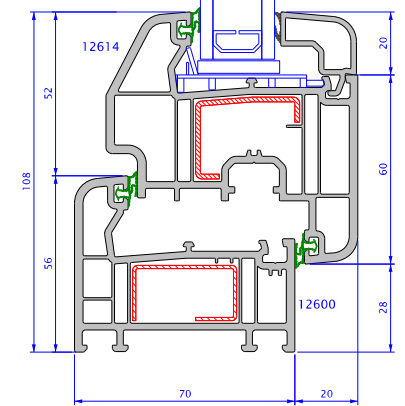




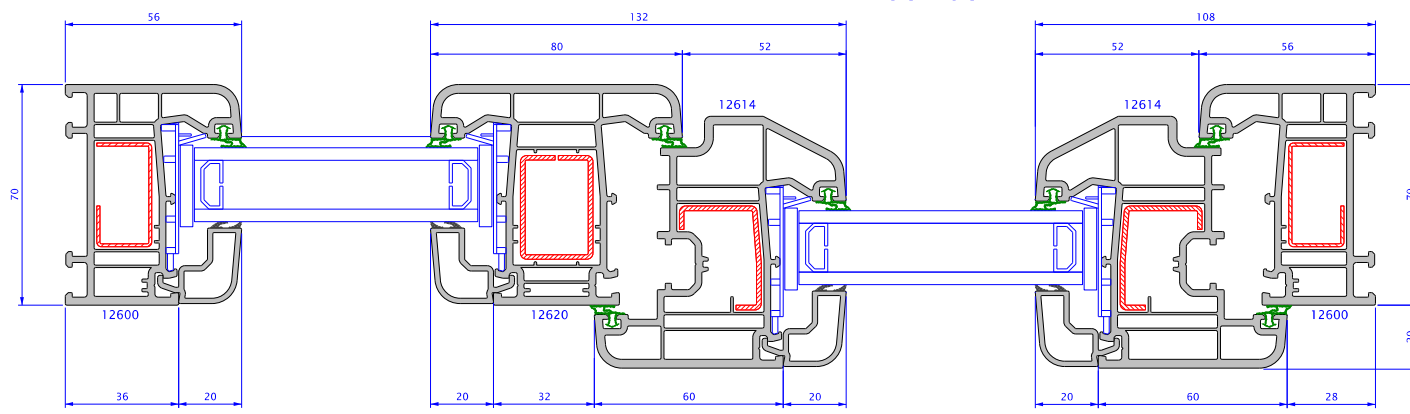


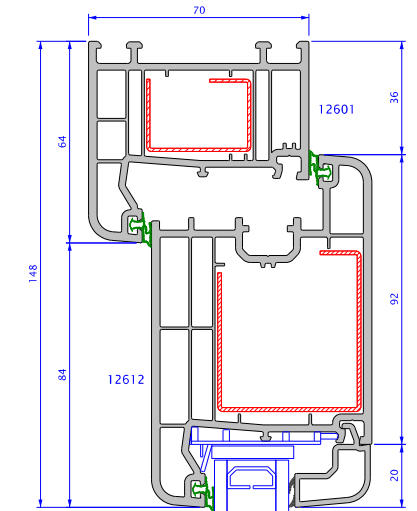
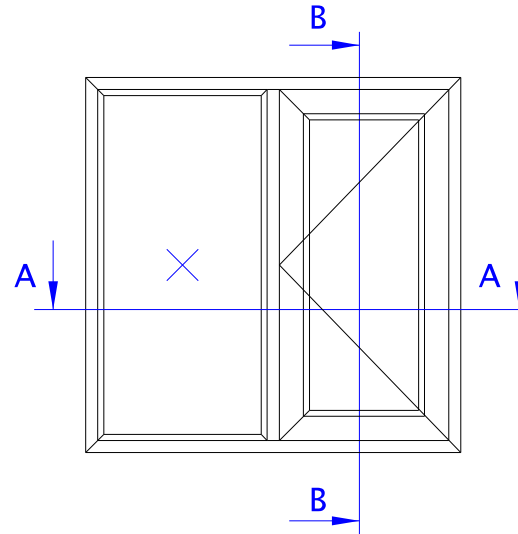


B - B

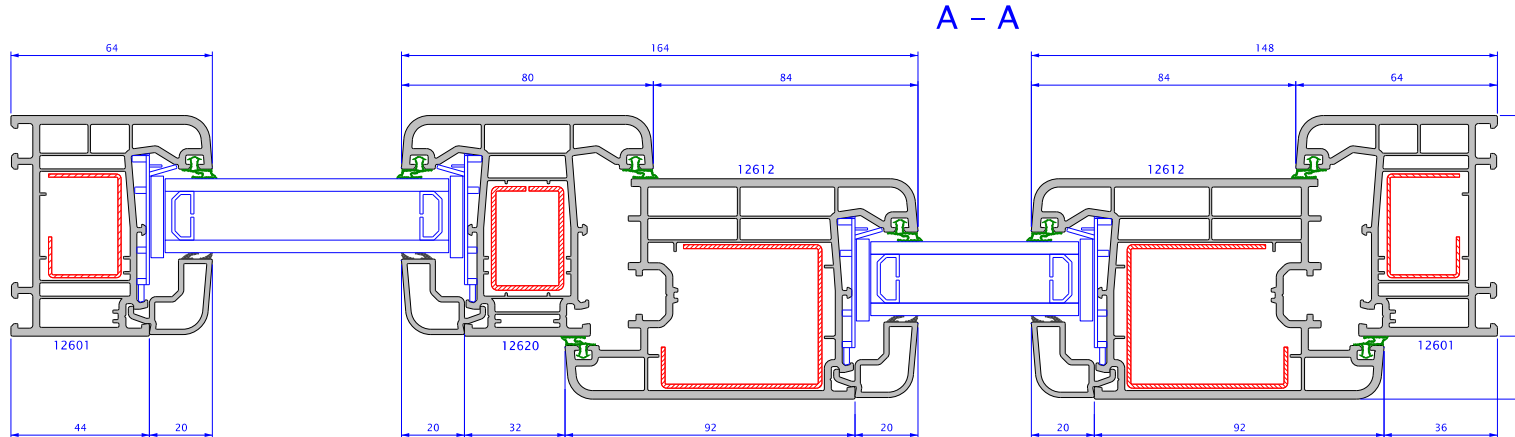


A - A

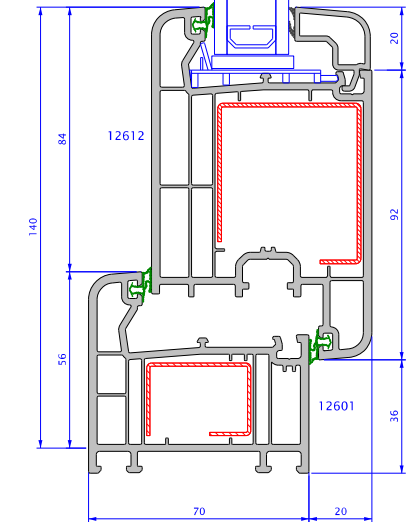


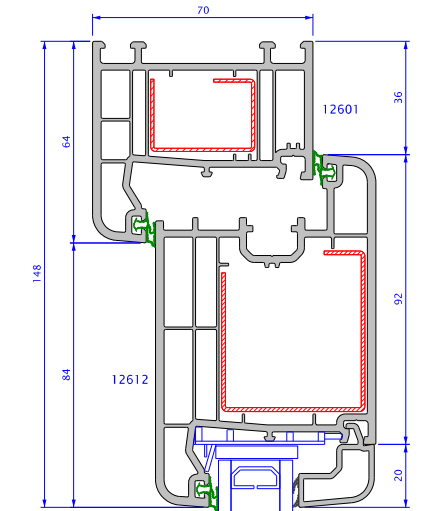
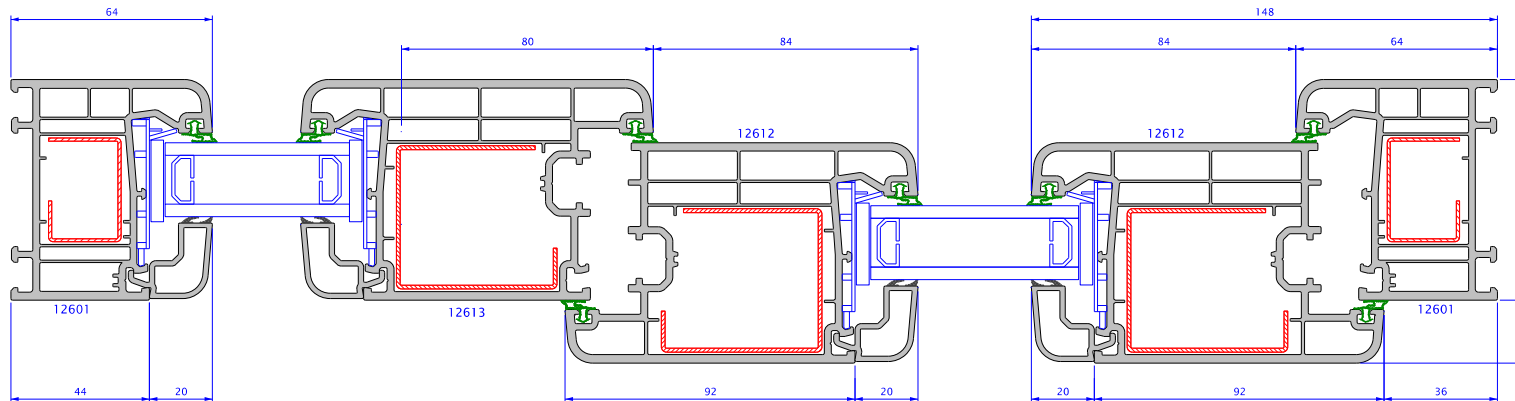
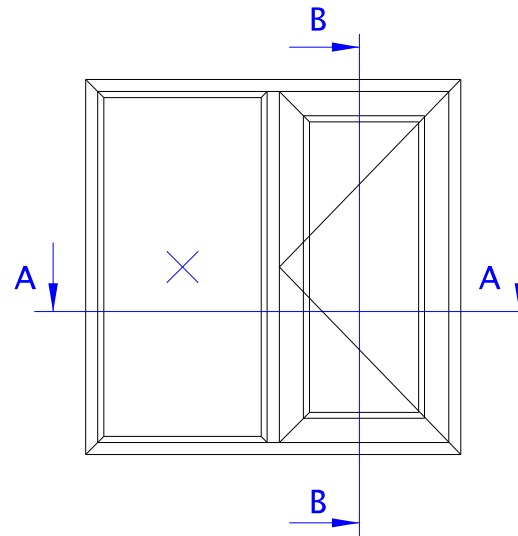


B - B

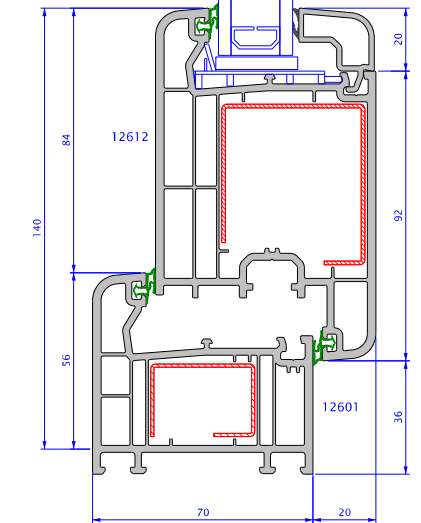


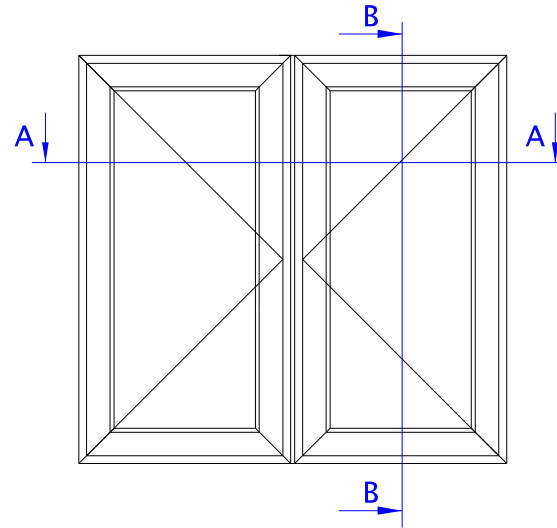
A - A



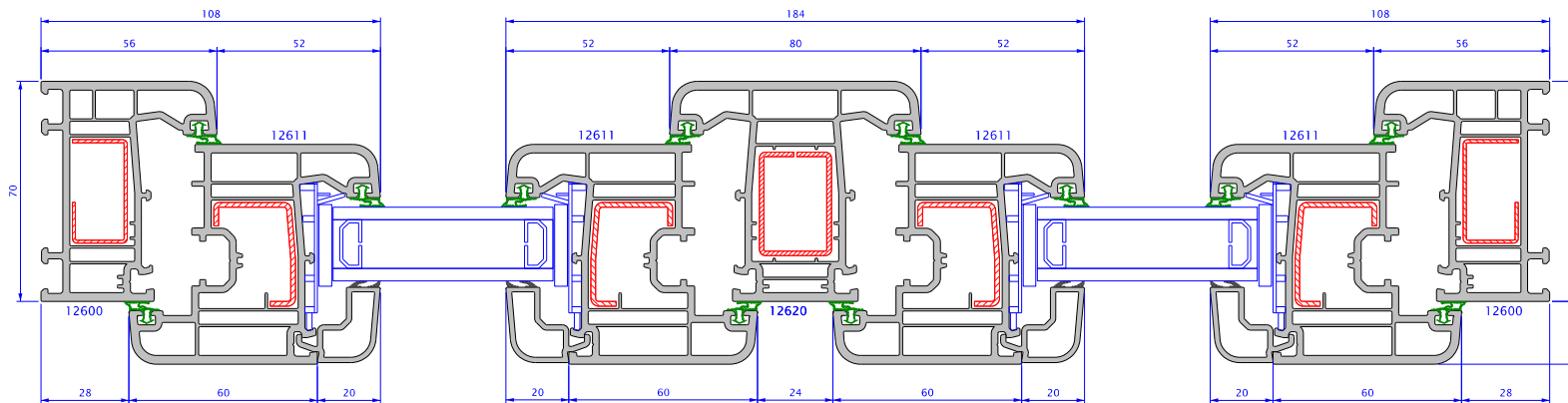


B - B

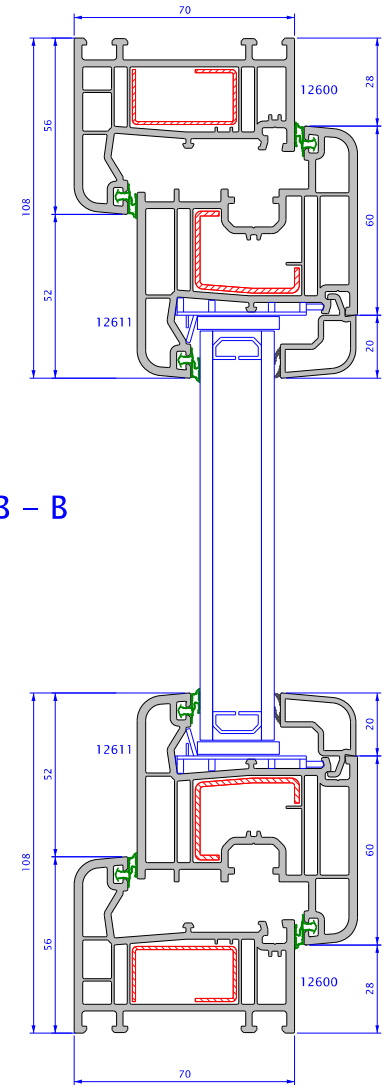


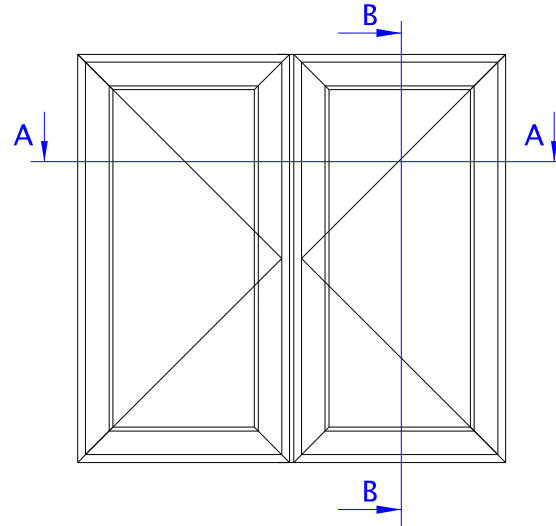


A - A

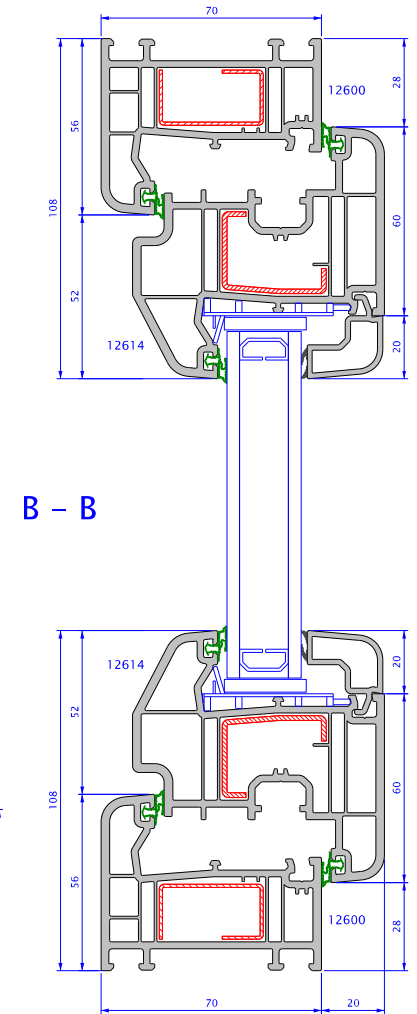
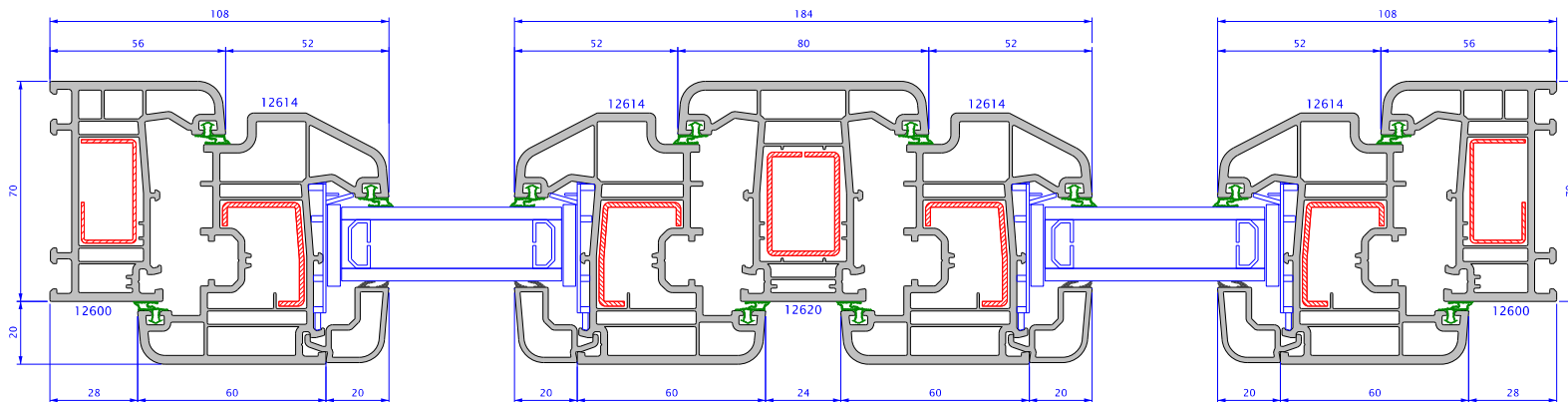


B - B

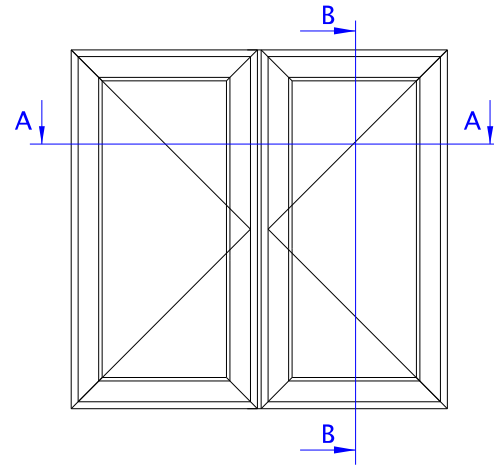




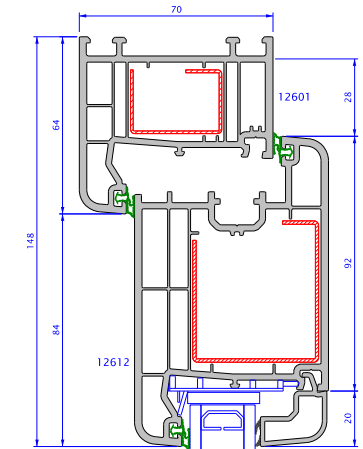
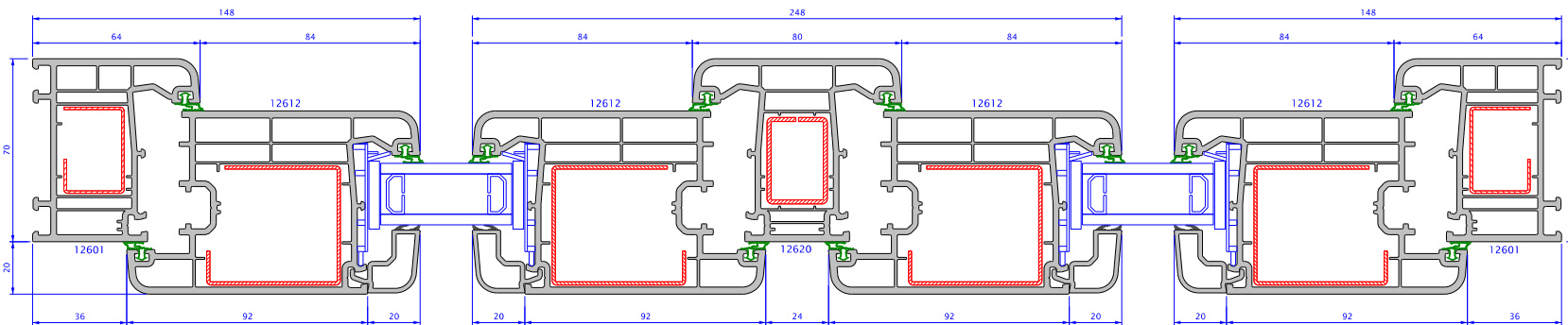
A - A



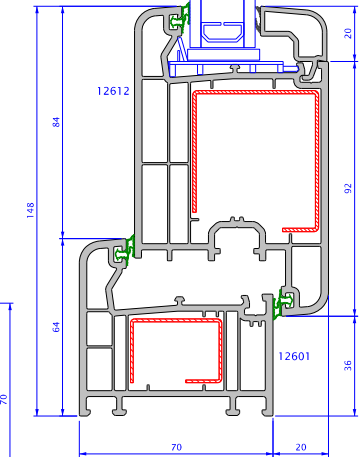
B - B

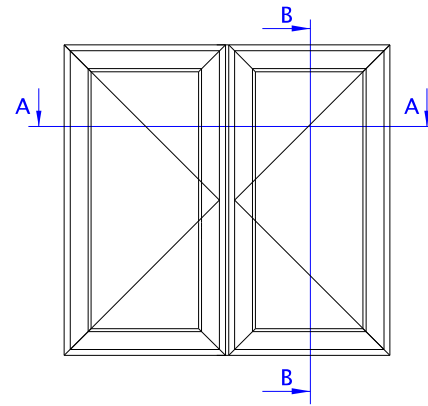


A - A

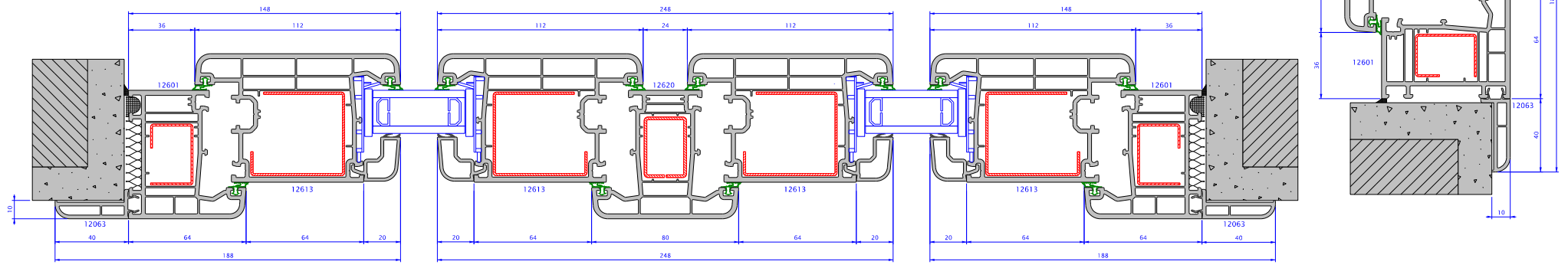


B - B

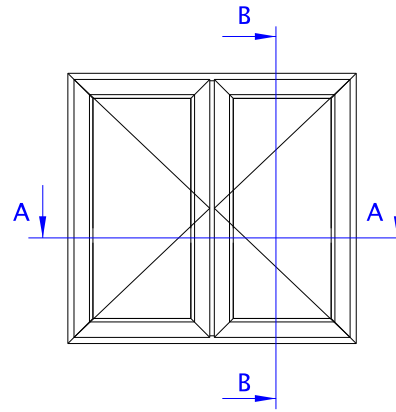




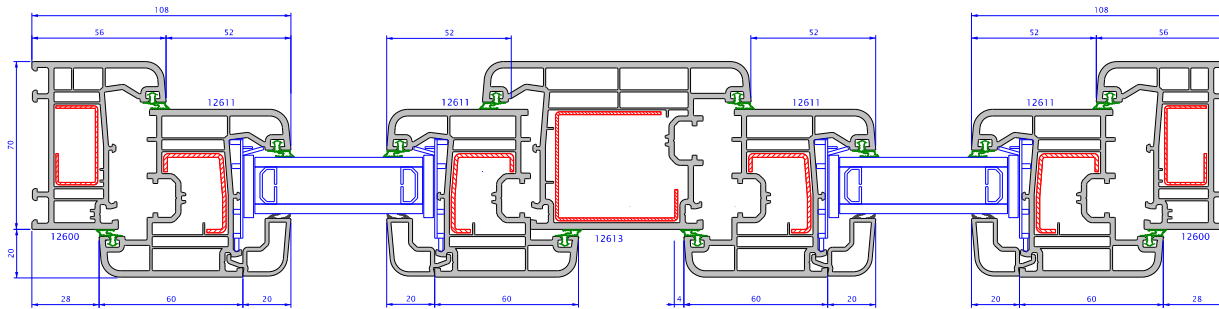
A - A



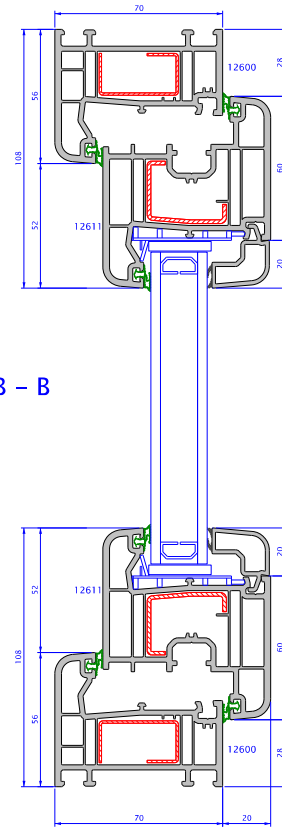
Technical documents are subject to change without notice.

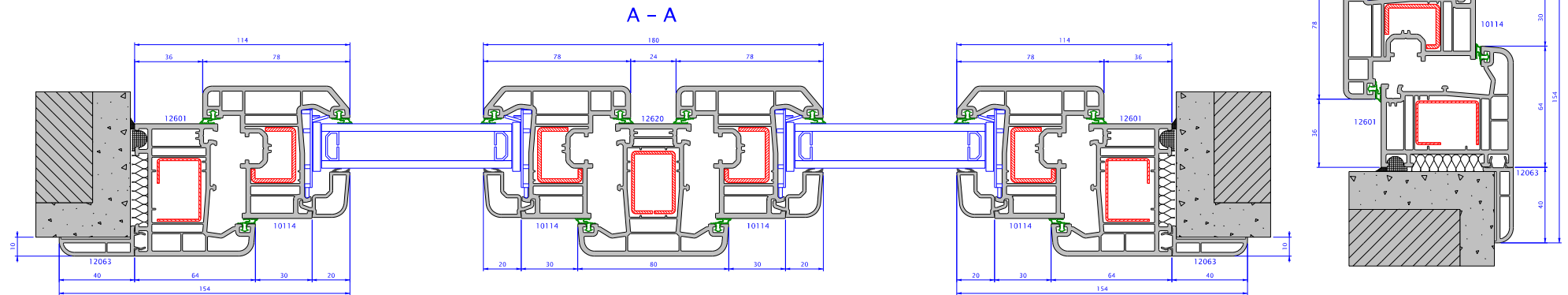
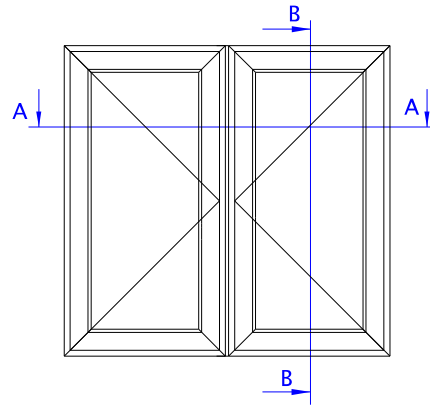


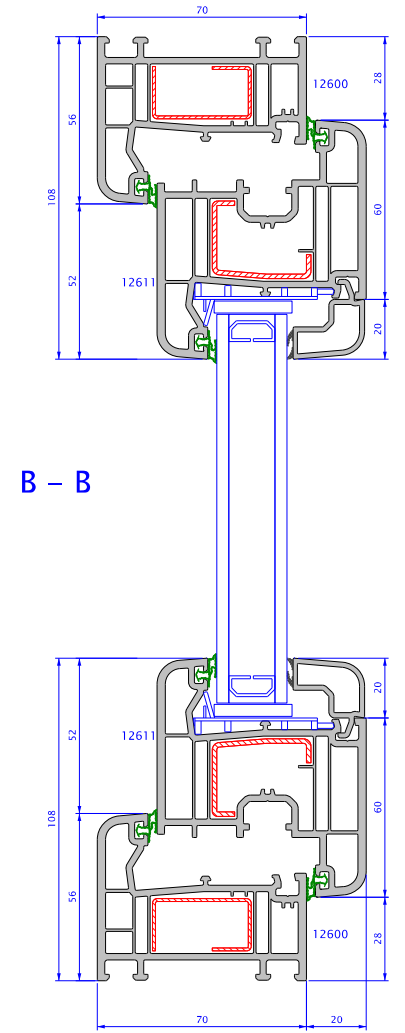
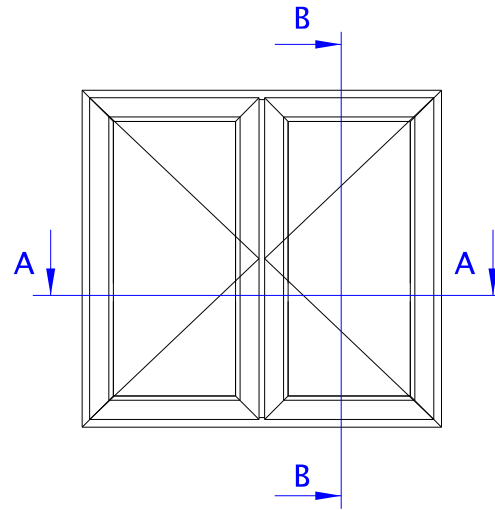
A - A



B - B

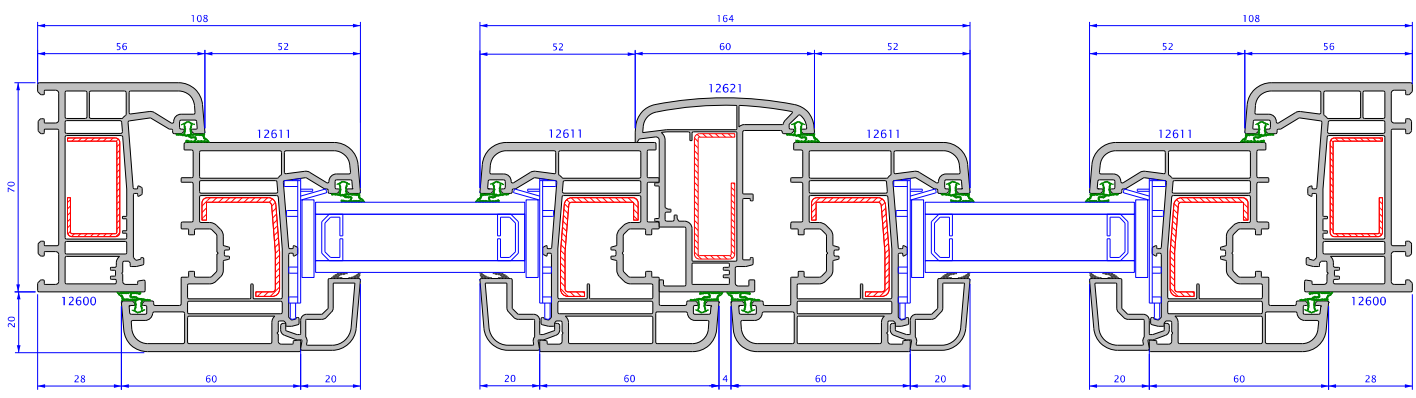






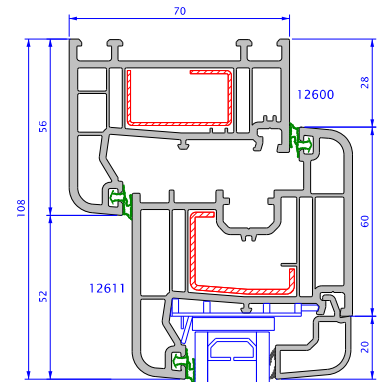
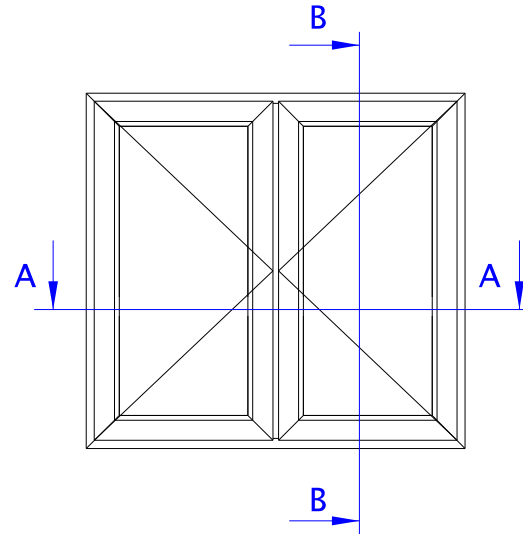
B - B

A - A



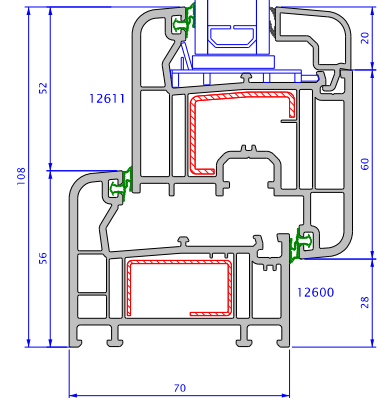
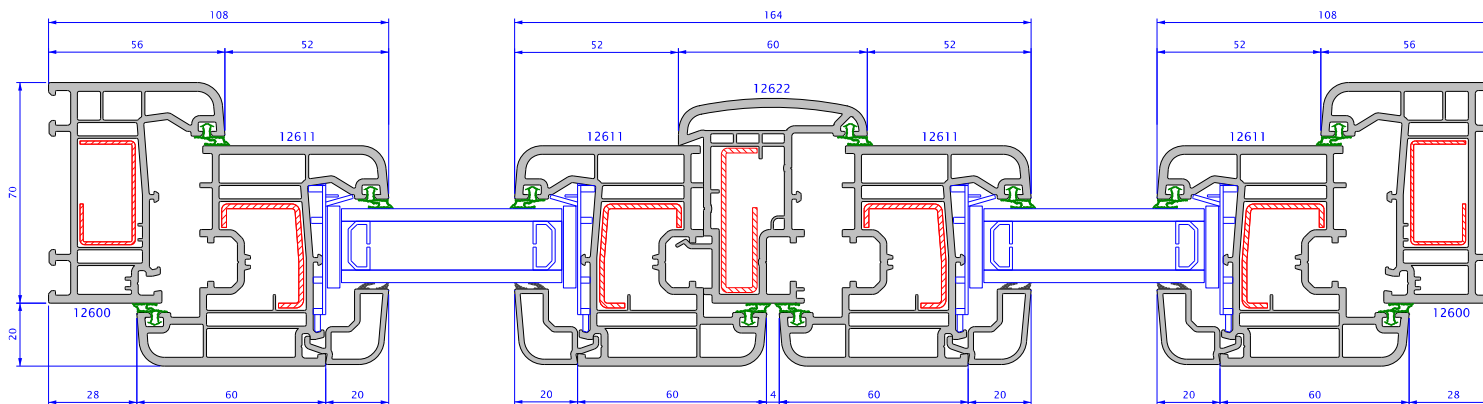
A - A

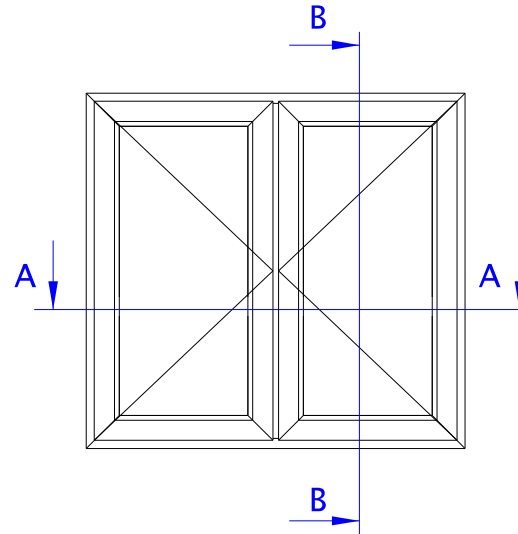
Technical documents are subject to change without notice.



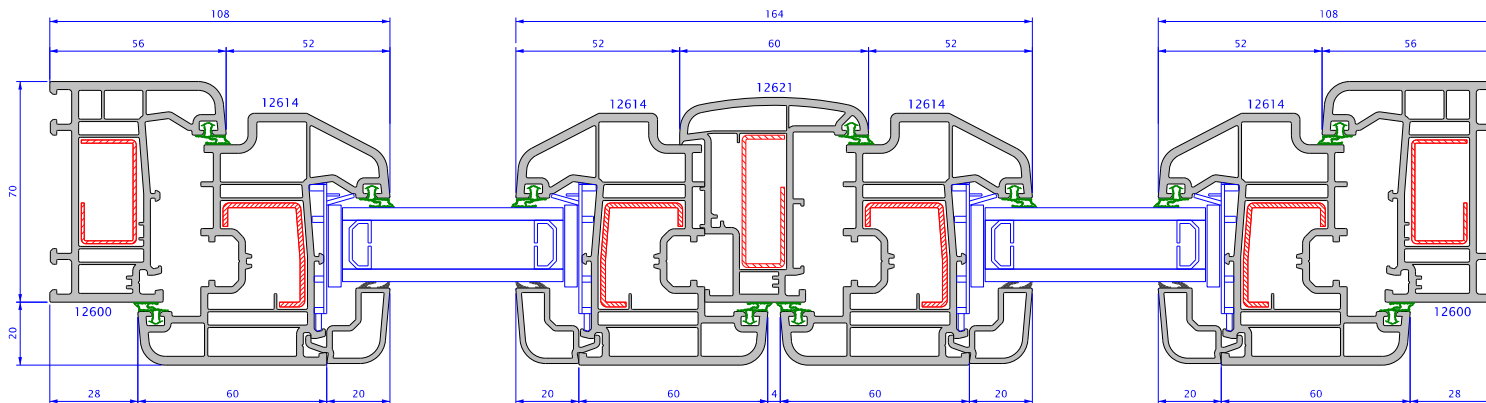
B - B

A - A

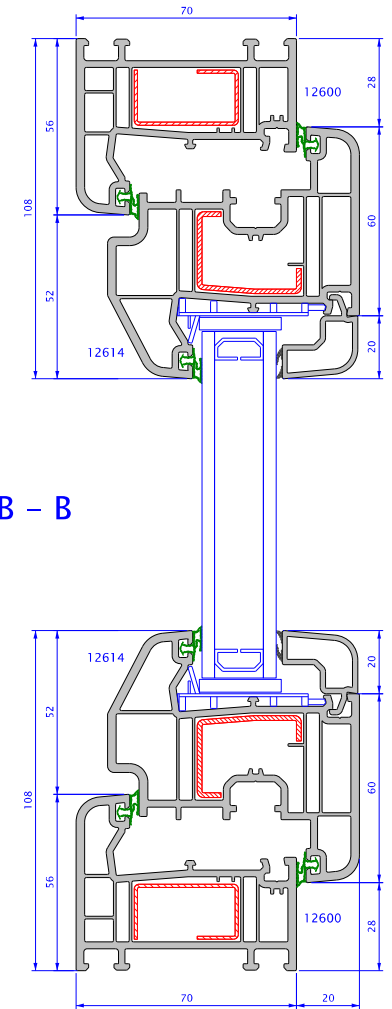


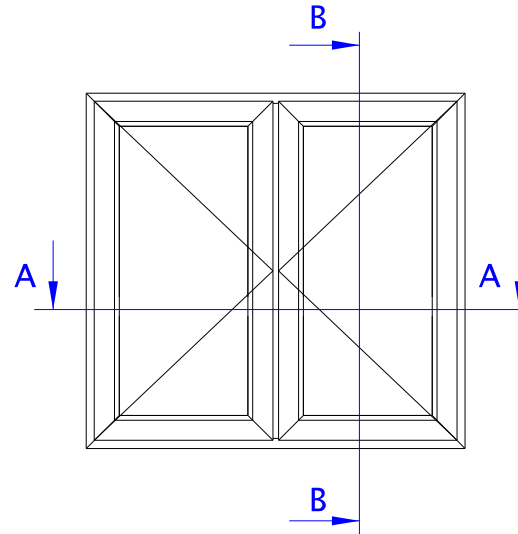


A - A

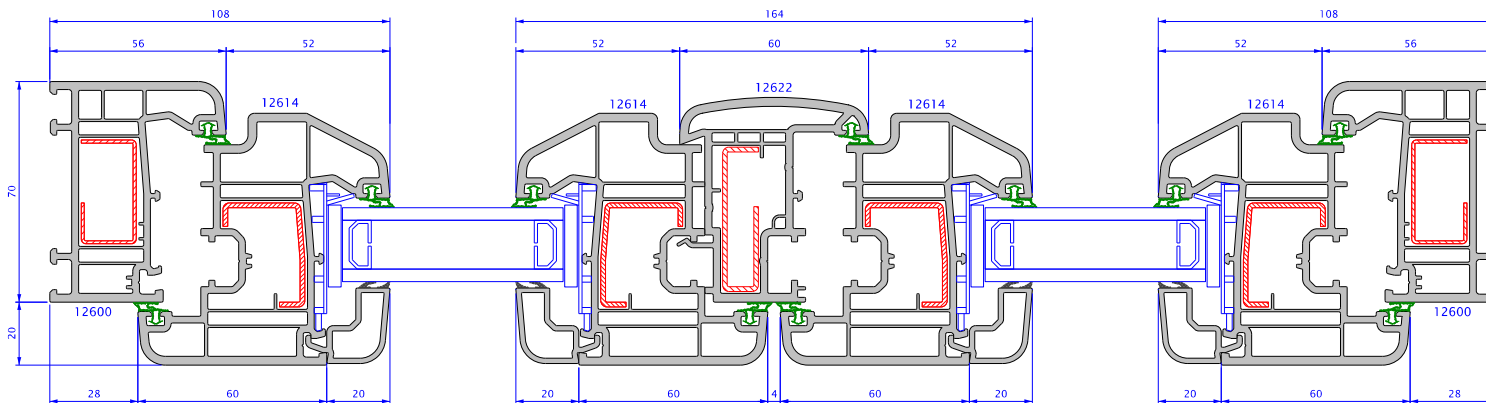


B - B

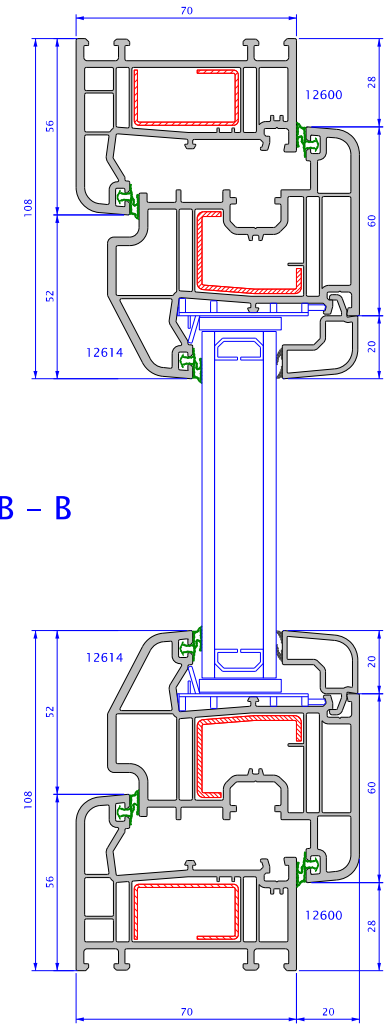


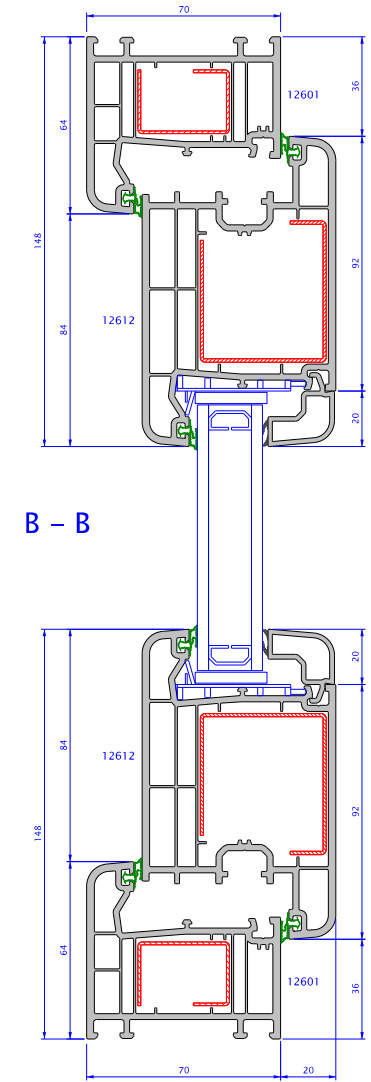
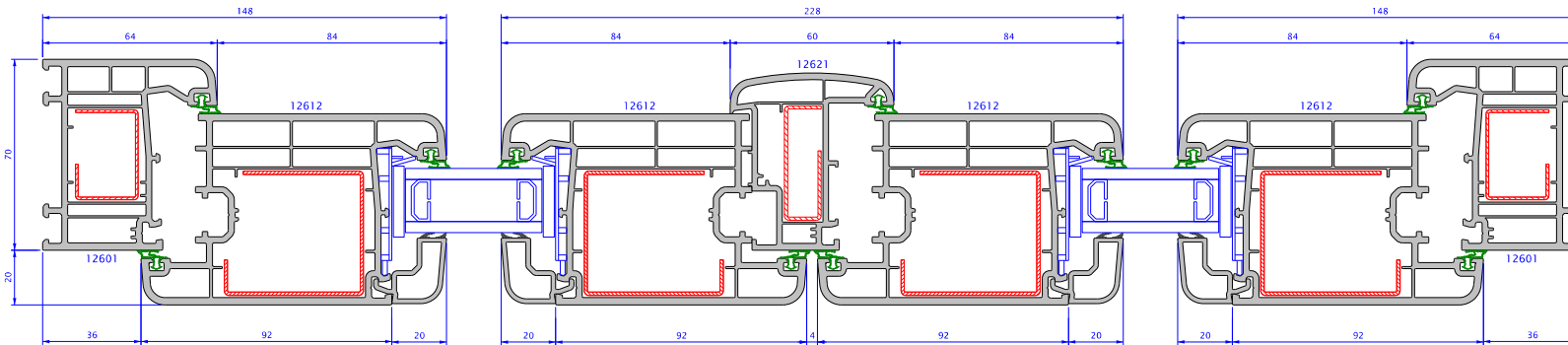
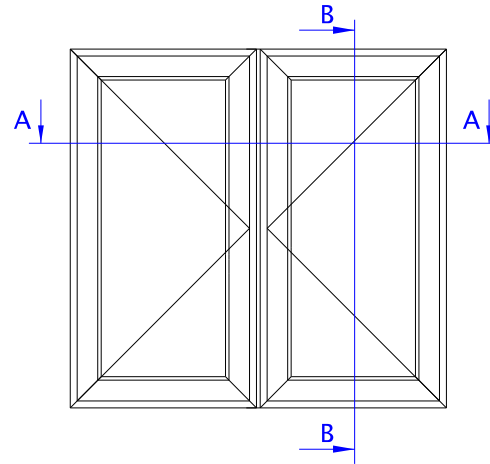


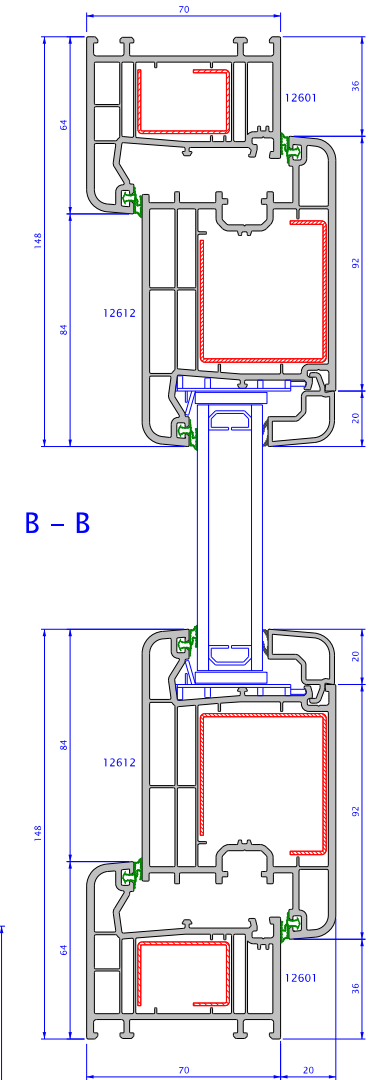
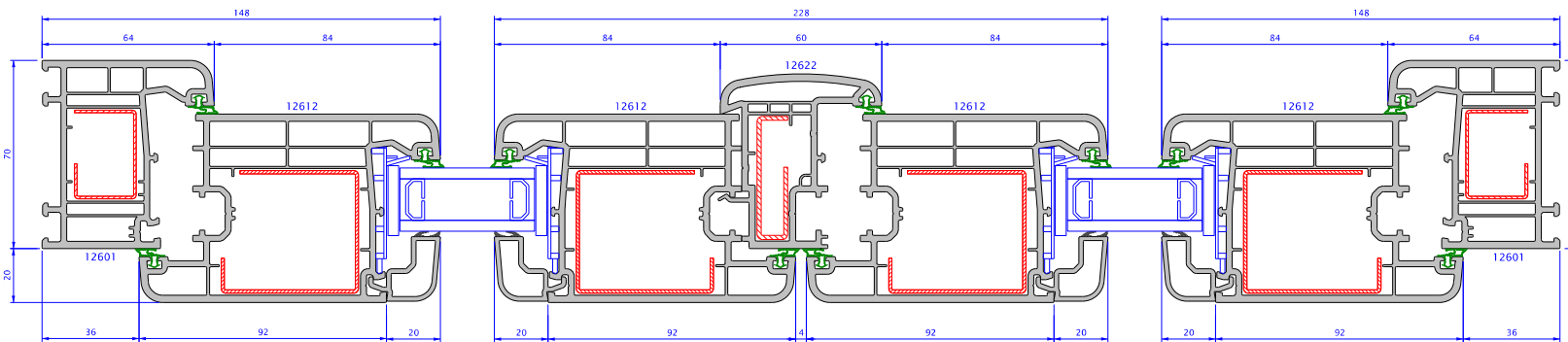
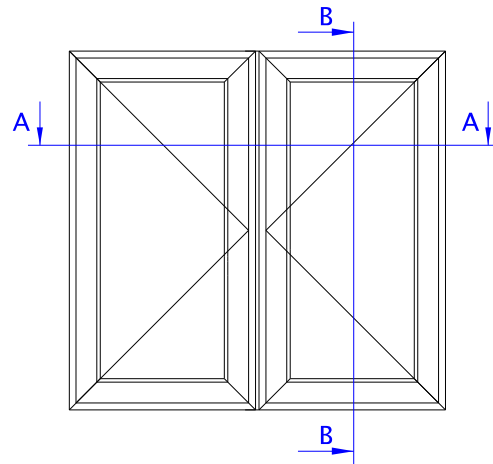
A - A

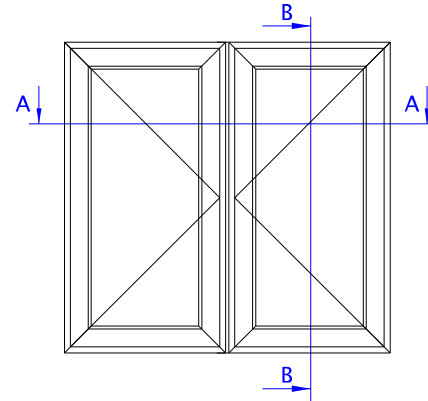


B - B

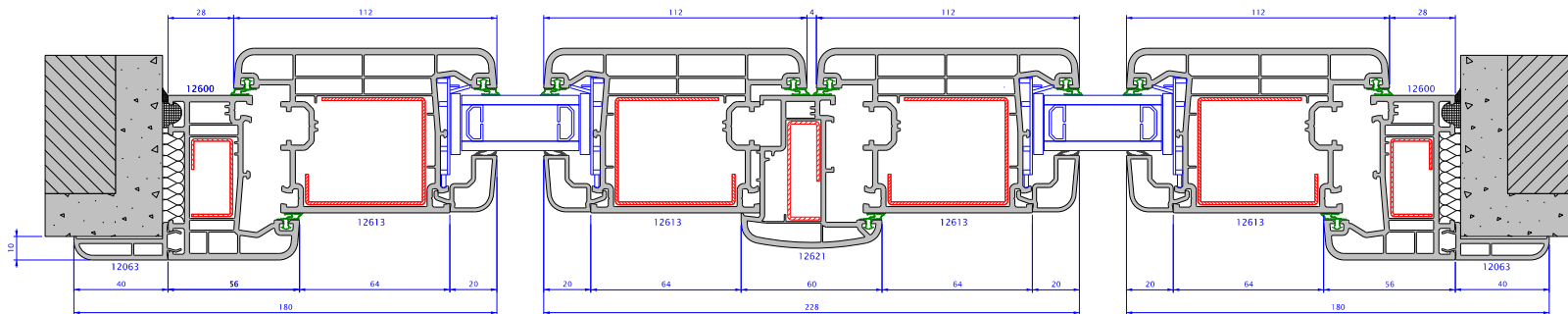




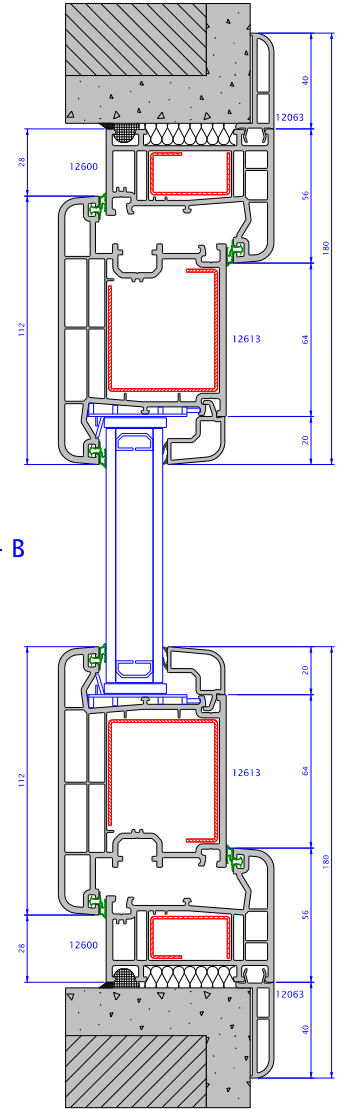


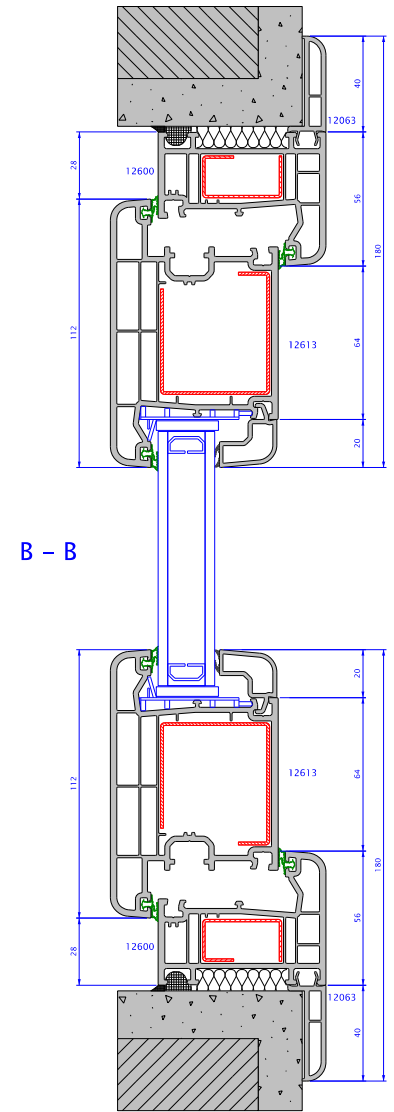
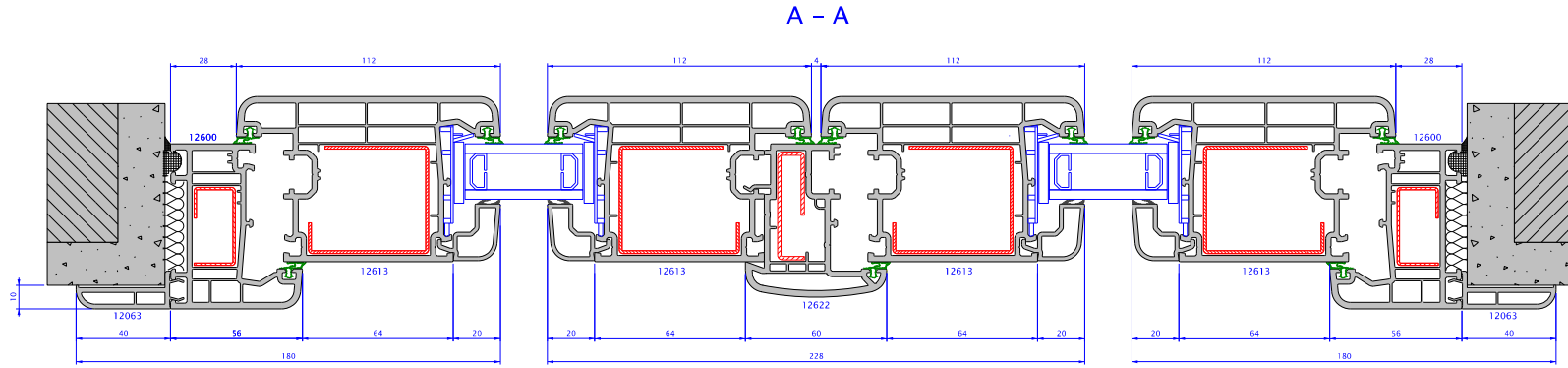
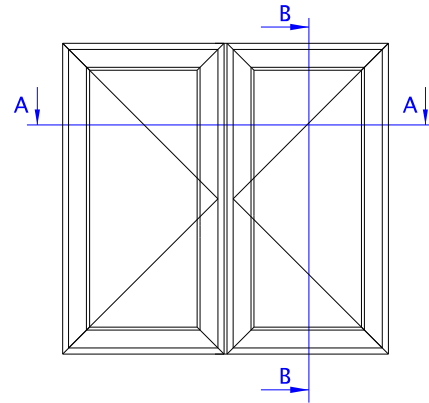


A - A

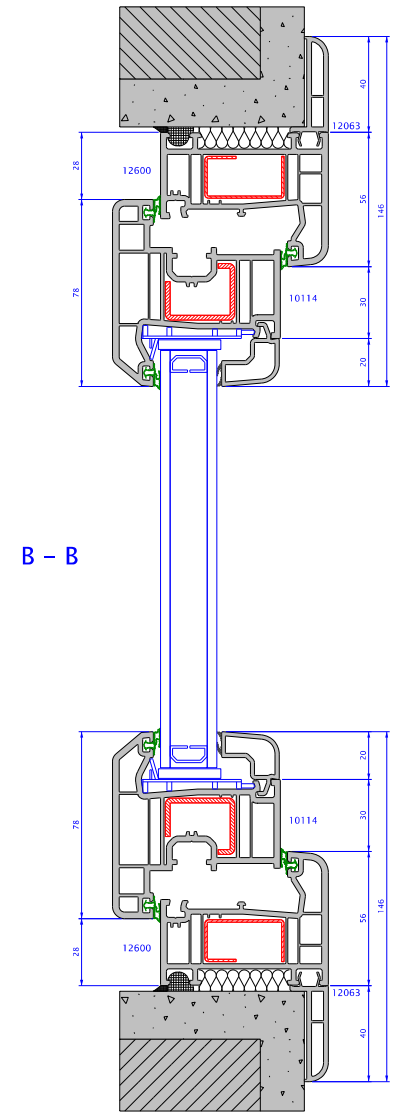
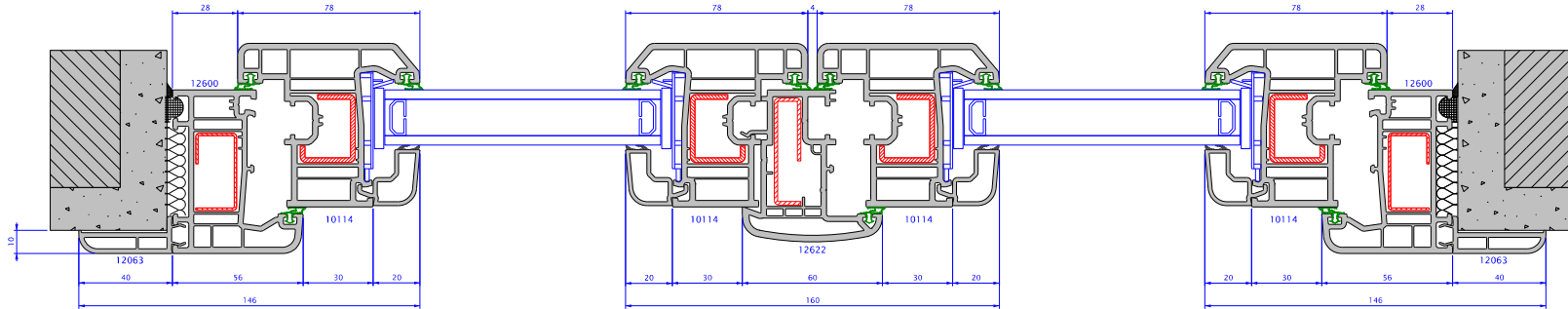
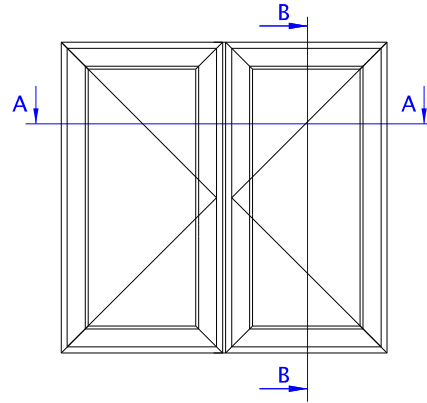


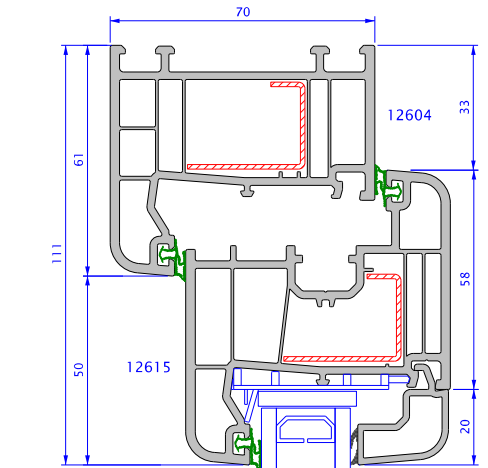
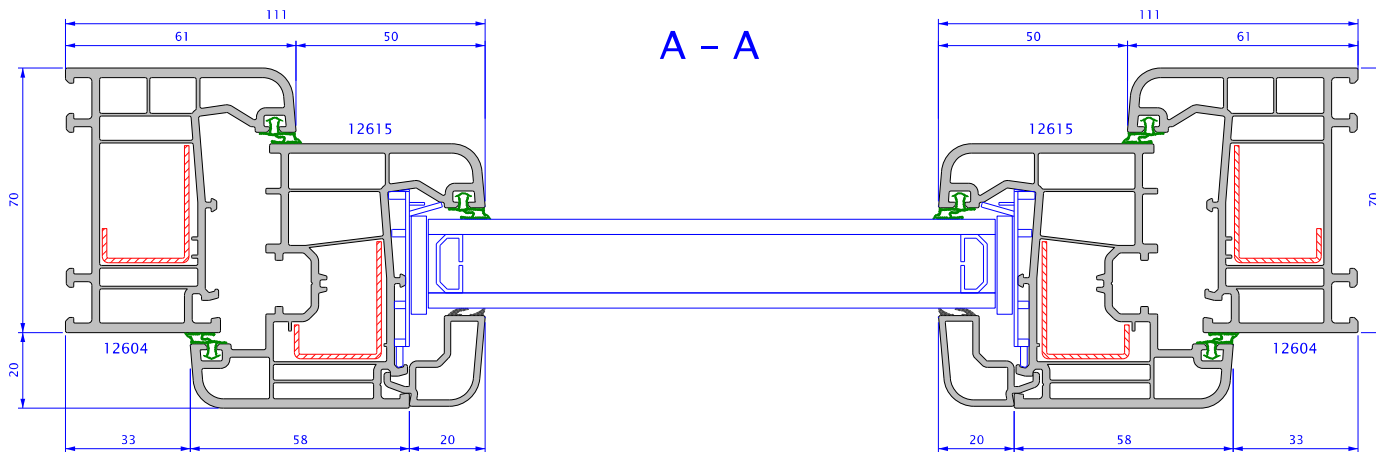
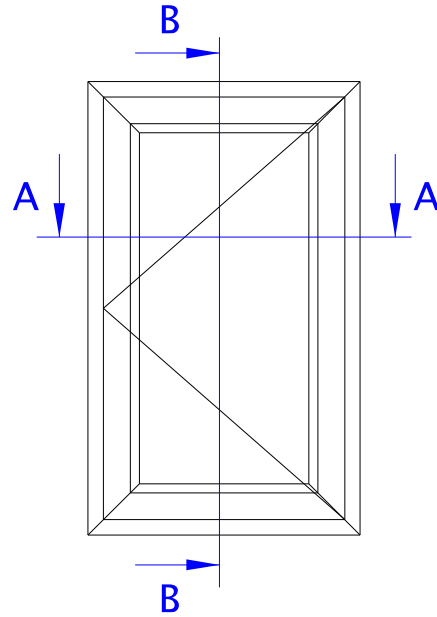
B - B



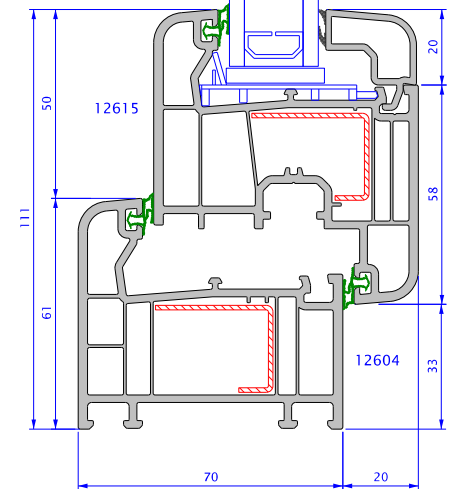


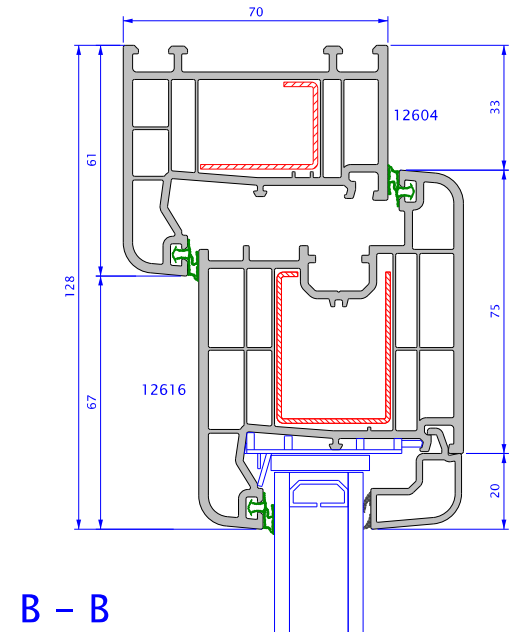
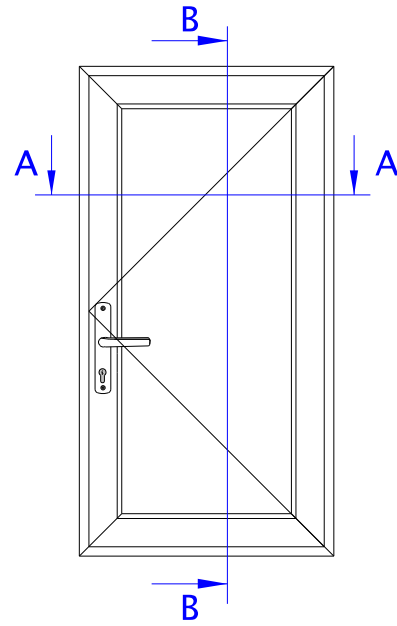
Technical documents are subject to change without notice.



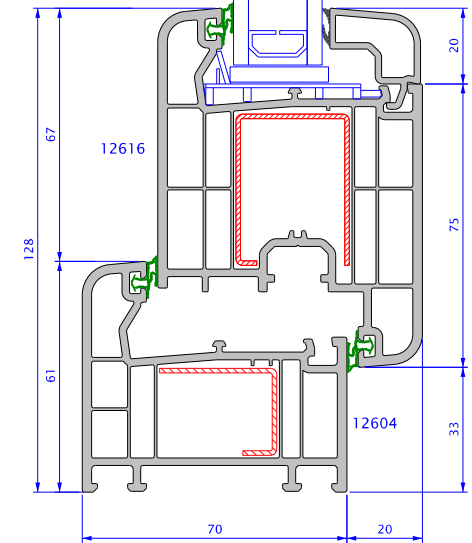


B - B

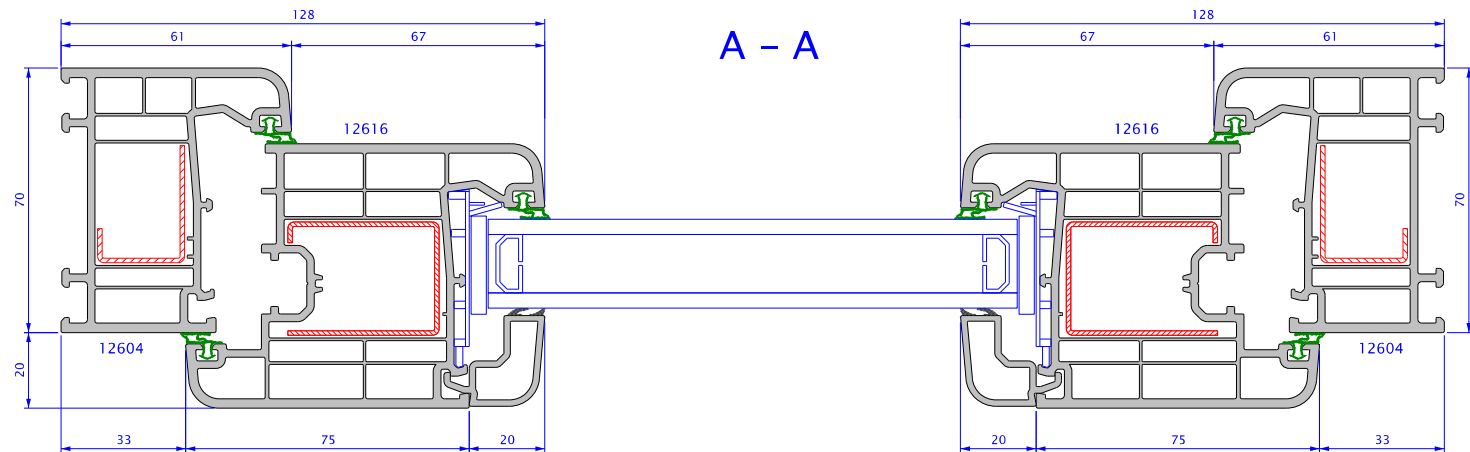


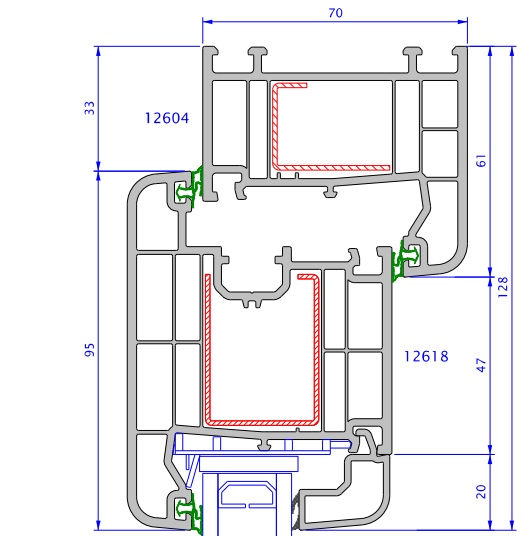
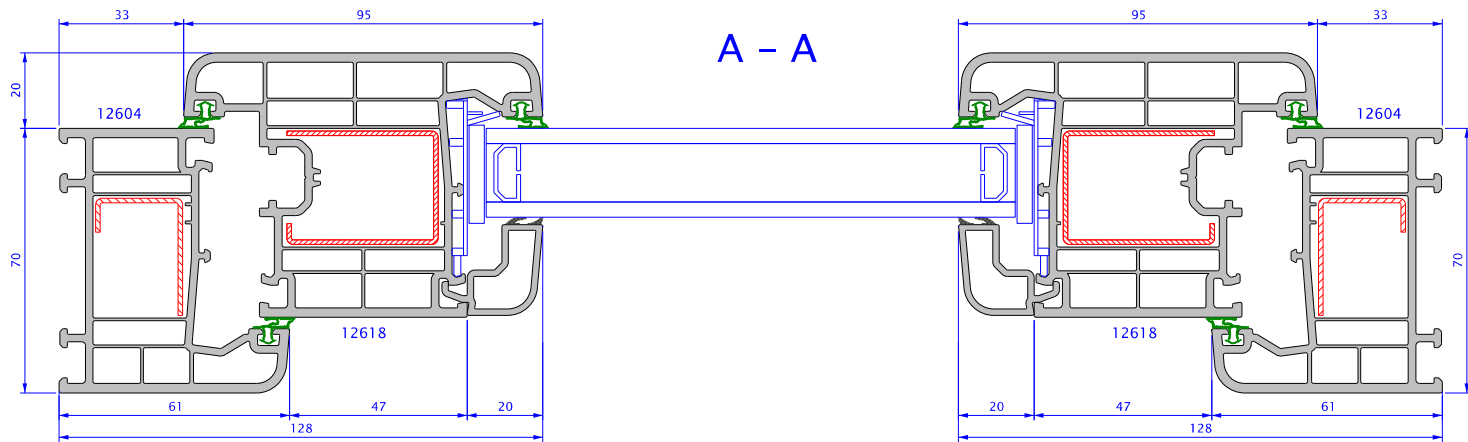
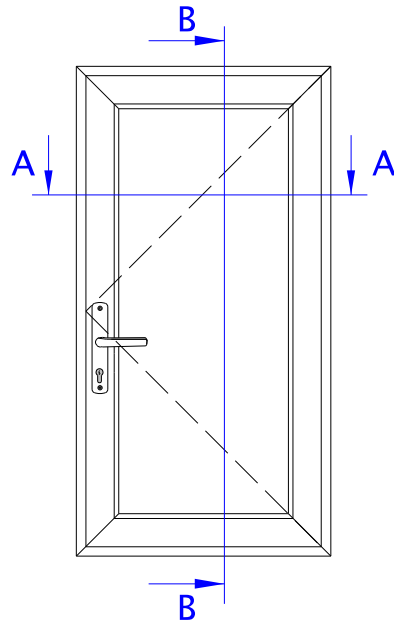


B - B

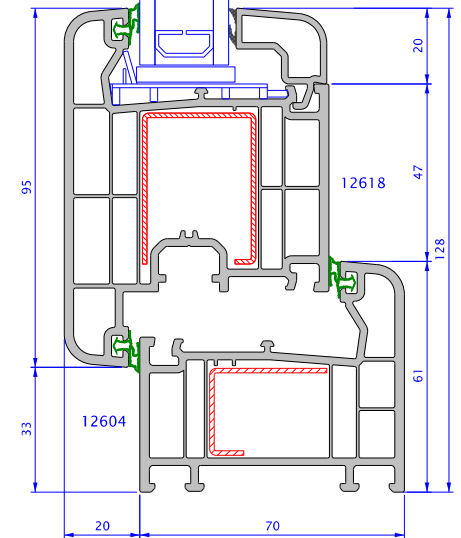


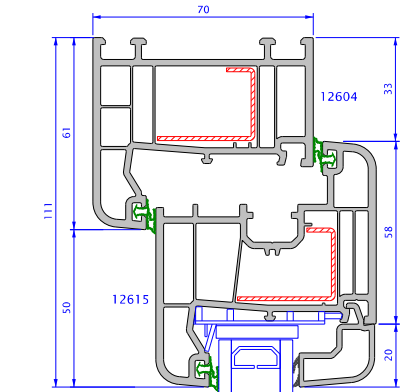
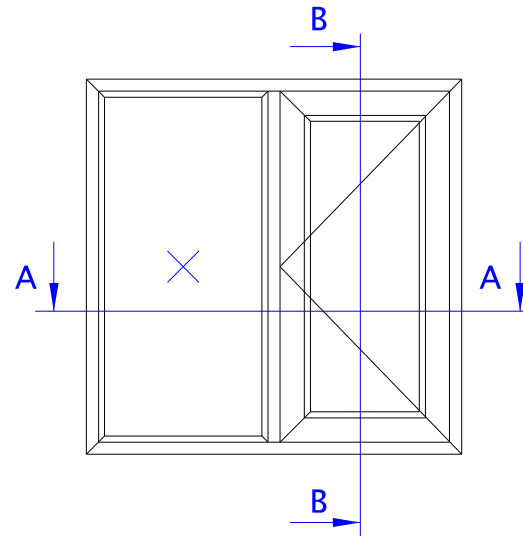
A - A



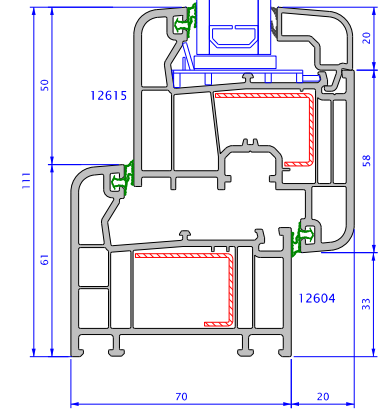


B - B

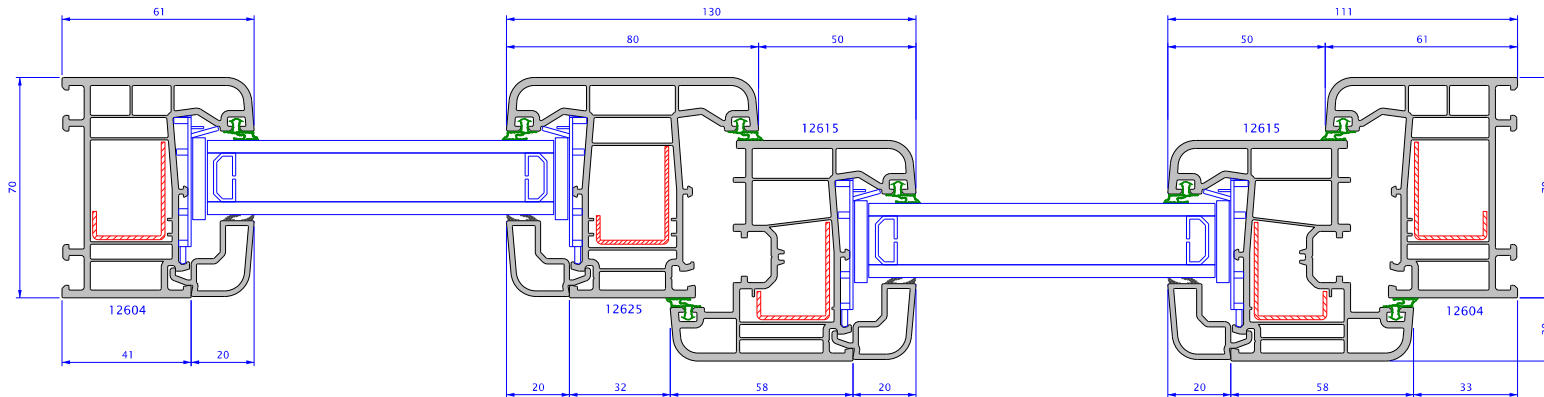


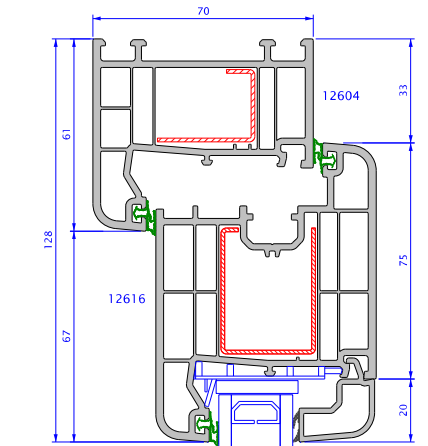
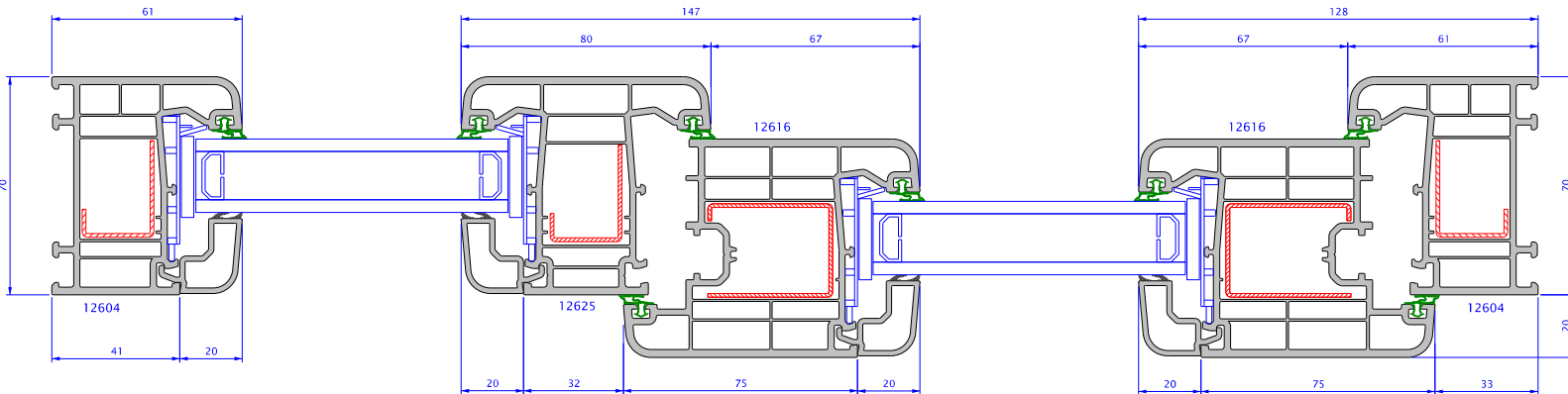
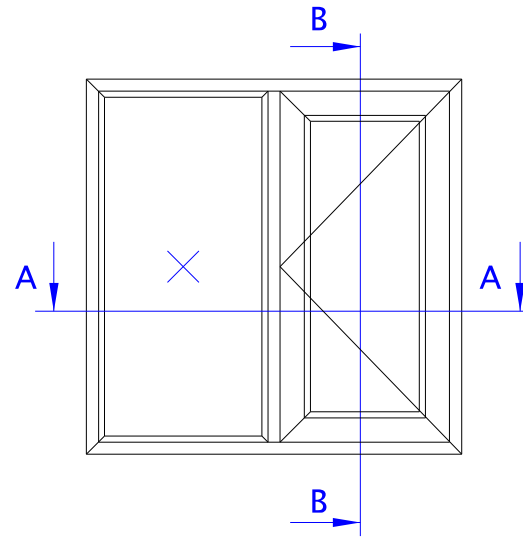


B - B

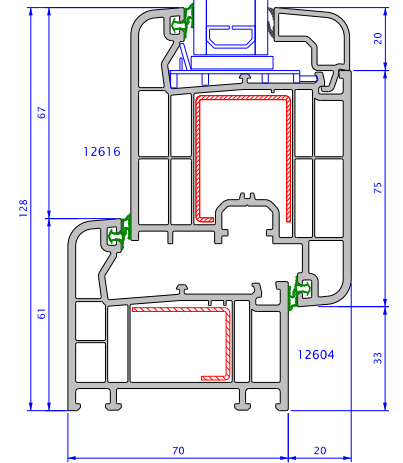


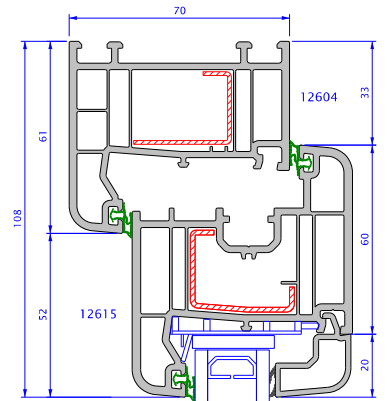
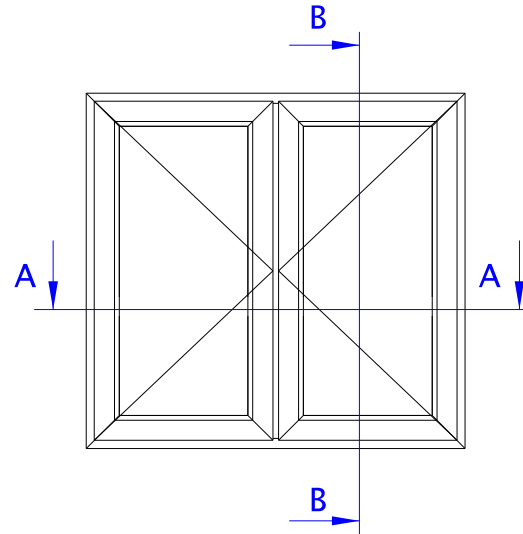
A - A





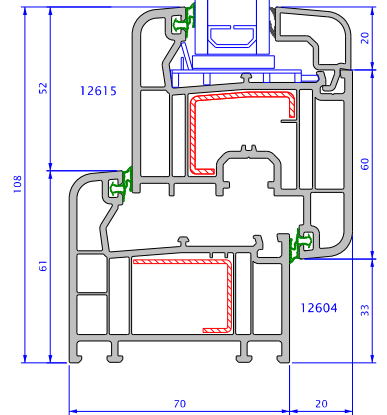
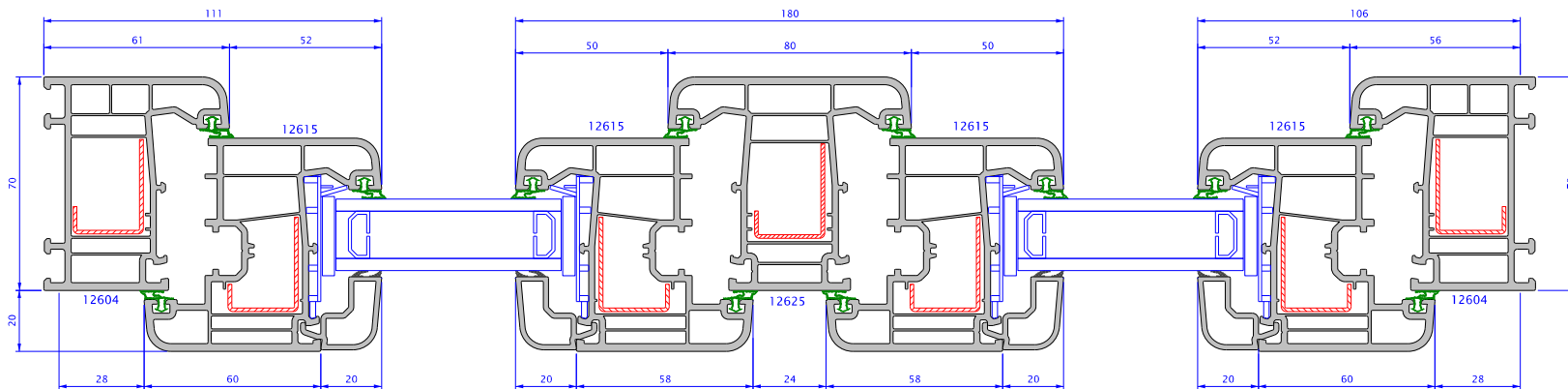
B - B

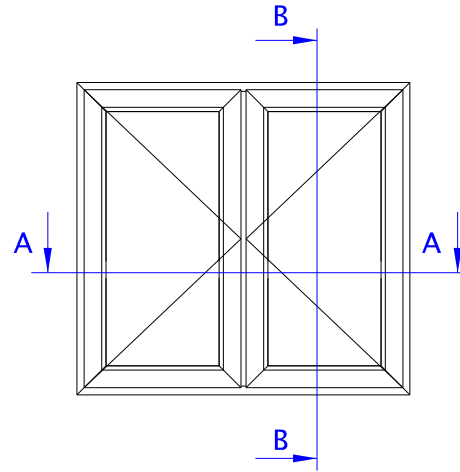




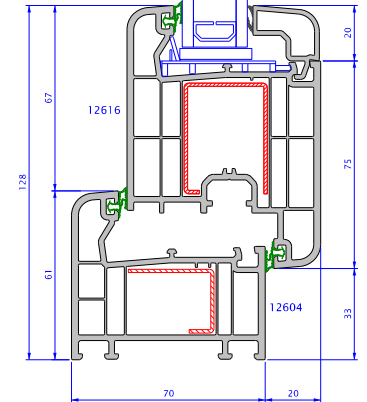
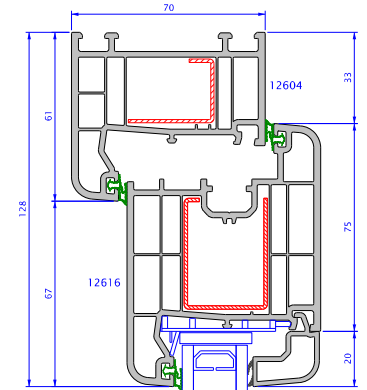
B - B

A - A

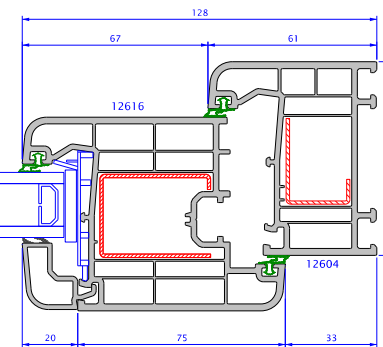
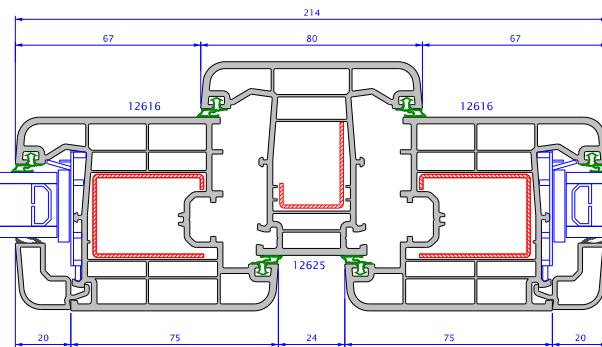
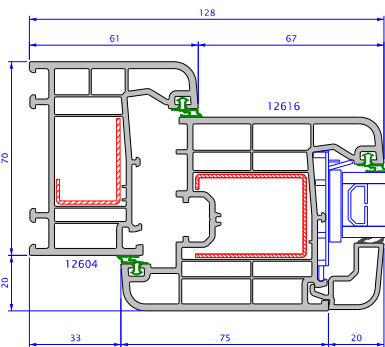


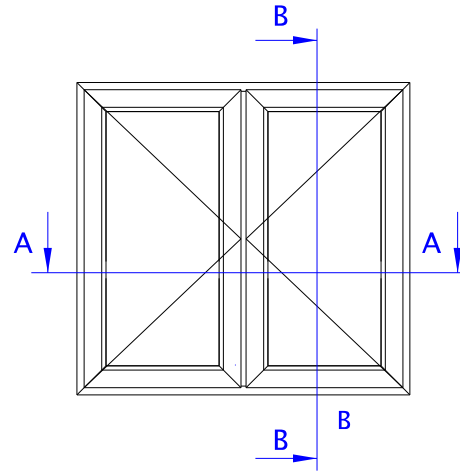


B - B

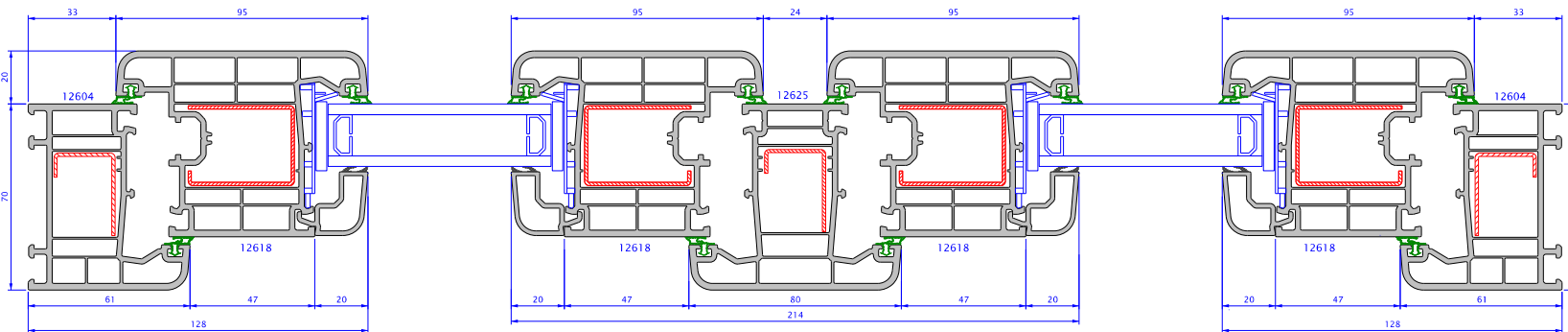


A - A

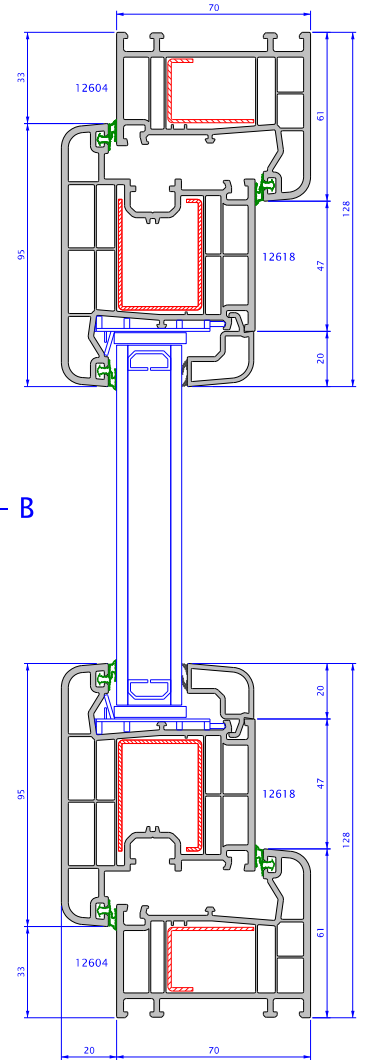


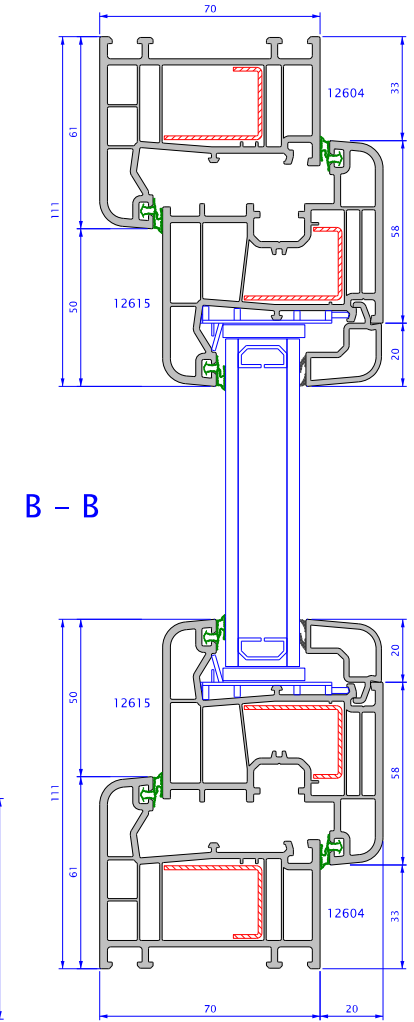
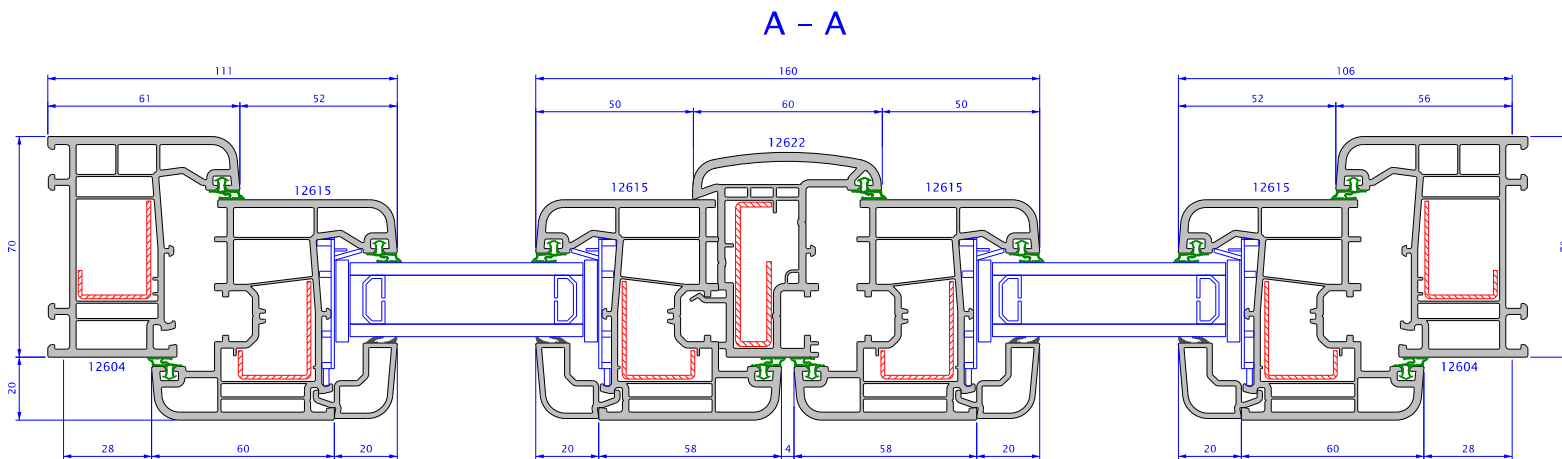
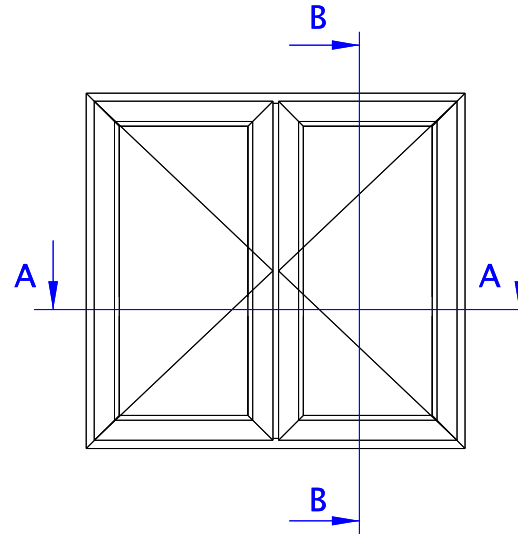


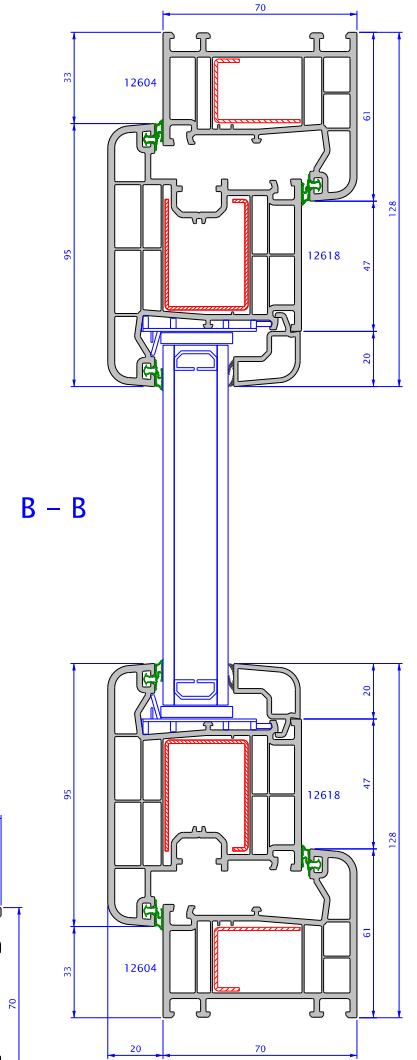
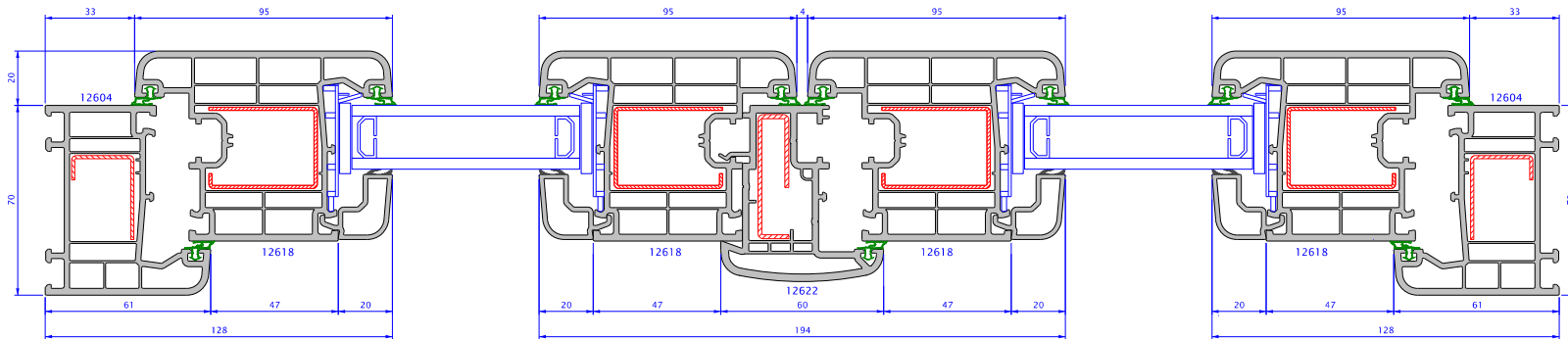
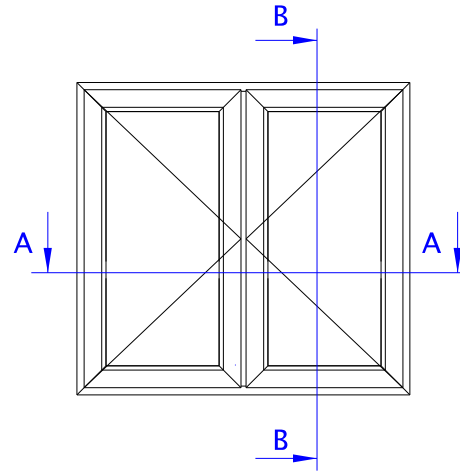
A - A

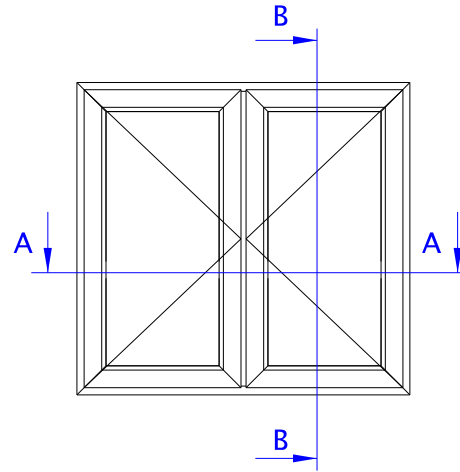


B - B

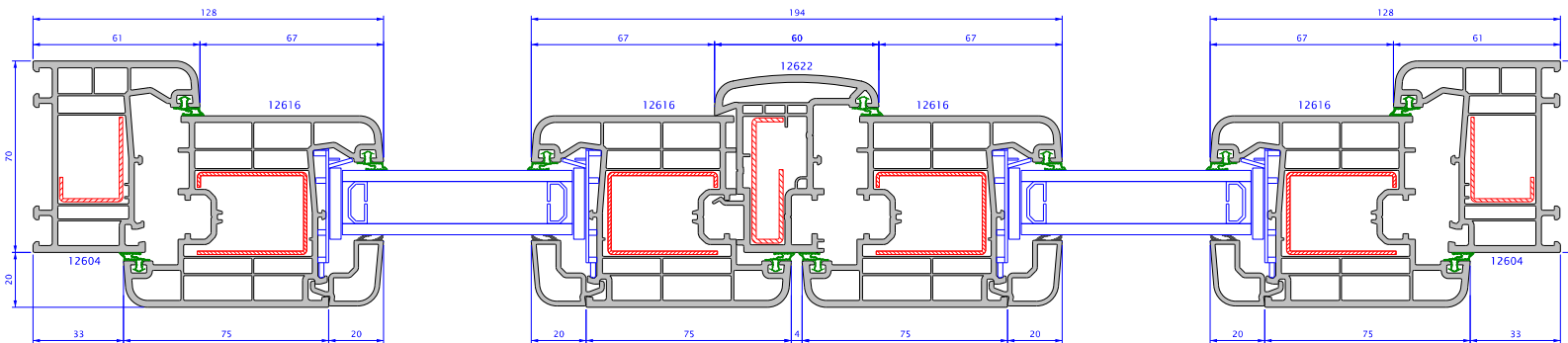




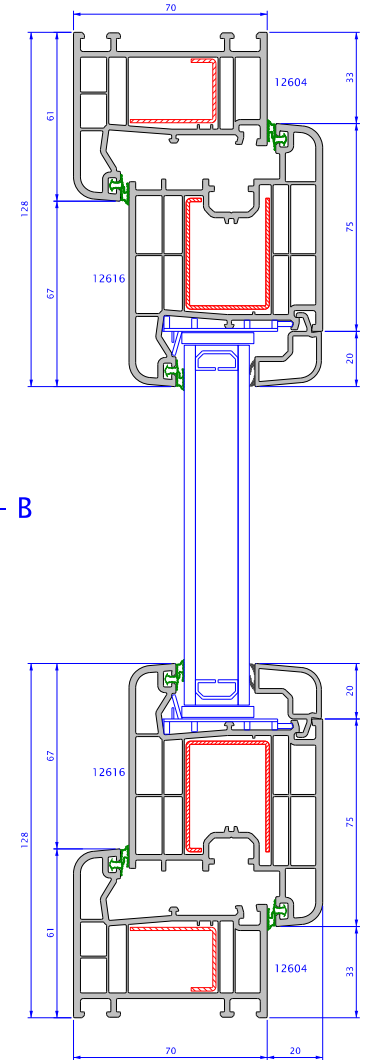


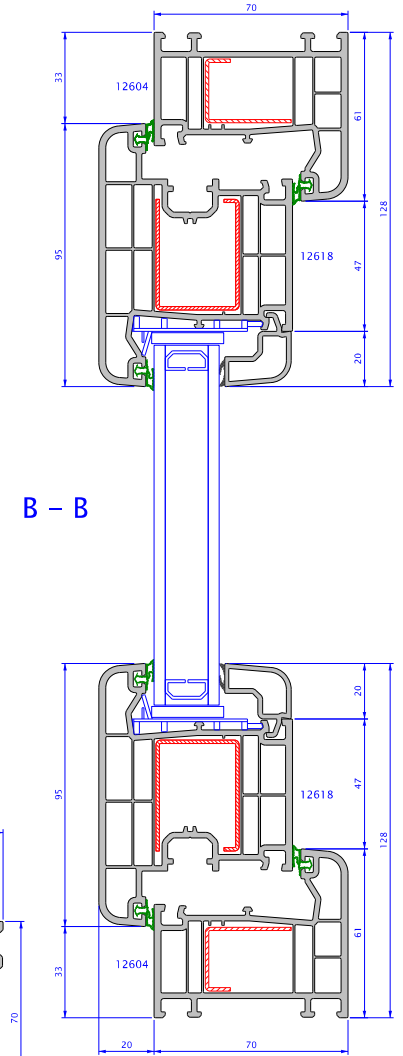
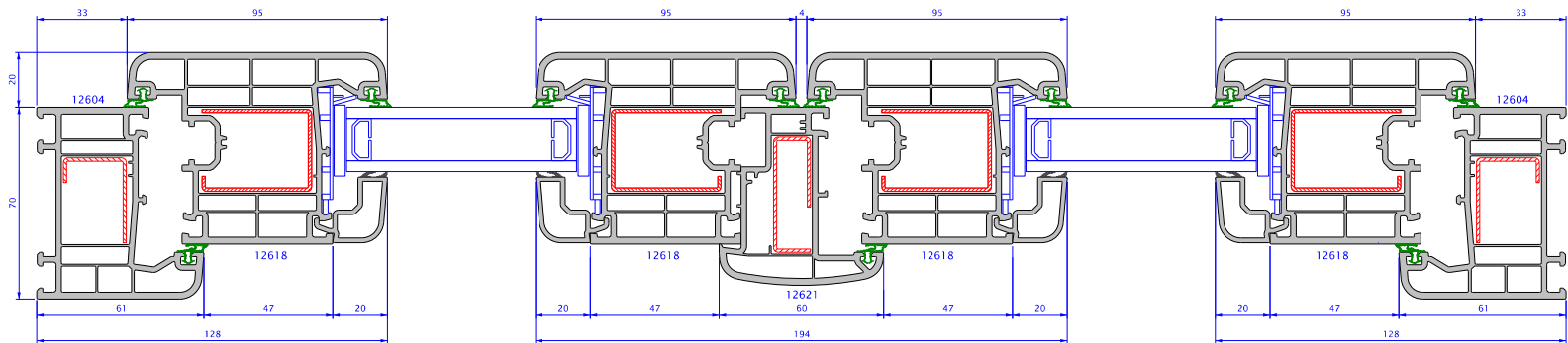
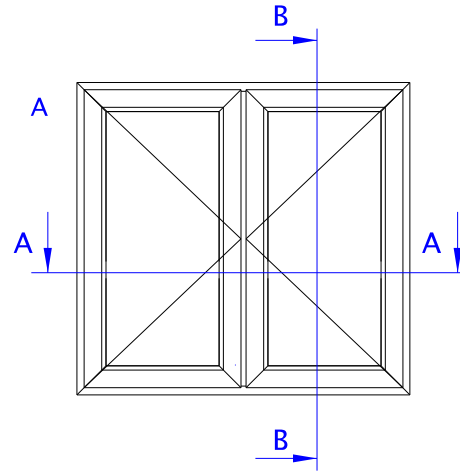


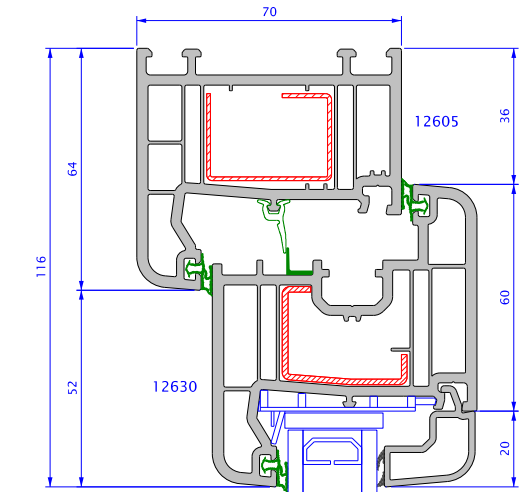
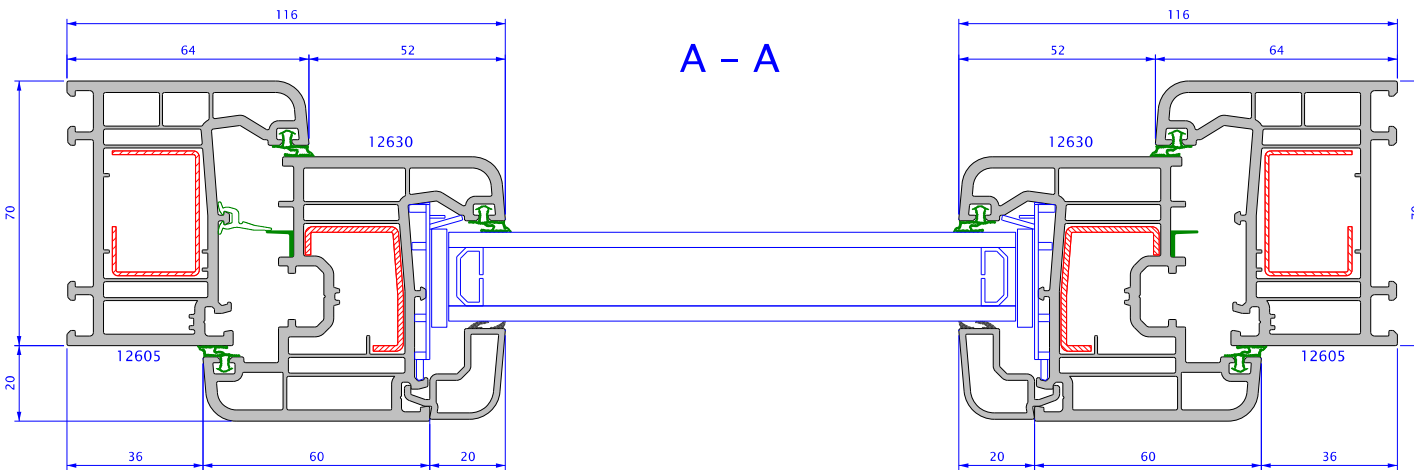
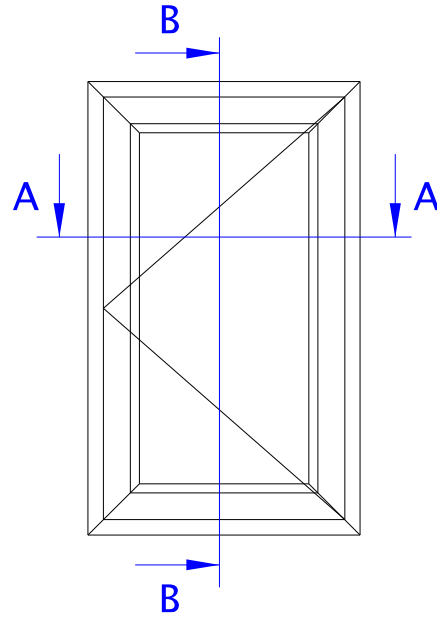
A - A



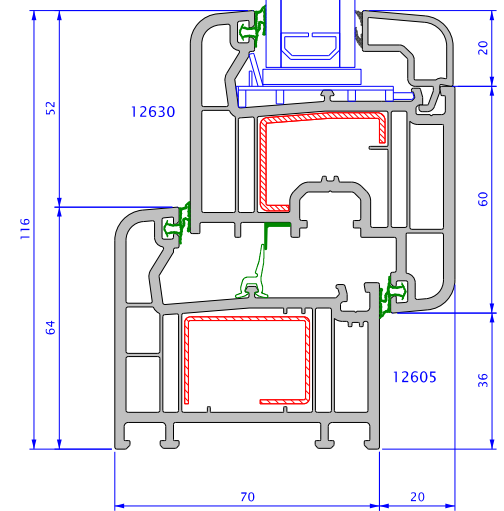
B - B

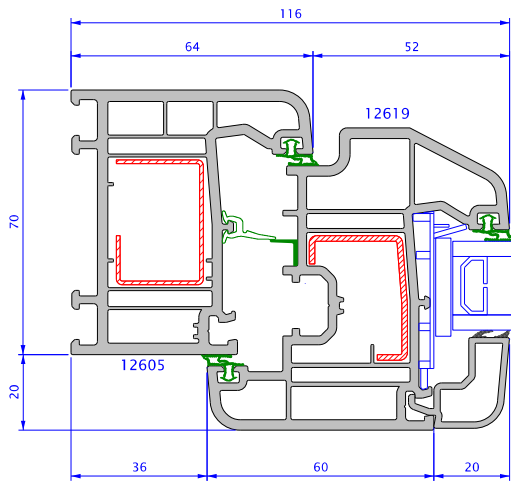
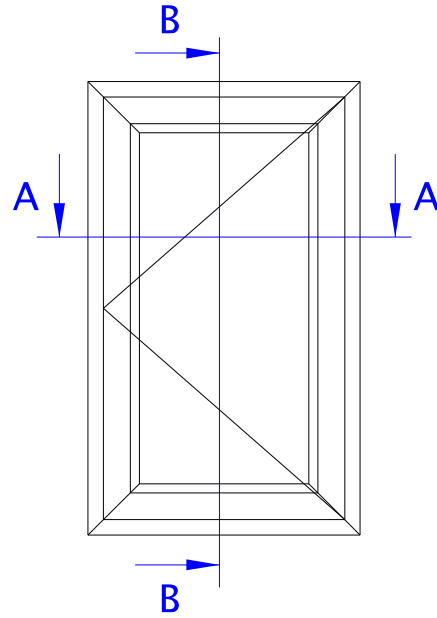




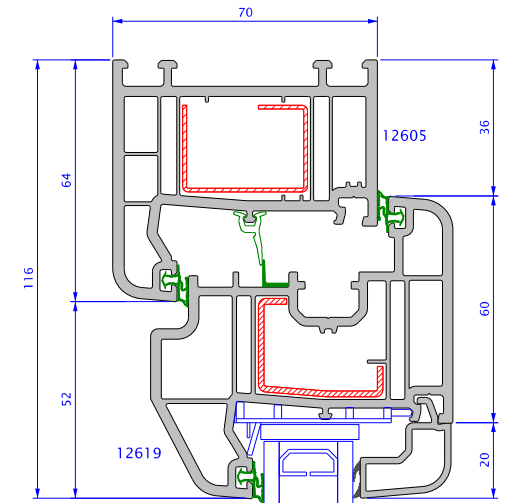
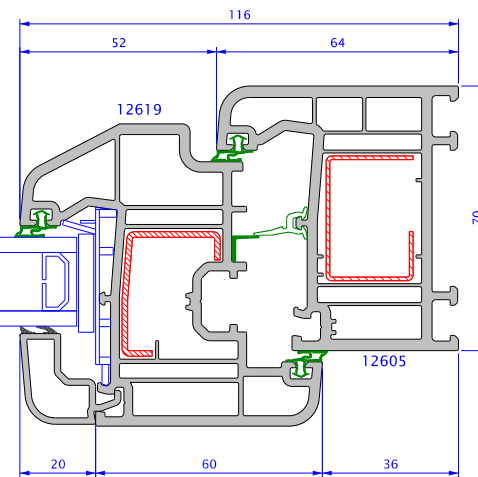


B - B

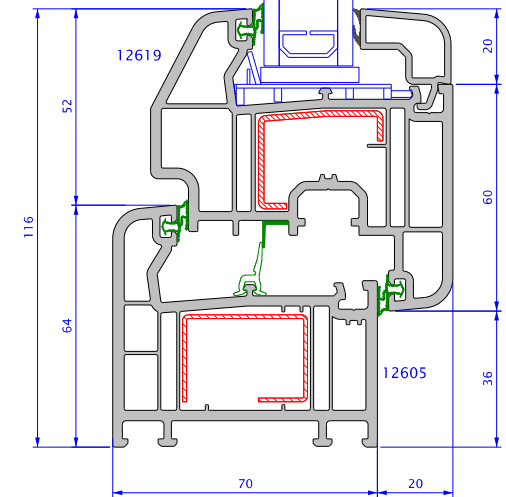


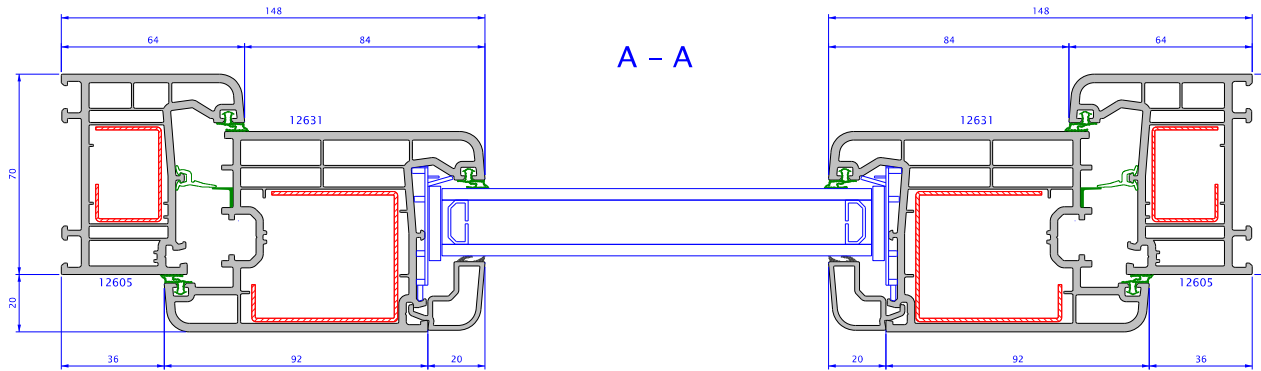
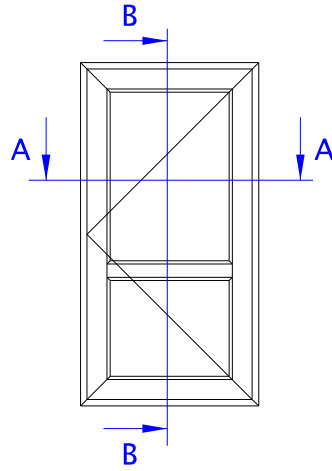


A - A

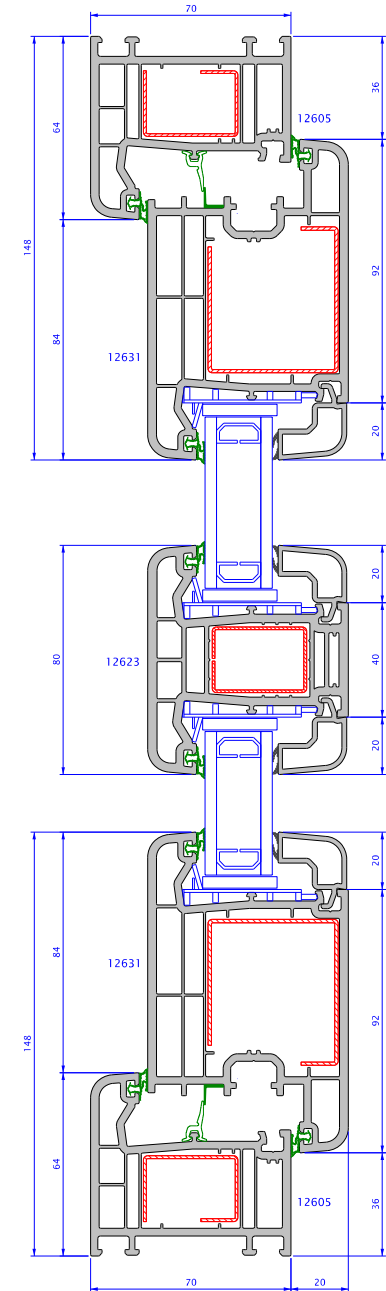


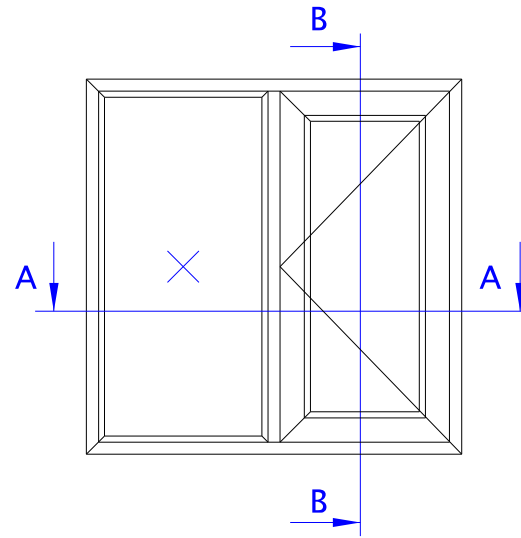
B - B



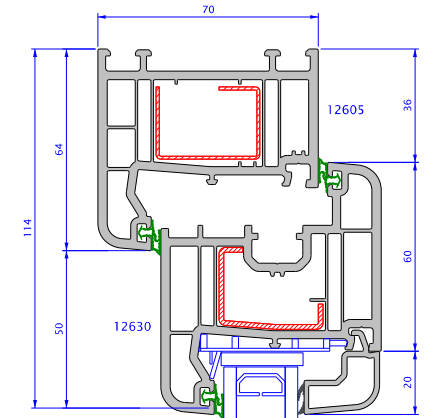
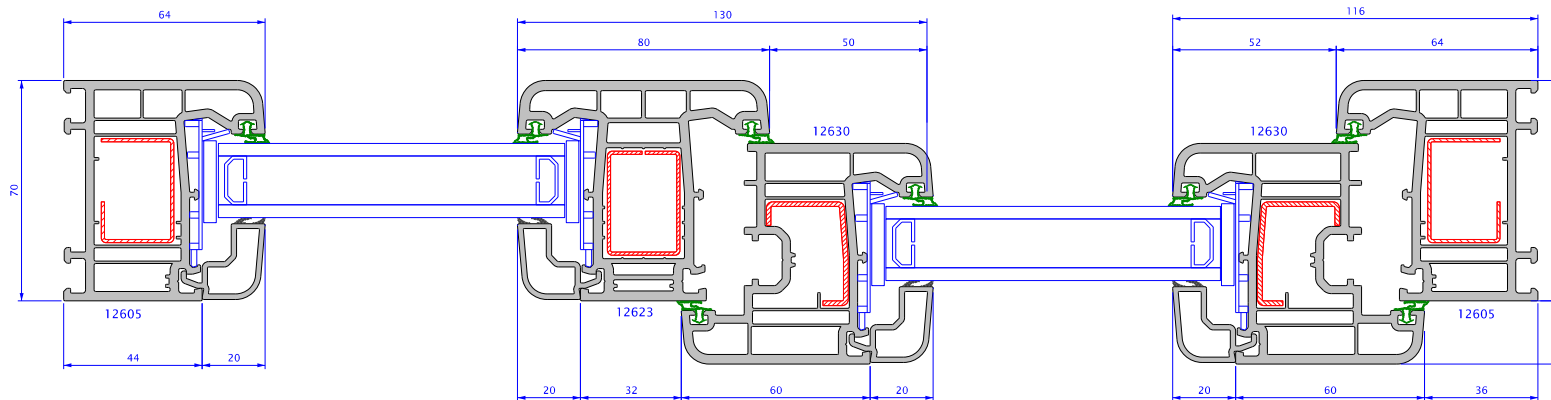


B - B

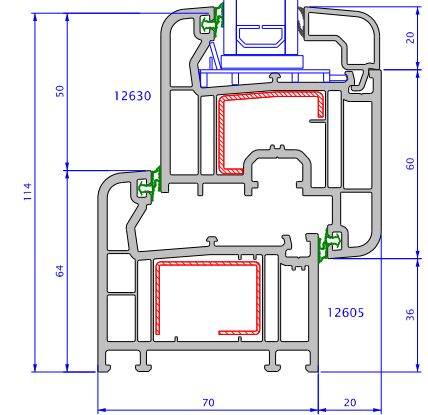


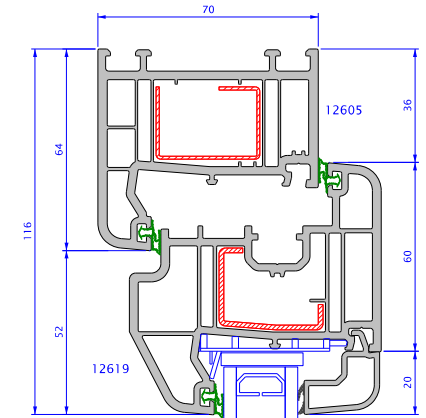
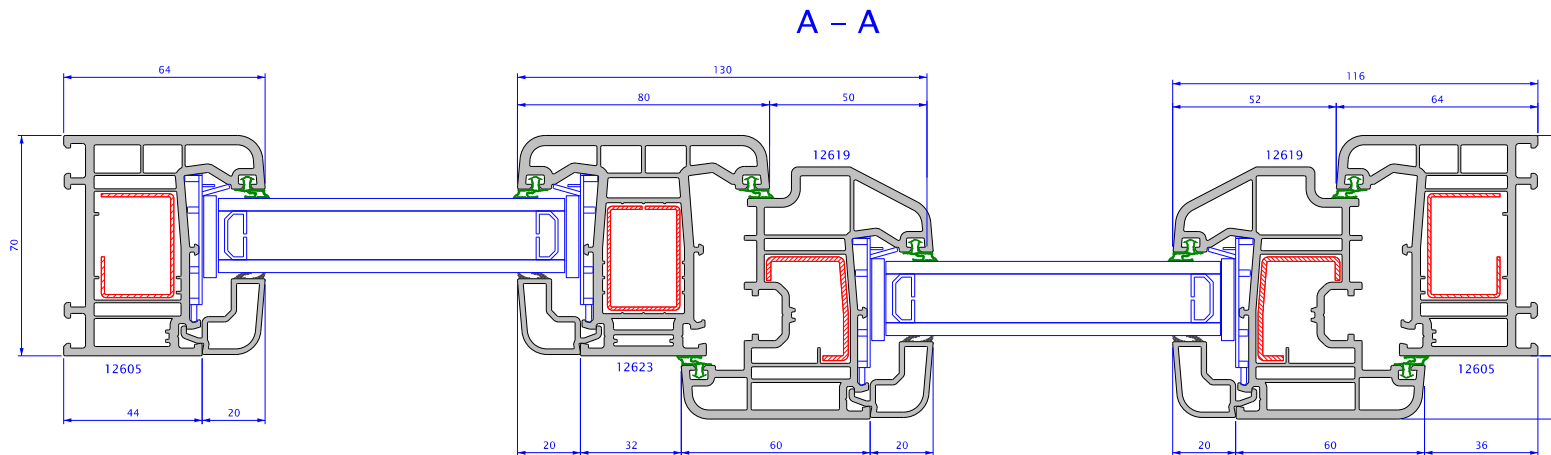
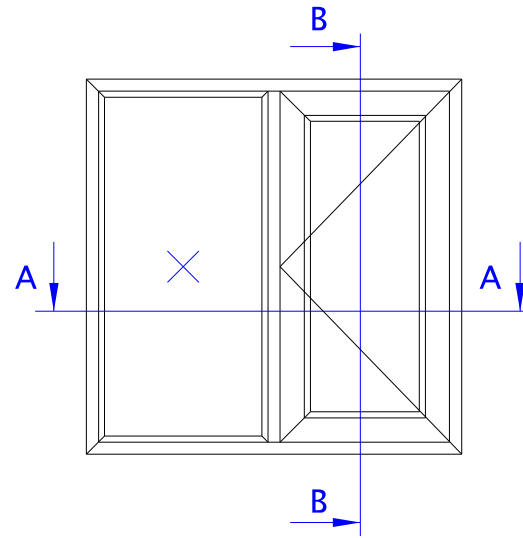


A - A

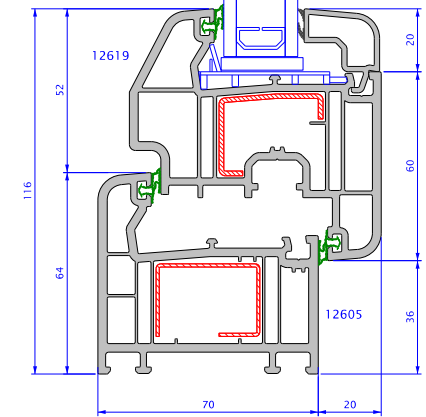


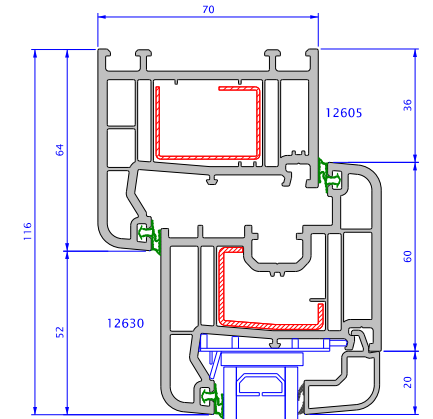
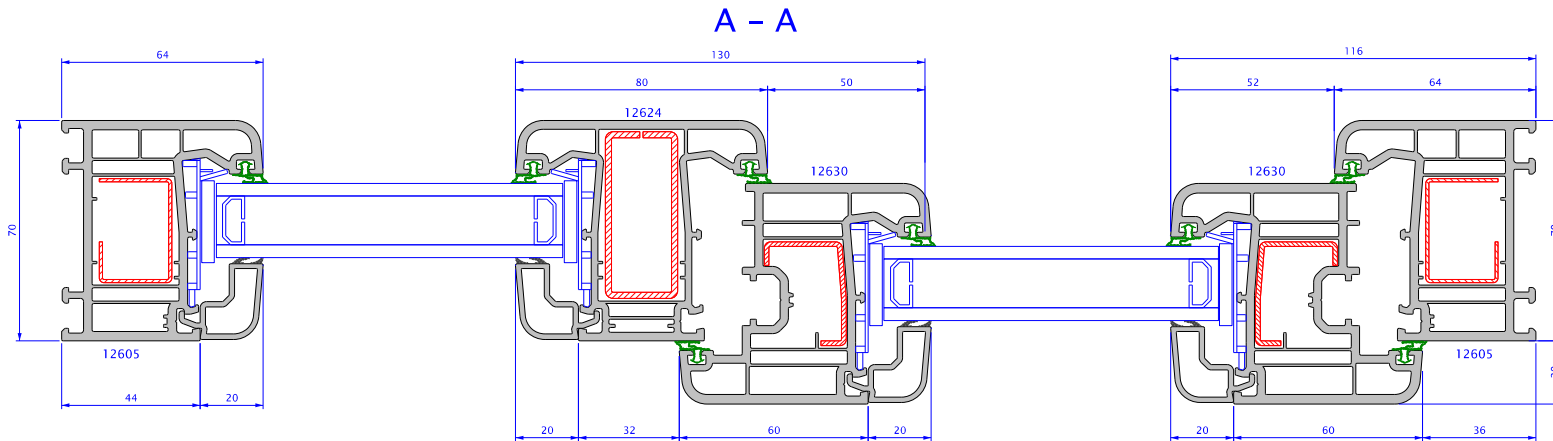
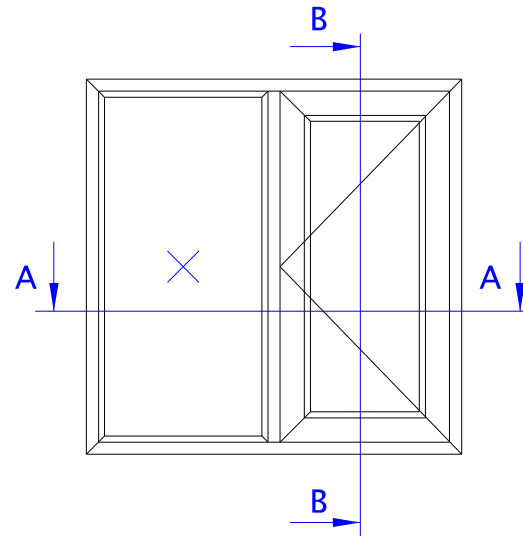
B - B



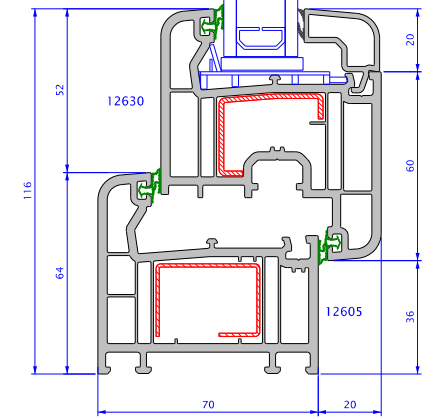


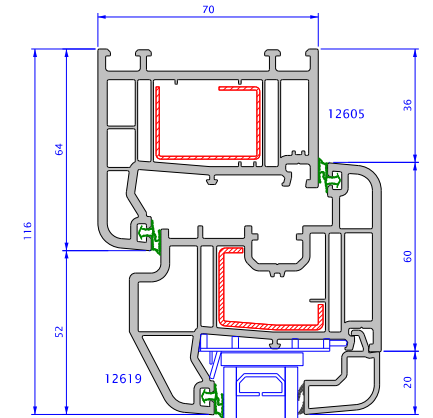
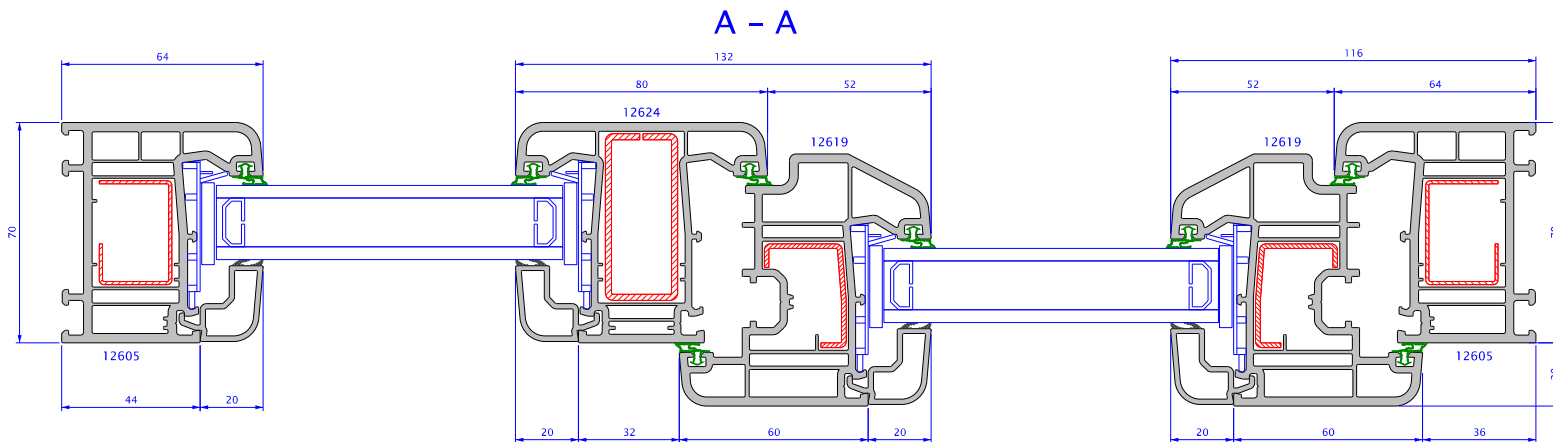
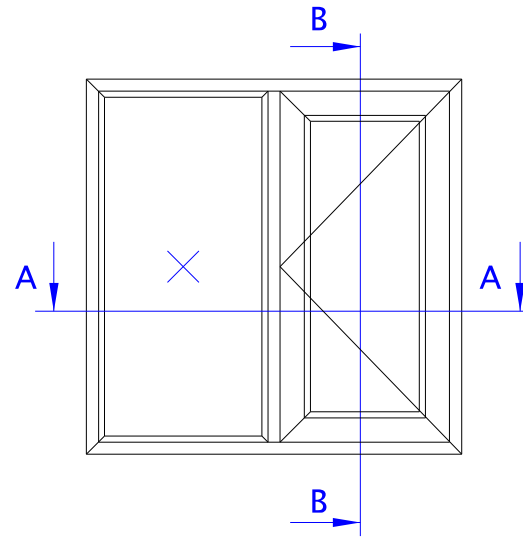
B - B



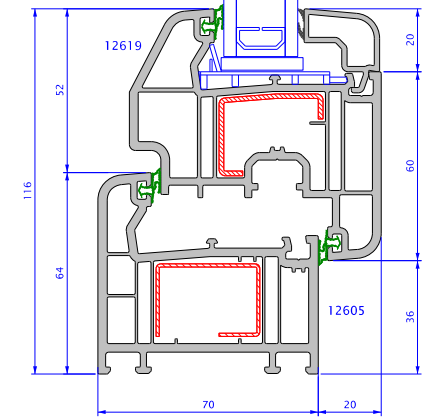


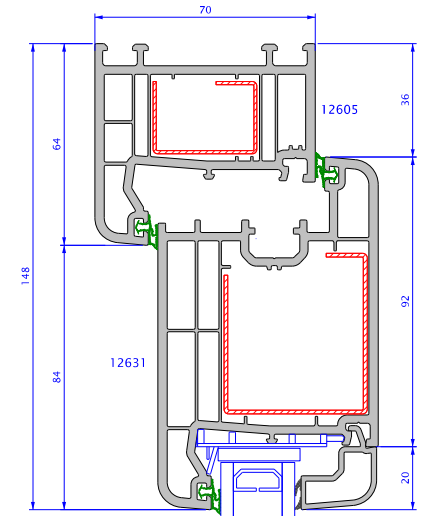
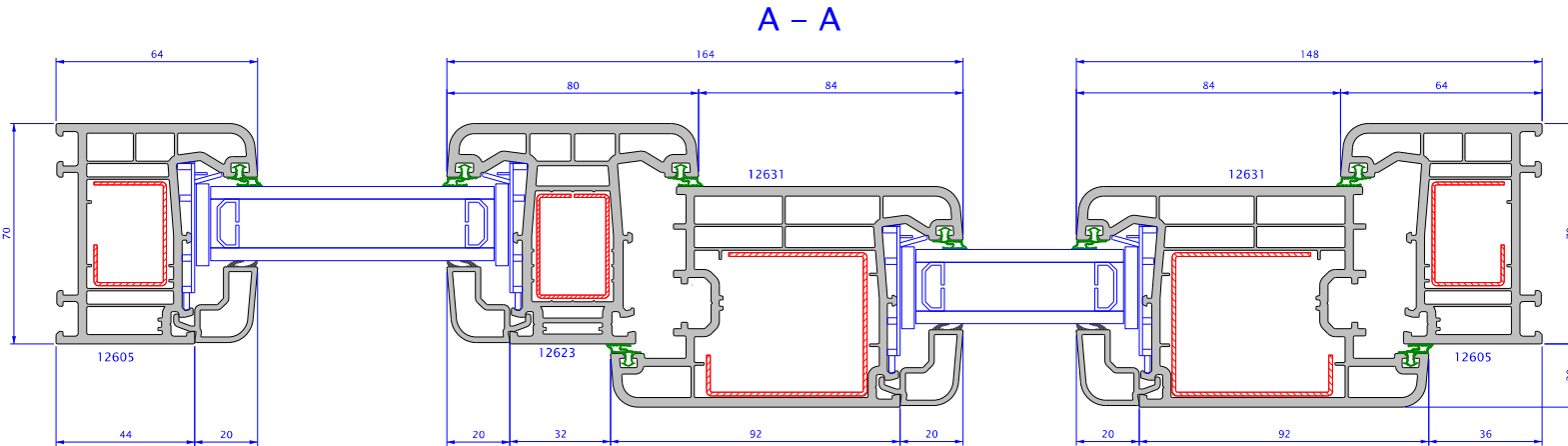
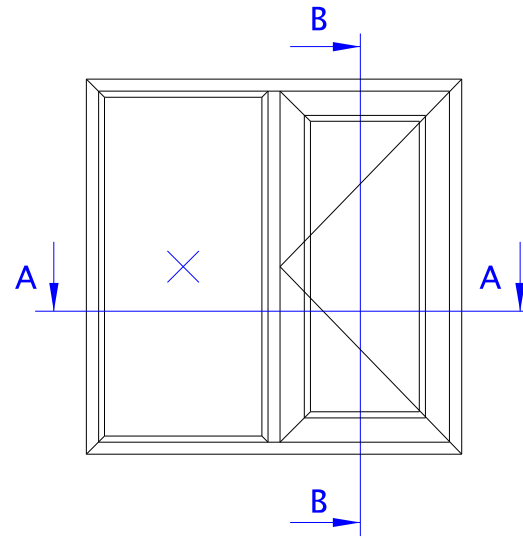
B - B



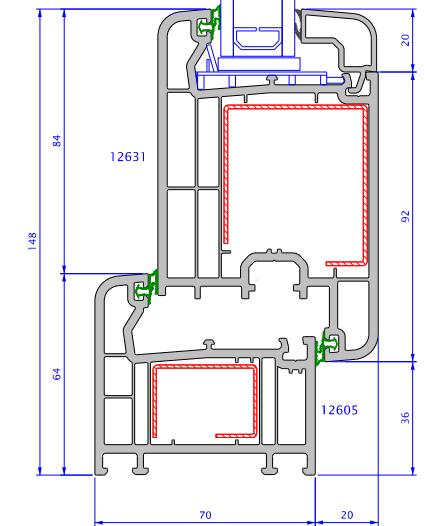


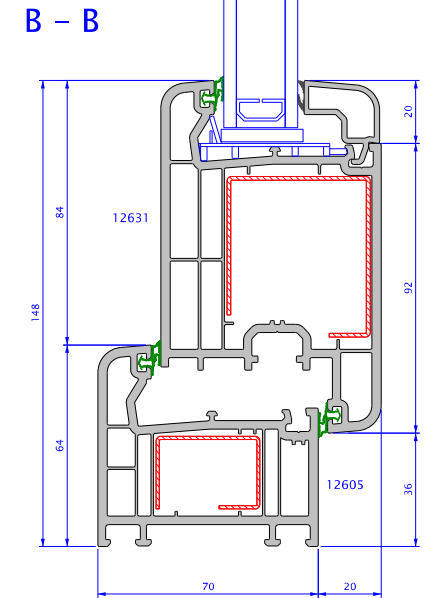
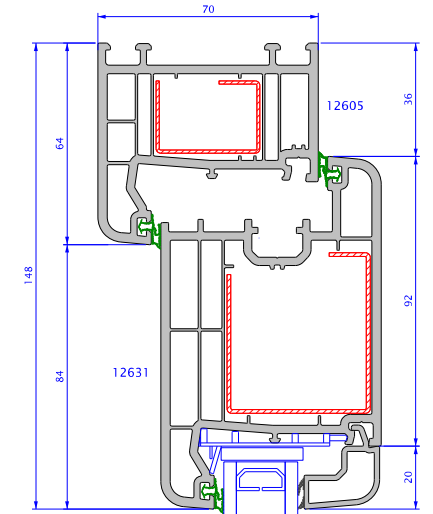
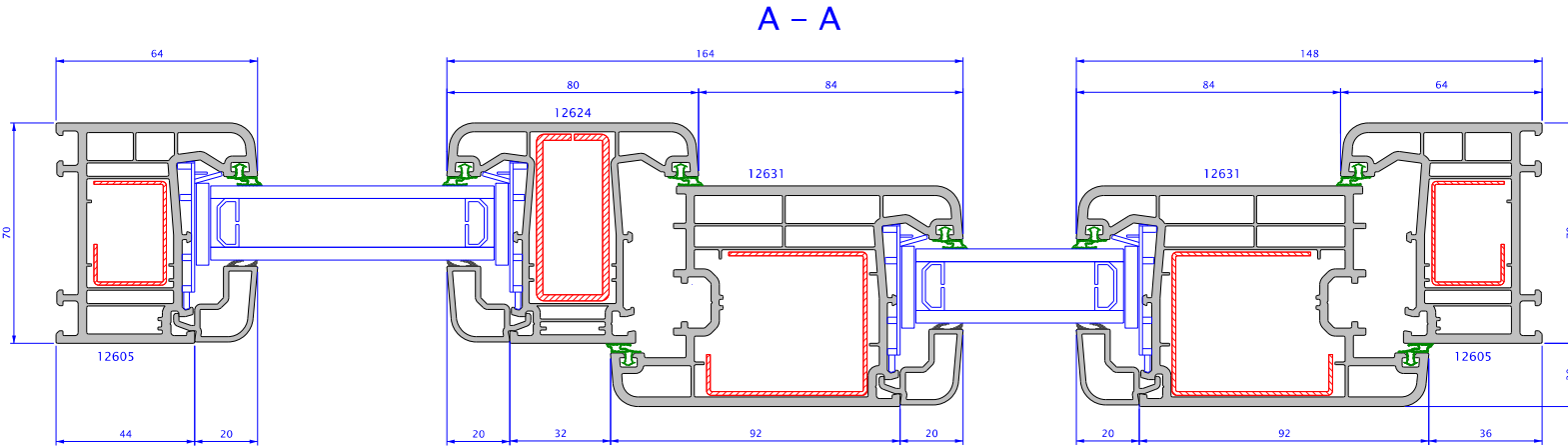
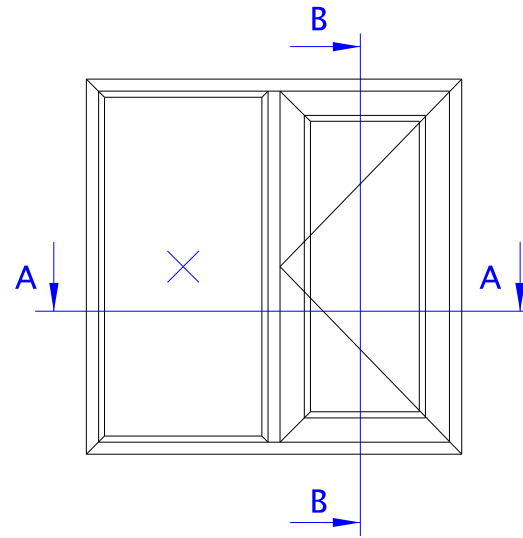
B - B

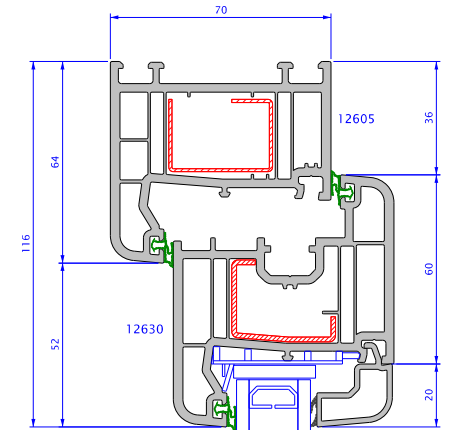
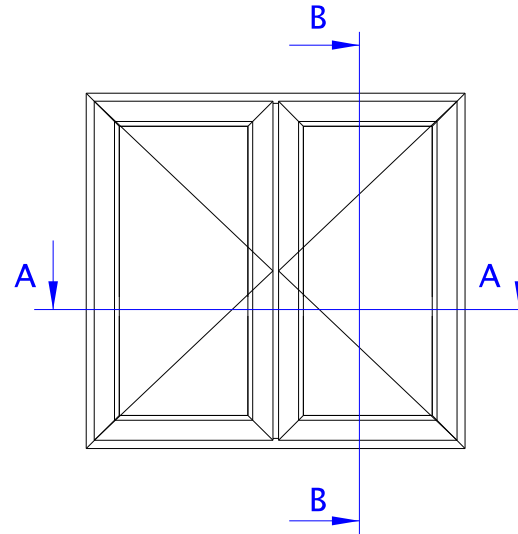




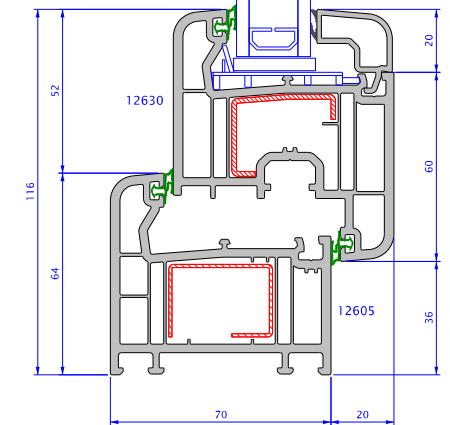
B - B



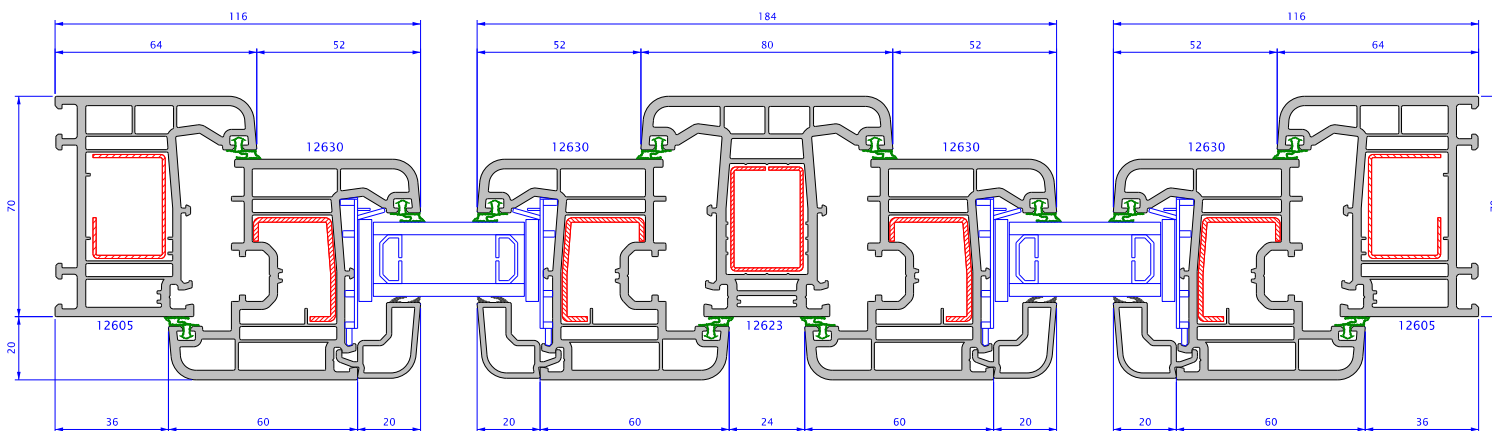


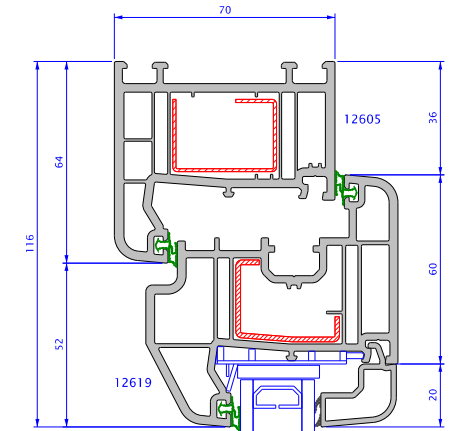
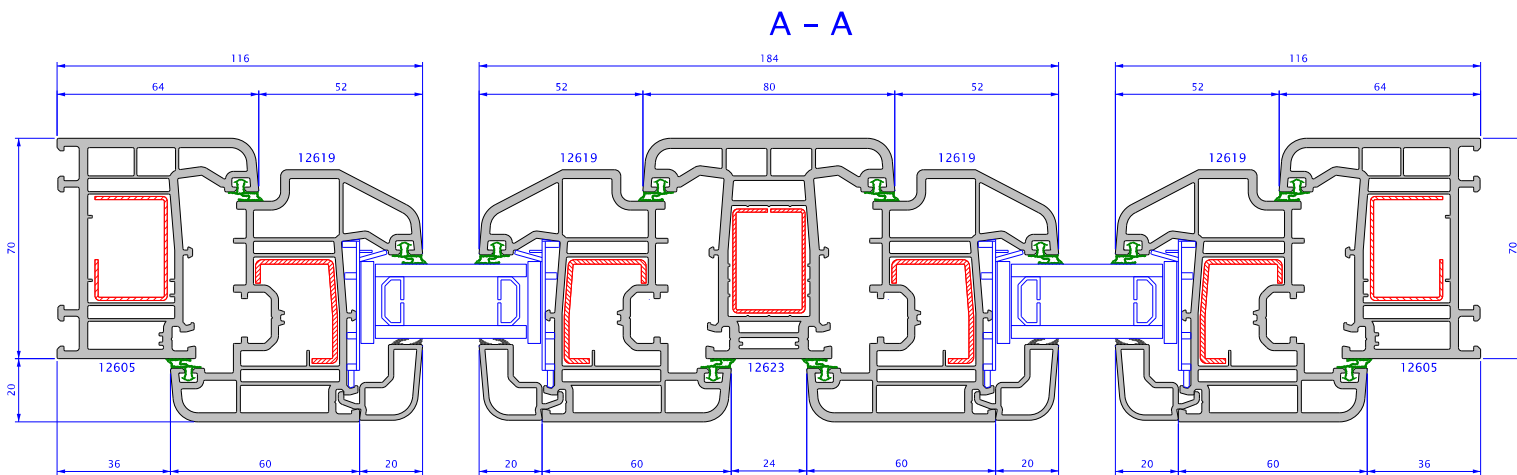
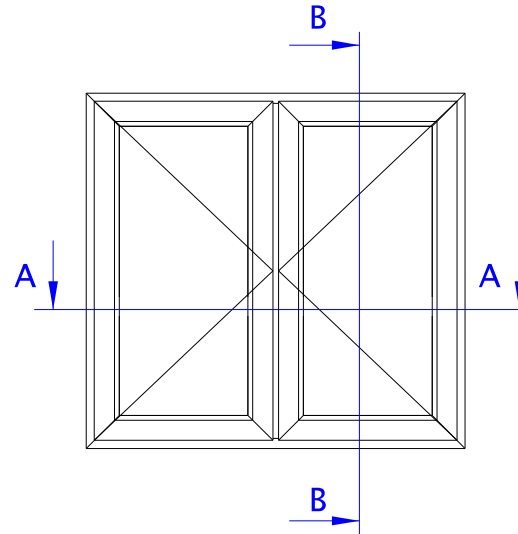


B - B

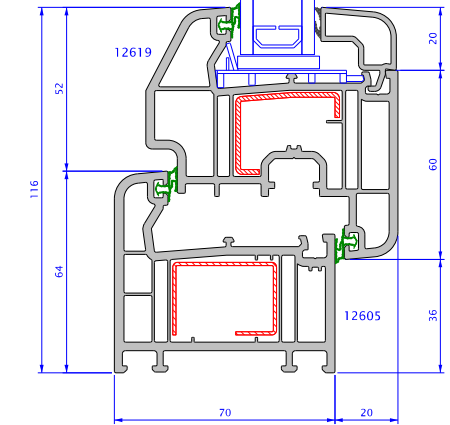


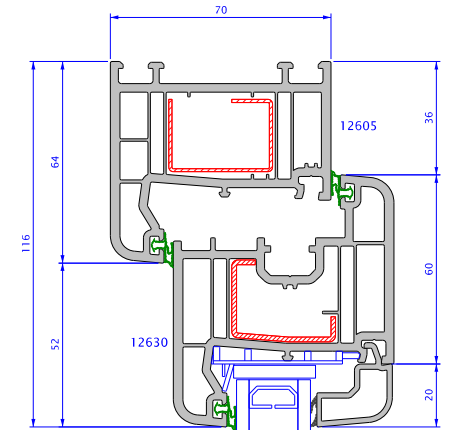
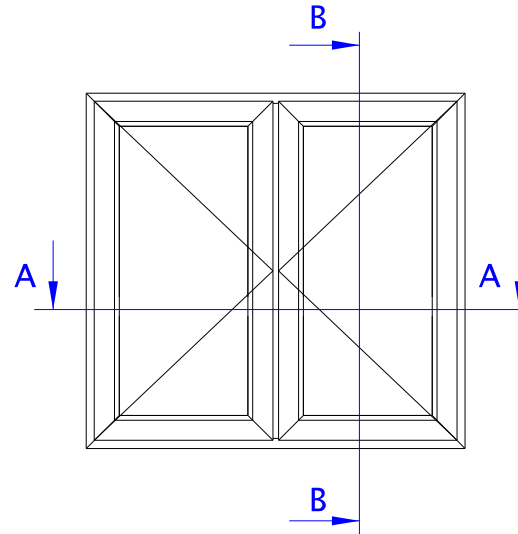
A - A



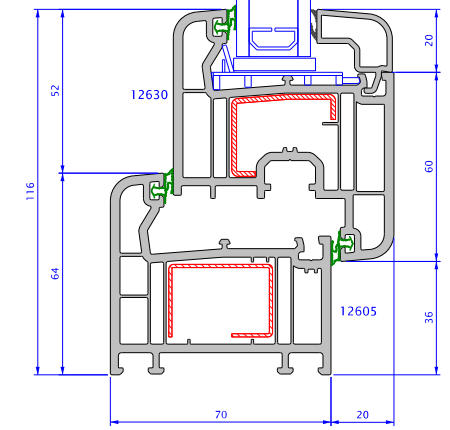


B - B

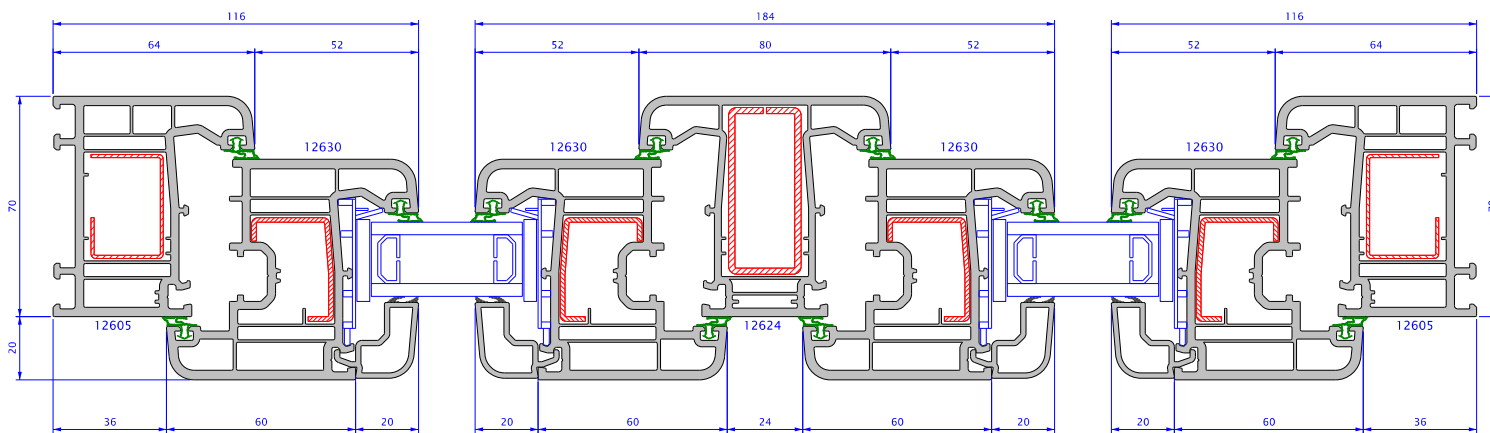


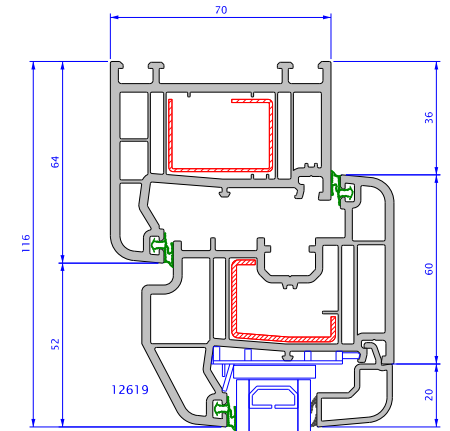
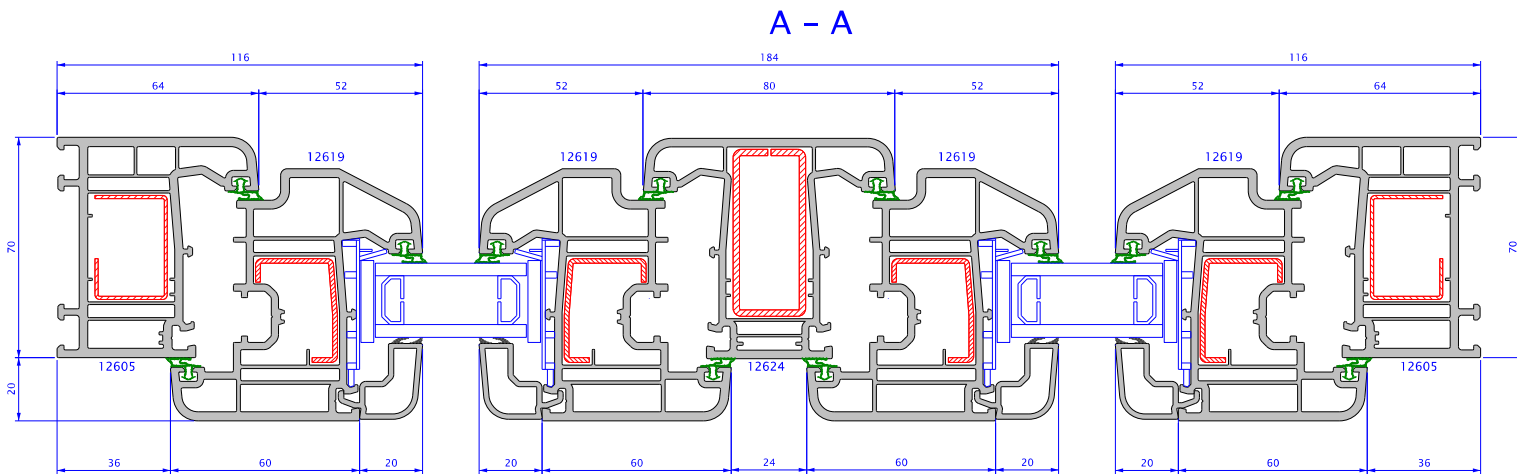
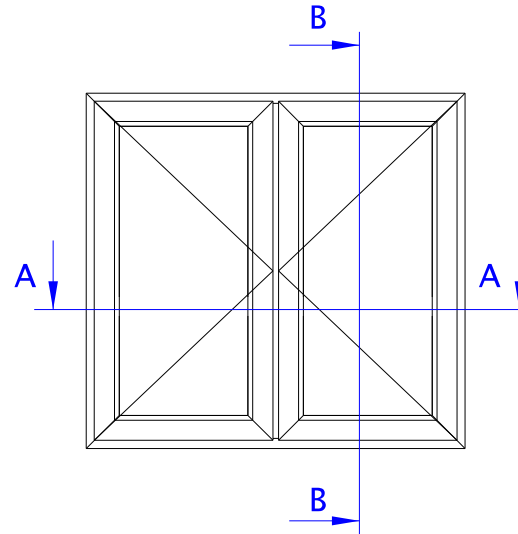


B - B

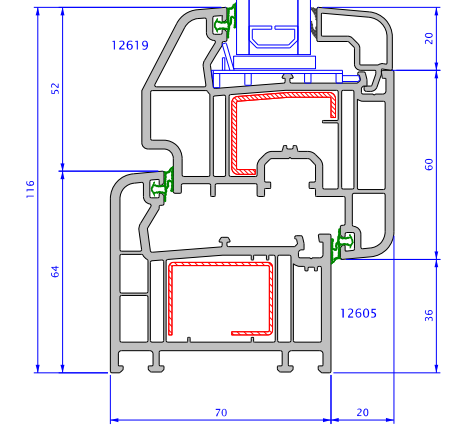


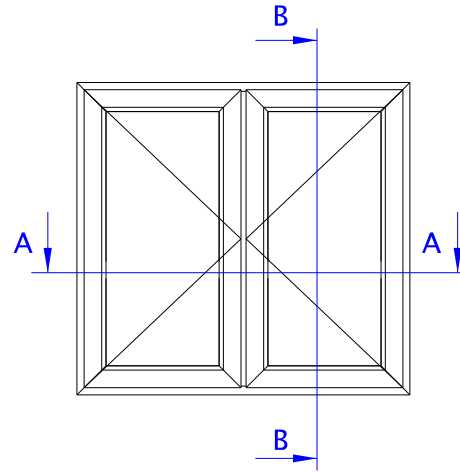
A - A



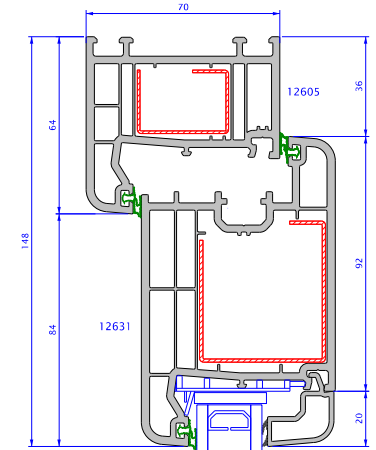
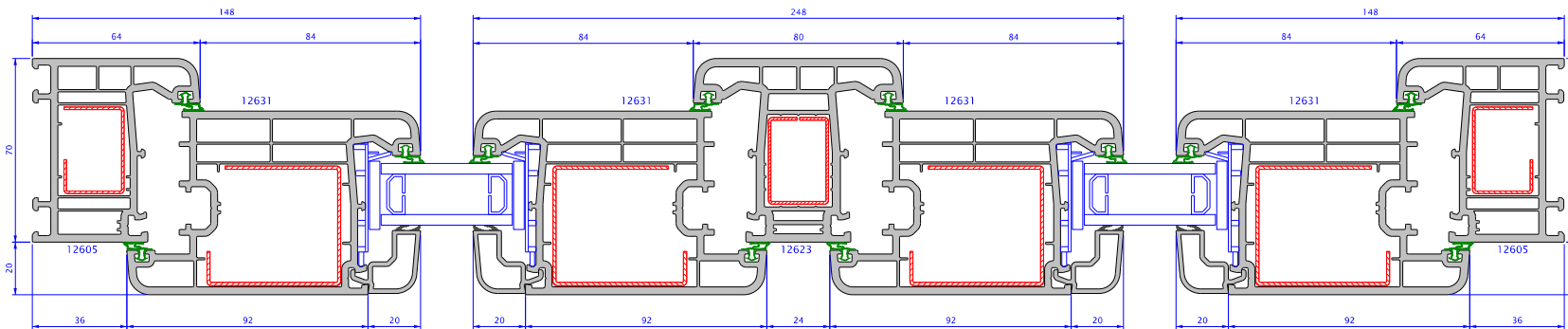


B - B

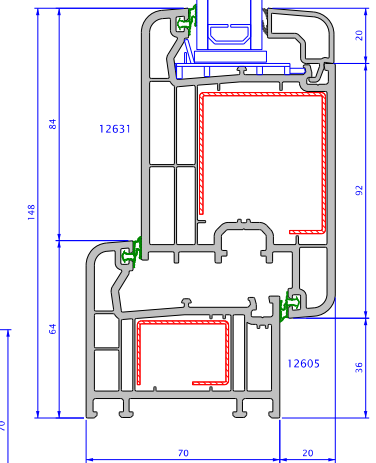


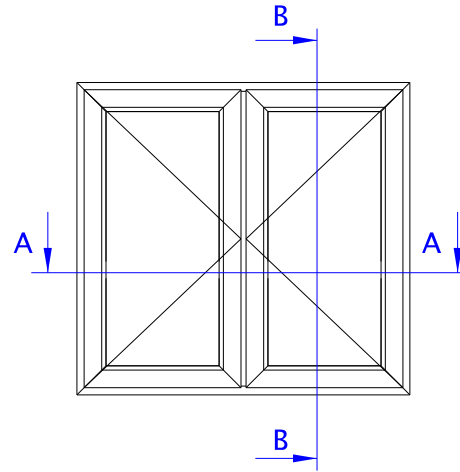


A - A

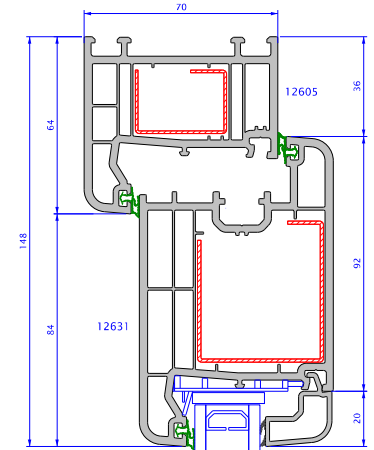
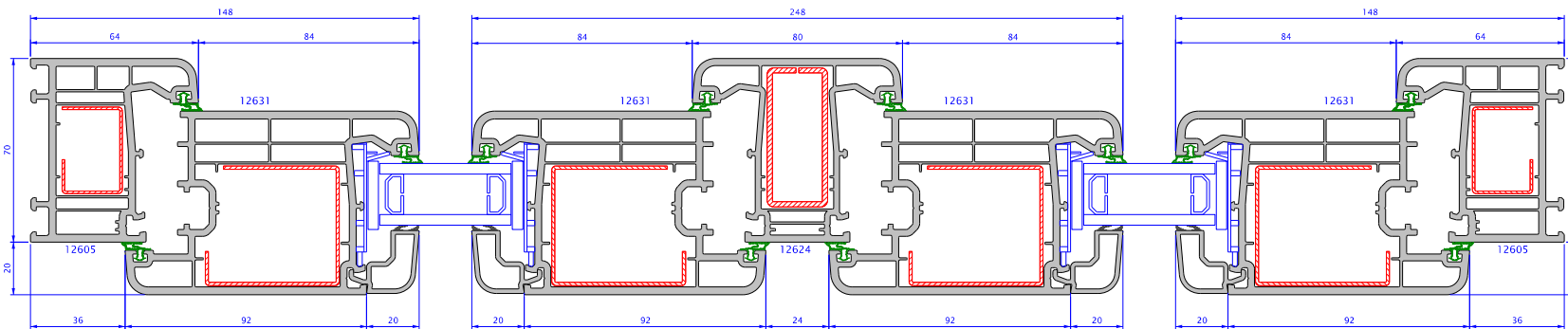


B - B

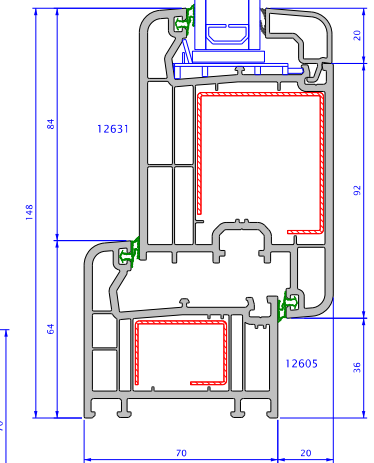


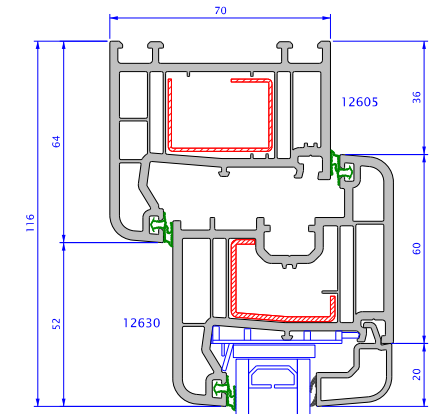
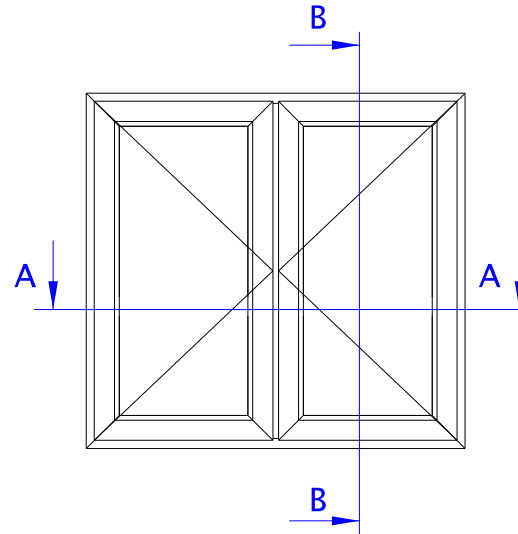


A - A

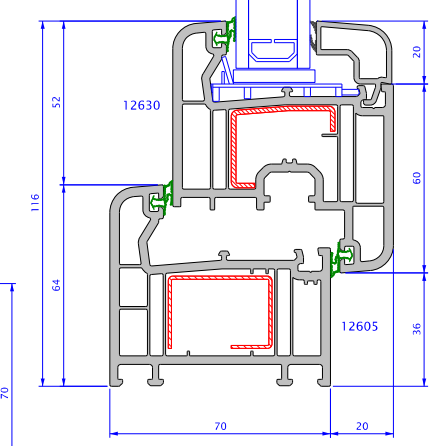


B - B

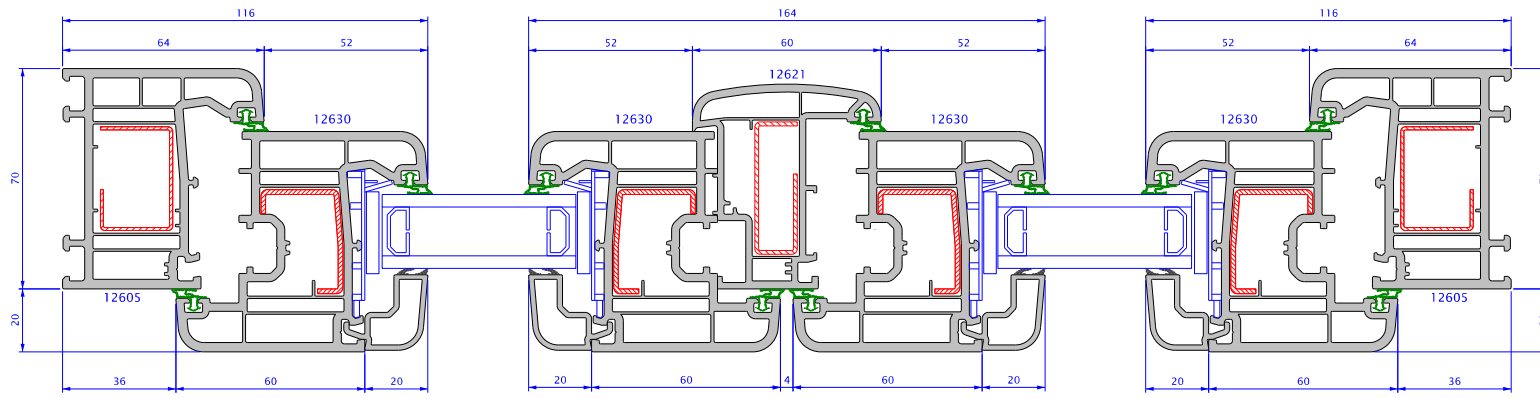


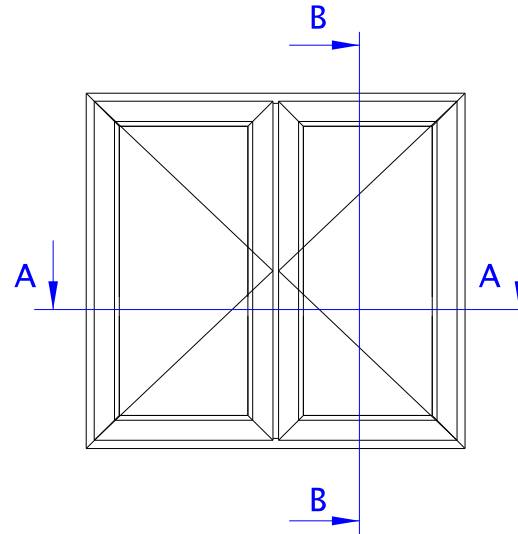


B - B

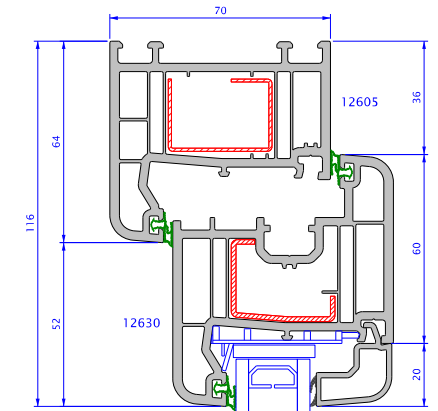
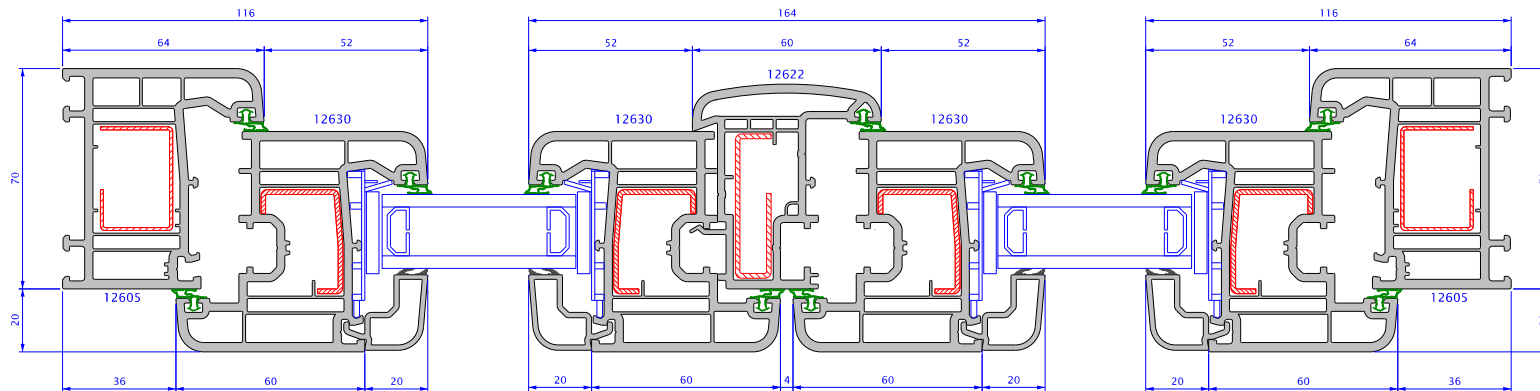


A - A

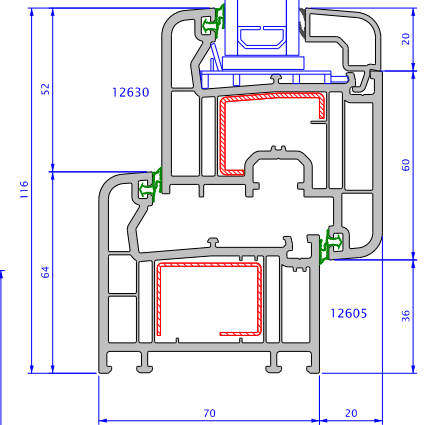


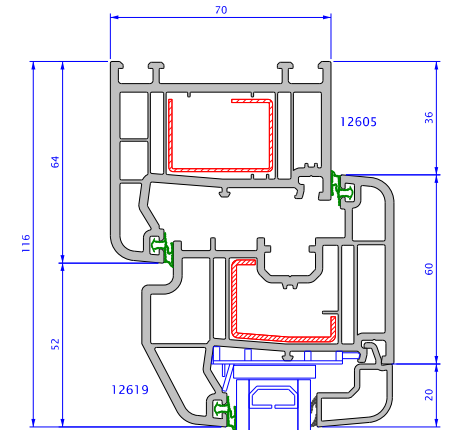
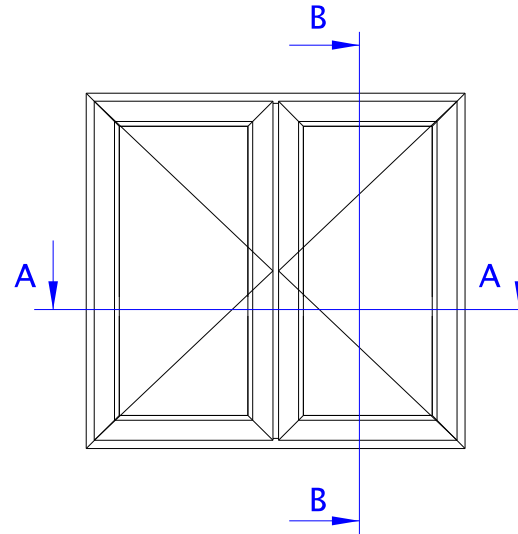


A - A

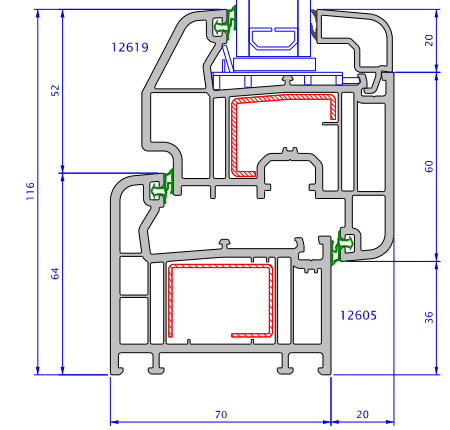


B - B

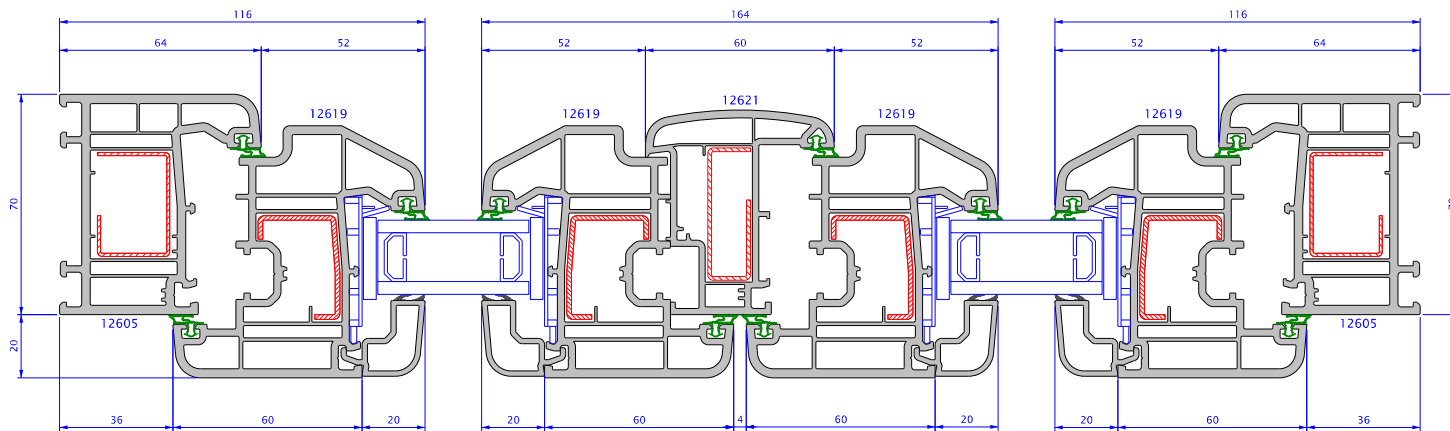


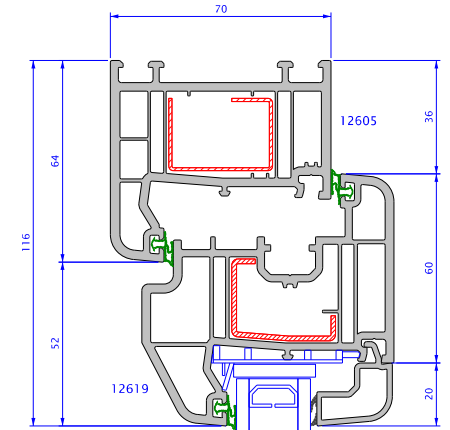
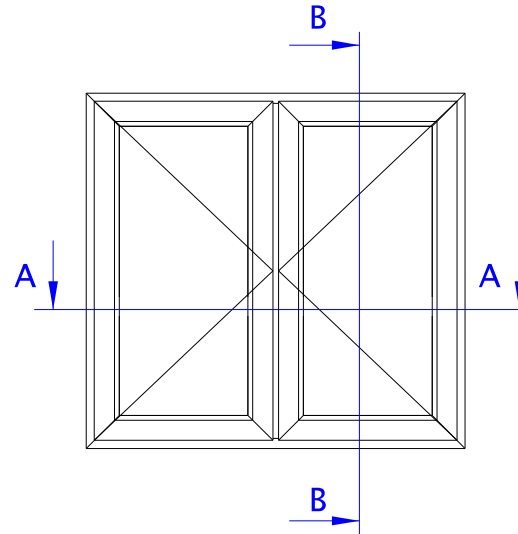


B - B

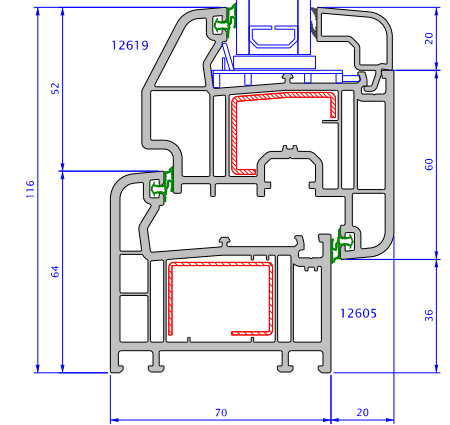


A - A

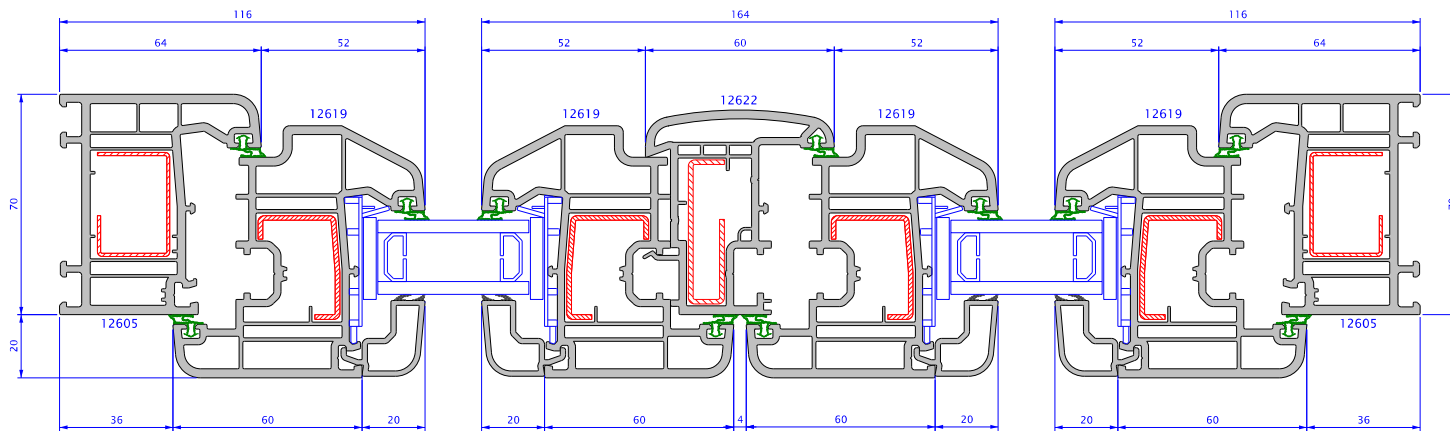


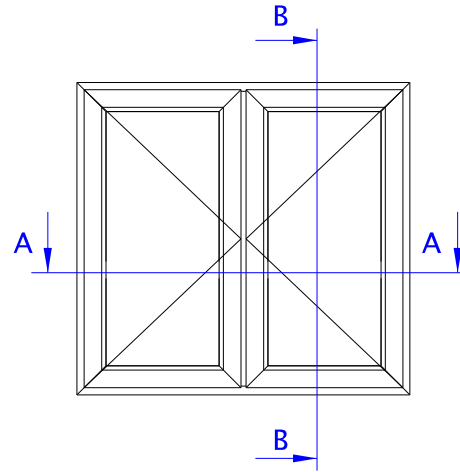


B - B

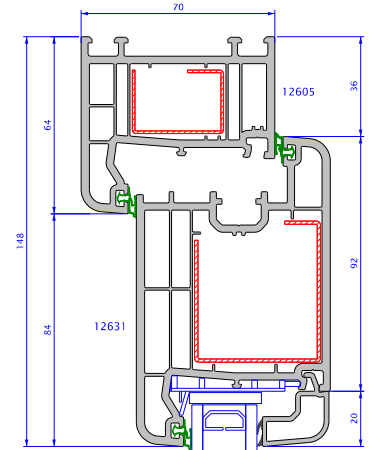
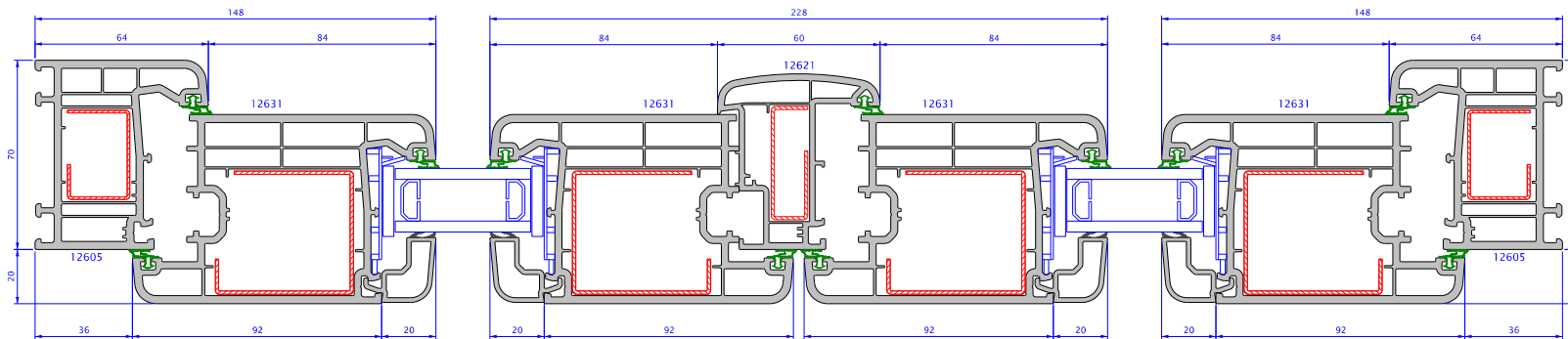


A - A

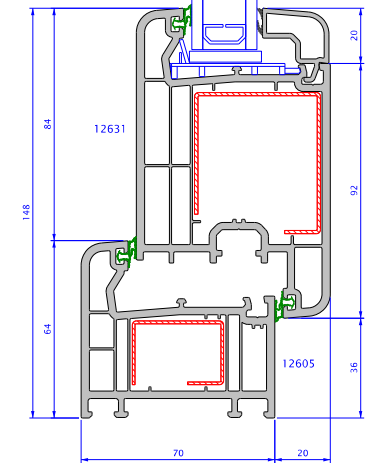


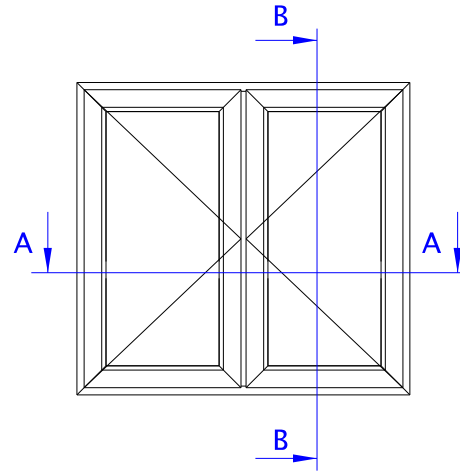


A - A

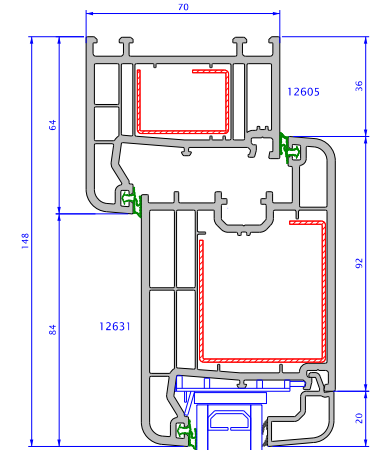
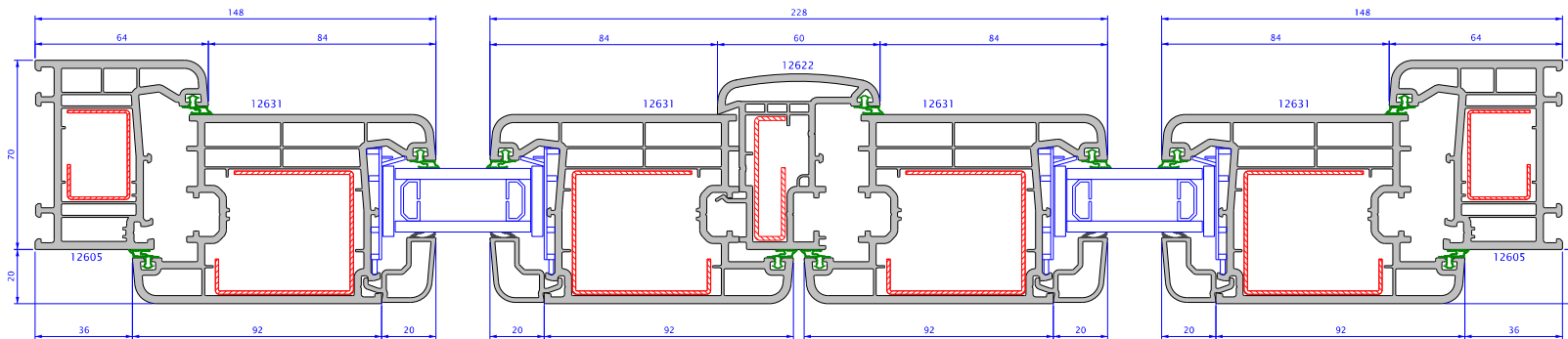


B - B





A - A



B - B

